

## Installation Instructions



### End Wheel No-Till Drill Harrow Option

Used with:

- 706
- 1006



*When you see this symbol, the subsequent instructions and warnings are serious - follow without exception. Your life and the lives of others depend on it!*

## General Information

These instructions explain how to install the Harrow Option.

These instructions apply to:

- |          |                      |
|----------|----------------------|
| 116-278A | 706 Harrow Assembly  |
| 116-279A | 1006 Harrow Assembly |

### Manual Update

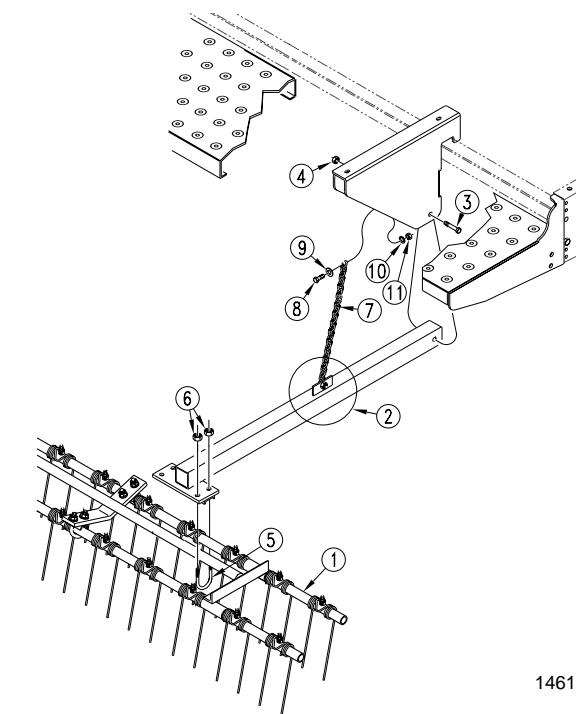
Refer to the End Wheel No-Till Drill operator's manual for detailed information on safely operating, adjusting, troubleshooting and maintaining the Harrow Option. Refer to the parts manual for part identification.

- |          |                   |
|----------|-------------------|
| 150-285M | Operator's Manual |
| 150-285P | Parts Manual      |

## Assembly Instructions

*Refer to Figure 1*

1. Set the drill in field position and place the harrow frame assemblies (1) behind the drill. Locate the assemblies so the ends of the tine tubes are centered on the path made by the openers.
2. Install the harrow arms (2) so they pivot on the 1/2" x 3 1/4" bolt (3). Secure pivot bolt with a 1/2" nylock nut (4).
3. Attach the lower ends of the harrow arms (2) to the harrow assemblies (1) using the 1/2" x 1 3/8" x 3" round bottom U-bolts (5) and nylock nuts (6). Choose the angle of the harrow frame and hold this position by tightening the U-bolts.
4. Attach the chain (7), which is attached to the harrow arm, between the tab on the walk-board supports and the harrow arms with the 3/8" x 1 1/2" long bolts (8), flat washers (9), lock washers (10) and nuts (11).



14613

**Figure 1  
Assembly**

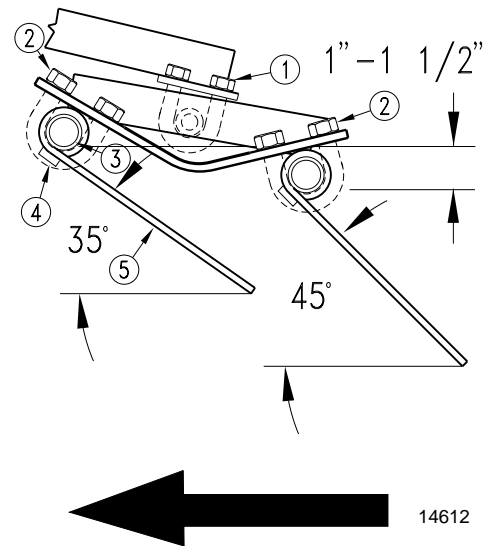
## 2 | Harrow Option

### Setting the Angle

Refer to Figure 2

1. Adjust the angle of the tines to match your needs. Start by loosening the 1/2" x 1 3/8" x 2 3/4" round bottom U-bolts (1 and 2) which hold the tine tubes to the frame and frame to the harrow arms.
2. Rotate the tubes (3) so the tine bolts (4) are against the tines (5) and the tines are at the desired angle and tighten the tine bar U-bolts (2).
3. Rotate the frame assembly to the desired angle and tighten the U-bolts (1) which connect the frame assembly to the arms.

NOTE: Figure 2 shows one harrow setting that has proven successful in no till and minimum till conditions. Your field conditions may differ because of moisture, soil types and levels of trash. Some adjustment of the tine tubes and/or harrow frames may be required.



**Figure 2**  
Suggested Spring Angles  
(Arrow shows direction of travel)

### 116-278A 706 Harrow Assembly

Your kit includes:

Qty.	Part No.	Part Description
1	116-068K	14' SPRING HARROW ASSEMBLY
1	116-155K	12'EWNT HARROW ARM ASSEMBLY
1	116-280M	706/1006 HARROW MANUAL

### 116-279A 1006 Harrow Assembly

Your kit includes:

Qty.	Part No.	Part Description
1	116-070K	20' SPRING HARROW ASSEMBLY
1	116-155K	12'EWNT HARROW ARM ASSEMBLY
1	116-280M	706/1006 HARROW MANUAL