



**Great Plains**

Manufacturing, Inc.  
www.greatplainsmfg.com

## *Seed, Small Seeds and Fertilizer Rate Charts*

The following pages are to assist in the proper setting of seeding and fertilizer rates for the 12-, 15- and 20-foot Three-Point drills, models 1200, 1210, 1220, 1500, 1510, 1520, 2000, 2010 and 2020.

The rates indicated in the charts are approximate values. To assure the most accurate seeding rate it is recommended that the drill be calibrated for the desired seed at the time of planting.



## Table of Contents

<b>Main Seed Box Planting.....</b>	<b>1</b>	<b>Fertilizer Rate .....</b>	<b>15</b>
Select Drive Type.....	1	Fertilizer Rate Chart.....	16
Set Seed Rate Handle .....	2	Rates in Pounds per Acre .....	16
Position Seed Cup Doors.....	2	Density Conversion Charts .....	16
Checking Main Box Seed Rate .....	3	<b>Metric Rate Charts .....</b>	<b>17</b>
Rate Charts, Main Seed Box .....	4	Metric Rate Charts, Main Seed Box.....	17
Alfalfa or Rape .....	4	Alfalfa or Rape .....	17
Barley (1 of 3).....	4	Barley (1 of 3) .....	17
Buckwheat.....	5	Buckwheat .....	18
Buffalograss (1 of 4).....	5	Buffalograss (1 of 4).....	18
Flax or Sudan .....	6	Flax or Sudan.....	19
Millet.....	6	Millet.....	19
Milo.....	6	Milo .....	20
Peas .....	7	Peas .....	20
Pinto Beans.....	7	Pinto Beans.....	20
Rice, Short Grain (1 of 2) .....	7	Rice, Short Grain (1 of 2) .....	21
Rice, Long Grain (1 of 4).....	8	Rice, Long Grain (1 of 4).....	21
Rye.....	9	Rye.....	22
Soybeans (1 of 4).....	9	Soybeans (1 of 4).....	22
Sunflower .....	10	Sunflower .....	23
Wheat (1 of 2) .....	10	Wheat (1 of 2) .....	24
Wheatgrass .....	11	Wheatgrass .....	24
<b>Small Seeds Attachment .....</b>	<b>12</b>	Metric Rate Charts, Small Seeds Box.....	25
Small Seeds Cup Lever Adjustment .....	12	Alfalfa, Red Alsike, Crimson Clover .....	25
Small Seeds Rate Charts.....	13	Kentucky Bluegrass,	
Alfalfa, Red Alsike, Crimson Clover .....	13	Fescue, Annual Rye Grass .....	25
Kentucky Bluegrass,		Bermuda, Red Top, Lespedeza Unhulled,	
Fescue, Annual Rye Grass .....	13	Sercia, Sand, Weeping Love Grass .....	25
Bermuda, Red Top, Lespedeza Unhulled,		Red & Sweet Clover, Lespedeza Hulled .....	25
Sercia, Sand, Weeping Love Grass .....	13	Orchard Grass .....	26
Red & Sweet Clover, Lespedeza Hulled .....	13	Millet, Reed Canary .....	26
Orchard Grass.....	14	Ladino Clover, Canary Grass,	
Millet, Reed Canary.....	14	Timothy, Canola.....	26
Ladino Clover, Canary Grass,		Birdsfoot, Trefoil, Sudan .....	26
Timothy, Canola .....	14	Metric Fertilizer Rate.....	27
Birdsfoot, Trefoil, Sudan.....	14	Metric Fertilizer Rate Chart .....	27
		Density Conversion Chart .....	27

© Copyright 2004, 2007, 2008 All rights Reserved

Great Plains Manufacturing, Inc. provides this publication "as is" without warranty of any kind, either expressed or implied. While every precaution has been taken in the preparation of this manual, Great Plains Manufacturing, Inc. assumes no responsibility for errors or omissions. Neither is any liability assumed for damages resulting from the use of the information contained herein. Great Plains Manufacturing, Inc. reserves the right to revise and improve its products as it sees fit. This publication describes the state of this product at the time of its publication, and may not reflect the product in the future.

Great Plains Manufacturing, Incorporated Trademarks

The following are trademarks of Great Plains Mfg., Inc.: Application Systems, Ausherman, Land Pride, Great Plains

All other brands and product names are trademarks or registered trademarks of their respective holders.

Printed in the United States of America.

# Main Seed Box Planting

Calibrating the seeding rate requires four steps:

1. selecting one of four drive types,
2. setting the seed-rate handle,
3. positioning the feed-cup door, and
4. checking the seed rate.

Refer to the seed rate charts beginning on page 4. These charts list the proper drive type and seed-rate-handle settings for various seeds and seeding rates.

The seed rate charts are based on cleaned, untreated seed of average size and test weight. The rates are based on 9.5L x 15 rib implement gauge-wheel tires on the 12- and 15-foot drills and 11L x 15 rib implement tires on the 20-foot drills.

Many factors affect seeding rates, including foreign material, seed treatment, seed size, field conditions, tire pressure and test weight. Minor adjustments are likely to be needed. Set and check the seeding rate using the procedures beginning on page 12, then adjust the rate as necessary.

## Select Drive Type

Refer to Figure 1

The gearbox is designed to give you a variety of drive speeds for different types of seeds and rates. It is a linear shift pattern design with constant mesh gearing and totally sealed to keep the dirt out. No lubrication is required unless service is needed.

Note: If your drill has more than one gearbox, make sure both are shifted to the same drive type.

To set the gearbox move the selector handle ① until the desired drive type appears in the window ② on the handle.

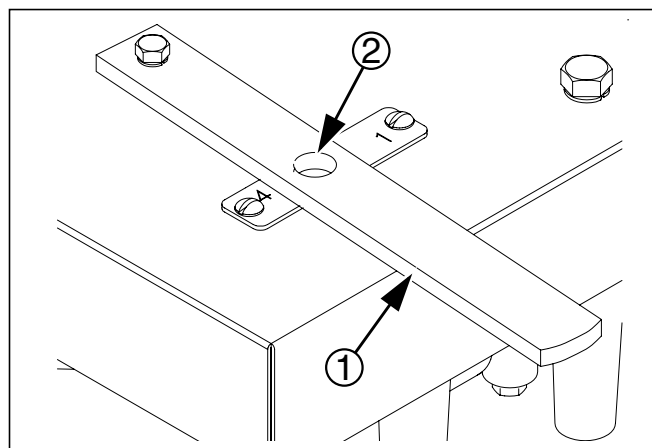


Figure 1  
Gearbox Handle Adjustment

12095

### Gear Box Ratios

Setting 2 is 2.06 Times Faster Than 1

Setting 3 is 3.08 Times Faster Than 1

Setting 4 is 5.03 Times Faster Than 1

## Set Seed Rate Handle

Refer to Figure 2

There are identical seed rate handles for each drill box. Generally, all need to be set identically. You can stop seed flow to one section of the drill by setting a handle to zero (for point-row planting, for example).

The seed rate handle controls the percent engagement of the seed sprocket in each seed cup.

1. Loosen wing nut ① under handle.
2. Set indicator ② to just past value from seed rate chart.
3. Tighten wing nut.

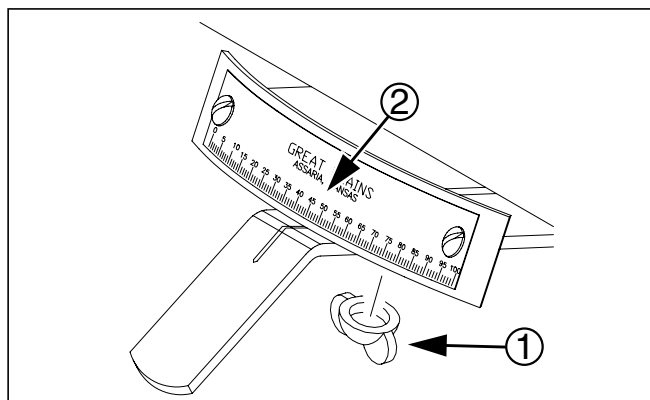


Figure 2  
Seed Rate Handle

12927

## Position Seed Cup Doors

Refer to Figure 3,  
which depicts the seed cup door handle in position ③.

At each seed box seed tube, adjust the seed cup door handle ④ for the seed size.

The handle has three normal operating position detents:

- ① (top detent) is for the smallest seeds.  
Use it for wheat and similar small seeds.
- ② (middle detent) is for larger seeds.  
Use it for soybeans and similar larger seeds.
- ③ (bottom detent) is for oversize or fragile seeds.  
If you experience excessive cracking with setting ②, use setting ③.

Note: Handle position ⑤ is used for cleanout, not planting. If set to this position with seed loaded, it may be difficult to reset it to a normal operating position.

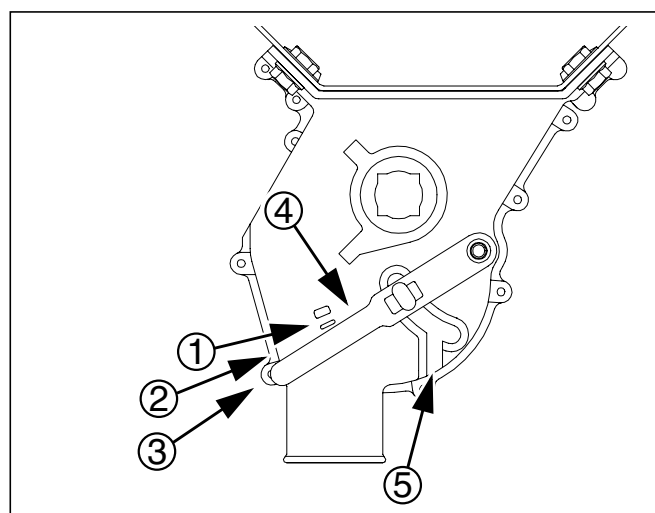


Figure 3  
Seed Cup Door Handle

26211

## Checking Main Box Seed Rate

### Check Seeding Rate

1. Record weight of an empty container large enough to hold seed metered for one acre.
2. Place several pounds of seed over three seed cups on an outside end of drill box. Pull seed tubes off these three openers.
3. Raise drill off the ground. If using a hitch, insert transport lock pins or turn 90° hydraulic lock valve, depending on hitch style.
4. Turn drive gauge wheel a few turns to fill cups with seed. Turn wheel until seed drops to the ground from all three cups.
5. Place a container under the three seed tubes to gather seed as it is metered.
6. Turn drive gauge wheel for one acre:  
 450 rotations on a 12-foot drill,  
 364 rotations on a 15-foot drill, or  
 283 rotations on a 20-foot drill.  
 Check that the three seed cups have plenty of seed coming into them.
7. Weigh the metered seed. Subtract initial weight of the empty container. Divide by three for the amount metered by each seed cup, then multiply by the number of drill openers for the pounds-per-acre seeding rate. If this figure is different than desired, adjust seed-rate handle and recheck the rate.

Drill Model	Revolutions for One	
	Acre	Hectare
<b>12-foot</b>	450	1112
<b>15-foot</b>	364	900
<b>20-foot</b>	283	699

Note: If your results vary greatly from the charts, you may want to repeat the calibration procedure.

8. When drilling, note acres drilled, amount of seed added and level of seed in drill box. If you are seeding more or less than desired, adjust seeding rate slightly to compensate for field conditions.

## Rate Charts, Main Seed Box

Metric charts begin on page 17.

### Alfalfa or Rape

(based on 60 pounds/bushel)

Drive Type 1	Seed Rate Handle Setting																				
	0	5	10	15	20	25	30	35	40	45	50	55	60	65	70	75	80	85	90	95	100
<b>Rows</b>	<b>Seed Rate in Pounds Per Acre</b>																				
<b>6 inch</b>	0	6	8	12	15	19	23	27	32	37	41	45	50	54	59	63	69	74	79	82	84
<b>7 inch</b>	0	5	7	10	13	16	20	23	27	32	35	38	43	47	51	54	59	63	68	70	72
<b>7.5 inch</b>	0	4	7	10	12	15	18	22	25	29	33	36	40	43	47	51	55	59	63	65	67
<b>8 inch</b>	0	4	6	9	12	14	17	20	24	28	31	34	37	41	44	47	52	55	60	61	63
<b>10 inch</b>	0	3	5	7	9	12	14	16	19	22	25	27	30	33	35	38	41	44	48	49	50

### Barley (1 of 3)

(based on 51 pounds/bushel)

Drive Type 1	Seed Rate Handle Setting																				
	0	5	10	15	20	25	30	35	40	45	50	55	60	65	70	75	80	85	90	95	100
<b>Rows</b>	<b>Seed Rate in Pounds Per Acre</b>																				
<b>6 inch</b>	0	5	8	11	14	18	22	26	30	35	39	43	48	53	57	62	66	69	73	73	74
<b>7 inch</b>	0	4	7	9	12	16	19	22	26	30	33	37	41	45	49	53	56	59	62	63	63
<b>7.5 inch</b>	0	4	6	9	12	15	18	21	24	28	31	35	38	42	46	49	52	55	58	59	59
<b>8 inch</b>	0	3	6	8	11	14	17	20	23	26	29	32	36	40	43	46	49	52	54	55	55
<b>10 inch</b>	0	3	5	6	9	11	13	16	18	21	23	26	29	32	34	37	39	42	44	44	44

### Barley (2 of 3)

(based on 51 pounds/bushel)

Drive Type 2	Seed Rate Handle Setting																				
	0	5	10	15	20	25	30	35	40	45	50	55	60	65	70	75	80	85	90	95	100
<b>Rows</b>	<b>Seed Rate in Pounds Per Acre</b>																				
<b>6 inch</b>	0	9	16	22	30	37	45	54	62	71	76	87	96	104	114	123	133	142	152	154	156
<b>7 inch</b>	0	7	14	19	26	32	39	46	53	61	68	75	82	89	97	105	114	122	130	132	134
<b>7.5 inch</b>	0	7	13	17	24	30	36	43	49	57	64	70	77	83	91	98	106	114	121	123	125
<b>8 inch</b>	0	7	12	16	22	28	34	40	46	53	60	65	72	78	85	92	100	107	114	116	117
<b>10 inch</b>	0	5	10	13	18	22	27	32	37	43	48	52	58	63	68	74	80	85	91	92	94

### Barley (3 of 3)

(based on 51 pounds/bushel)

Drive Type 4	Seed Rate Handle Setting																				
	0	5	10	15	20	25	30	35	40	45	50	55	60	65	70	75	80	85	90	95	100
<b>Rows</b>	<b>Seed Rate in Pounds Per Acre</b>																				
<b>6 inch</b>	0	21	39	53	73	90	110	131	151	174	194	213	234	255	278	300	325	348	371	377	382
<b>7 inch</b>	0	18	33	45	63	78	95	113	130	149	166	182	201	218	238	257	278	299	318	323	328
<b>7.5 inch</b>	0	17	31	42	58	72	88	105	121	139	155	170	188	204	222	240	260	279	297	301	306
<b>8 inch</b>	0	16	29	40	55	68	83	99	113	130	146	160	176	191	208	225	244	261	278	282	287
<b>10 inch</b>	0	13	23	32	44	54	66	79	91	104	117	128	141	153	167	180	195	209	222	226	230

## Rate Charts, Main Seed Box, continued...

### Buckwheat

(based on 48 pounds/bushel)

Drive Type	Seed Rate Handle Setting																				
	0	5	10	15	20	25	30	35	40	45	50	55	60	65	70	75	80	85	90	95	100
<b>3</b>																					
Rows	Seed Rate in Pounds Per Acre																				
<b>6 inch</b>	0.0	11	21	29	42	52	65	78	92	107	123	136	150	165	180	195	209	224	240	242	245
<b>7 inch</b>	0	10	18	25	36	45	56	67	79	92	106	116	129	142	154	168	179	192	205	207	210
<b>7.5 inch</b>	0	9	17	24	34	42	52	62	74	85	99	109	120	132	144	156	167	179	192	194	196
<b>8 inch</b>	0	8	16	22	31	39	49	59	69	80	92	102	113	124	135	147	157	168	180	181	183
<b>10 inch</b>	0	7	13	18	25	31	39	47	55	64	74	81	90	99	108	117	126	134	144	145	147

### Buffalograss (1 of 4)

(based on 23 pounds/bushel)

Drive Type	Seed Rate Handle Setting																				
	0	5	10	15	20	25	30	35	40	45	50	55	60	65	70	75	80	85	90	95	100
<b>1</b>																					
Rows	Seed Rate in Pounds Per Acre																				
<b>6 inch</b>	0	2	3	4	5	7	8	10	12	14	16	18	19	21	22	23	23	25	25	26	25
<b>7 inch</b>	0	1	2	3	4	6	7	9	10	12	13	15	16	18	19	20	21	21	22	22	22
<b>7.5 inch</b>	0	1	2	3	4	5	7	8	10	11	13	14	15	17	18	19	20	20	20	20	20
<b>8 inch</b>	0	1	2	3	4	5	6	8	9	10	12	13	14	16	17	18	18	19	19	19	19
<b>10 inch</b>	0	1	2	2	3	4	5	6	7	8	9	11	12	12	13	14	15	15	15	15	15

### Buffalograss (2 of 4)

(based on 23 pounds/bushel)

Drive Type	Seed Rate Handle Setting																				
	0	5	10	15	20	25	30	35	40	45	50	55	60	65	70	75	80	85	90	95	100
<b>2</b>																					
Rows	Seed Rate in Pounds Per Acre																				
<b>6 inch</b>	0	3	5	8	11	14	17	21	25	29	32	36	39	43	46	48	50	51	52	52	52
<b>7 inch</b>	0	3	4	7	9	12	15	18	21	24	28	31	34	37	39	41	43	44	45	45	44
<b>7.5 inch</b>	0	2	4	6	8	11	14	17	20	23	26	29	32	34	36	38	40	41	42	42	41
<b>8 inch</b>	0	2	4	6	8	10	13	16	19	21	24	27	30	32	34	36	38	39	39	39	39
<b>10 inch</b>	0	2	3	5	6	8	10	13	15	17	19	22	24	26	27	29	30	31	31	31	31

### Buffalograss (3 of 4)

(based on 23 pounds/bushel)

Drive Type	Seed Rate Handle Setting																				
	0	5	10	15	20	25	30	35	40	45	50	55	60	65	70	75	80	85	90	95	100
<b>3</b>																					
Rows	Seed Rate in Pounds Per Acre																				
<b>6 inch</b>	0	6	8	11	15	20	25	30	36	42	48	53	59	64	69	73	76	79	80	81	80
<b>7 inch</b>	0	5	7	10	13	17	21	26	31	36	41	46	50	55	59	62	65	67	69	69	69
<b>7.5 inch</b>	0	5	7	9	12	16	20	24	29	34	38	43	47	51	55	58	61	63	64	65	64
<b>8 inch</b>	0	4	6	9	12	15	19	23	27	31	36	40	44	48	51	54	57	59	60	61	60
<b>10 inch</b>	0	3	5	7	9	12	15	18	22	25	29	32	36	38	41	44	46	47	48	48	48

## Rate Charts, Main Seed Box, continued...

### Buffalograss (4 of 4)

(based on 23 pounds/bushel)

Drive Type	Seed Rate Handle Setting																				
	0	5	10	15	20	25	30	35	40	45	50	55	60	65	70	75	80	85	90	95	100
<b>4</b>																					
Rows	Seed Rate in Pounds Per Acre																				
<b>6 inch</b>	0	9	13	19	25	33	41	50	59	68	78	87	96	104	112	118	124	128	131	131	130
<b>7 inch</b>	0	8	11	16	22	28	36	43	50	59	67	75	82	89	96	101	106	110	112	113	112
<b>7.5 inch</b>	0	7	11	15	20	26	33	40	47	55	62	70	77	83	90	95	99	102	104	105	104
<b>8 inch</b>	0	7	10	14	19	24	31	37	44	51	58	65	72	78	84	89	93	96	98	99	98
<b>10 inch</b>	0	6	8	11	15	20	25	30	35	41	47	52	58	63	67	71	74	77	78	79	78

### Flax or Sudan

(based on 55 pounds/bushel)

Drive Type	Seed Rate Handle Setting																				
	0	5	10	15	20	25	30	35	40	45	50	55	60	65	70	75	80	85	90	95	100
<b>1</b>																					
Rows	Seed Rate in Pounds Per Acre																				
<b>6 inch</b>	0	4	8	12	16	20	24	28	33	37	42	46	50	54	59	65	70	76	82	83	85
<b>7 inch</b>	0	3	7	10	14	17	21	24	28	32	36	39	43	47	51	55	60	65	70	71	73
<b>7.5 inch</b>	0	3	7	9	13	16	19	23	26	30	34	37	40	44	47	52	56	61	66	67	68
<b>8 inch</b>	0	3	6	9	12	15	18	21	25	28	31	34	37	41	44	49	52	57	61	62	64
<b>10 inch</b>	0	2	5	7	10	12	15	17	20	22	25	27	30	33	35	39	42	45	49	50	51

### Millet

(based on 60 pounds/bushel)

Drive Type	Seed Rate Handle Setting																				
	0	5	10	15	20	25	30	35	40	45	50	55	60	65	70	75	80	85	90	95	100
<b>1</b>																					
Rows	Seed Rate in Pounds Per Acre																				
<b>6 inch</b>	0	5	8	12	16	20	23	27	32	36	40	44	49	52	57	62	66	71	76	77	78
<b>7 inch</b>	0	4	7	10	13	17	20	23	27	31	34	38	42	45	49	53	57	61	65	66	67
<b>7.5 inch</b>	0	4	7	9	13	16	19	22	25	29	32	35	39	42	46	49	53	57	61	62	63
<b>8 inch</b>	0	4	6	9	12	15	18	20	24	27	30	33	36	39	43	46	50	53	57	58	59
<b>10 inch</b>	0	3	5	7	9	12	14	16	19	21	24	26	29	32	34	37	40	43	46	46	47

### Milo

(based on 64 pounds/bushel)

Drive Type	Seed Rate Handle Setting																				
	0	5	10	15	20	25	30	35	40	45	50	55	60	65	70	75	80	85	90	95	100
<b>1</b>																					
Rows	Seed Rate in Pounds Per Acre																				
<b>6 inch</b>	0	5	9	13	18	23	28	34	39	45	52	57	63	69	75	81	87	92	98	100	102
<b>7 inch</b>	0	4	8	11	15	19	24	29	34	38	44	49	54	59	64	69	74	79	84	86	88
<b>7.5 inch</b>	0	4	7	10	14	18	22	27	31	36	41	45	50	55	60	65	69	73	78	80	82
<b>8 inch</b>	0	4	7	10	13	17	21	25	29	34	39	43	47	52	56	61	65	69	73	75	77
<b>10 inch</b>	0	3	5	8	11	14	17	20	23	27	31	34	38	41	45	49	52	55	59	60	61

## Rate Charts, Main Seed Box, continued...

### Oats

(based on 37 pounds/bushel)

Drive Type	Seed Rate Handle Setting																				
	0	5	10	15	20	25	30	35	40	45	50	55	60	65	70	75	80	85	90	95	100
<b>3</b>																					
Rows	Seed Rate in Pounds Per Acre																				
<b>6 inch</b>	0	5	12	17	24	32	39	47	55	63	72	80	88	96	105	113	121	130	139	140	140
<b>7 inch</b>	0	5	10	15	21	27	33	40	47	54	62	68	76	82	90	97	104	111	119	120	120
<b>7.5 inch</b>	0	4	10	14	19	25	31	37	44	51	58	64	70	77	84	90	97	104	111	112	112
<b>8 inch</b>	0	4	9	13	18	24	29	35	41	47	54	60	66	72	78	85	91	97	104	105	105
<b>10 inch</b>	0	3	7	10	14	19	23	28	33	38	43	48	53	58	63	68	73	78	83	84	84

### Peas

(based on 61 pounds/bushel)

Drive Type	Seed Rate Handle Setting																				
	0	5	10	15	20	25	30	35	40	45	50	55	60	65	70	75	80	85	90	95	100
<b>3</b>																					
Rows	Seed Rate in Pounds Per Acre																				
<b>6 inch</b>	0	0	19	34	52	69	84	102	119	137	154	169	186	202	218	235	251	266	281	283	284
<b>7 inch</b>	0	0	16	29	45	59	72	87	102	118	132	145	160	173	187	202	215	228	241	243	244
<b>7.5 inch</b>	0	0	15	27	42	55	67	82	95	110	123	136	149	161	175	188	201	213	225	226	227
<b>8 inch</b>	0	0	14	26	39	52	63	76	89	103	116	127	140	151	164	177	188	200	211	212	213
<b>10 inch</b>	0	0	11	20	31	41	50	61	71	82	93	102	112	121	131	141	151	160	169	170	171

### Pinto Beans

(based on 51 pounds/bushel)

Drive Type	Seed Rate Handle Setting																				
	0	5	10	15	20	25	30	35	40	45	50	55	60	65	70	75	80	85	90	95	100
<b>1</b>																					
Rows	Seed Rate in Pounds Per Acre																				
<b>6 inch</b>	0	0	9	13	17	24	30	35	41	47	53	58	64	69	74	81	85	91	97	96	96
<b>7 inch</b>	0	0	7	11	15	20	25	30	35	40	45	50	55	59	64	69	73	78	83	83	83
<b>7.5 inch</b>	0	0	7	10	14	19	24	28	33	38	42	47	51	55	60	65	68	73	77	77	77
<b>8 inch</b>	0	0	6	10	13	18	22	27	31	35	40	44	48	52	56	61	64	68	72	72	72
<b>10 inch</b>	0	0	5	8	10	14	18	21	25	28	32	35	38	41	45	49	51	54	58	58	58

### Rice, Short Grain (1 of 2)

(based on 43 pounds/bushel)

Drive Type	Seed Rate Handle Setting																				
	0	5	10	15	20	25	30	35	40	45	50	55	60	65	70	75	80	85	90	95	100
<b>3</b>																					
Rows	Seed Rate in Pounds Per Acre																				
<b>6 inch</b>	0	11	18	28	38	46	56	64	73	84	96	107	117	128	139	148	167	165	174	174	174
<b>7 inch</b>	0	9	16	24	33	39	48	54	63	72	82	92	101	110	119	127	134	142	149	149	149
<b>7.5 inch</b>	0	9	14	23	31	37	44	51	59	67	77	85	94	102	111	118	125	132	139	139	139
<b>8 inch</b>	0	8	14	21	29	34	42	48	55	63	72	80	88	96	104	111	117	124	131	131	131
<b>10 inch</b>	0	7	11	17	23	27	33	38	44	50	57	64	70	77	83	89	94	99	105	105	105

## Rate Charts, Main Seed Box, continued...

### Rice, Short Grain (2 of 2)

(based on 43 pounds/bushel)

Drive Type 4	Seed Rate Handle Setting																				
	0	5	10	15	20	25	30	35	40	45	50	55	60	65	70	75	80	85	90	95	100
<b>Rows</b>	<b>Seed Rate in Pounds Per Acre</b>																				
6 inch	0	18	29	46	63	74	91	104	120	137	156	174	191	209	226	241	255	269	284	284	284
7 inch	0	15	25	40	54	64	78	89	103	117	134	149	164	179	194	207	219	231	243	243	243
7.5 inch	0	14	24	37	50	60	72	83	96	109	125	139	153	167	181	193	204	215	227	227	227
8 inch	0	13	22	35	47	56	68	78	90	102	117	131	143	156	169	181	191	202	213	213	213
10 inch	0	11	18	28	38	45	54	62	72	82	94	105	115	125	136	145	153	162	170	170	170

### Rice, Long Grain (1 of 4)

(based on 47 pounds/bushel)

Drive Type 1	Seed Rate Handle Setting																				
	0	5	10	15	20	25	30	35	40	45	50	55	60	65	70	75	80	85	90	95	100
<b>Rows</b>	<b>Seed Rate in Pounds Per Acre</b>																				
6 inch	0	1.4	4.4	7.4	10.4	13.7	16.8	19.8	22.9	26.1	31.6	32.1	35.1	38.1	41.1	44.3	46.8	49.4	51.5	52.9	53.9
7 inch	0	1.2	3.8	6.3	8.9	11.7	14.4	17.0	19.7	22.4	27.1	27.5	30.1	32.7	35.2	38.0	40.1	42.4	44.2	45.3	46.2
7.5 inch	0	1.1	3.6	5.9	8.3	10.9	13.5	15.9	18.4	20.9	25.3	25.7	28.1	30.5	32.9	35.4	37.5	39.5	41.2	42.3	43.1
8 inch	0	1.1	3.3	5.5	7.8	10.2	12.6	14.9	17.2	19.6	23.7	24.1	26.3	28.6	30.8	33.2	35.1	37.1	38.6	39.7	40.4
10 inch	0	0.8	2.7	4.4	6.2	8.2	10.1	11.9	13.8	15.7	19.0	19.3	21.1	22.9	24.7	26.6	28.1	29.7	30.9	31.7	32.3

### Rice, Long Grain (2 of 4)

(based on 47 pounds/bushel)

Drive Type 2	Seed Rate Handle Setting																				
	0	5	10	15	20	25	30	35	40	45	50	55	60	65	70	75	80	85	90	95	100
<b>Rows</b>	<b>Seed Rate in Pounds Per Acre</b>																				
6 inch	0	3	9	15	21	28	35	41	47	54	65	66	72	78	85	91	96	102	106	109	111
7 inch	0	3	8	13	18	24	30	35	40	46	56	57	62	67	72	78	83	87	91	93	95
7.5 inch	0	2	7	12	17	23	28	33	38	43	52	53	58	63	68	73	77	81	85	87	89
8 inch	0	2	7	11	16	21	26	31	35	40	49	50	54	59	63	68	72	76	80	82	83
10 inch	0	2	6	9	13	17	21	25	28	32	39	40	43	47	51	55	58	61	64	65	67

### Rice, Long Grain (3 of 4)

(based on 47 pounds/bushel)

Drive Type 3	Seed Rate Handle Setting																				
	0	5	10	15	20	25	30	35	40	45	50	55	60	65	70	75	80	85	90	95	100
<b>Rows</b>	<b>Seed Rate in Pounds Per Acre</b>																				
6 inch	0	0	13	22	32	42	53	61	71	81	90	98	107	116	125	135	144	153	161	167	173
7 inch	0	0	11	19	27	36	45	53	61	69	77	84	91	99	107	116	124	131	138	143	148
7.5 inch	0	0	11	17	25	34	42	49	57	65	72	79	85	92	100	108	116	123	129	134	138
8 inch	0	0	10	16	24	31	40	46	53	61	67	74	80	87	94	101	108	115	121	125	130
10 inch	0	0	8	13	19	25	32	37	42	49	54	59	64	69	75	81	87	92	97	100	104

## Rate Charts, Main Seed Box, continued...

### Rice, Long Grain (4 of 4)

(based on 47 pounds/bushel)

Drive Type	Seed Rate Handle Setting																				
	0	5	10	15	20	25	30	35	40	45	50	55	60	65	70	75	80	85	90	95	100
<b>4</b>																					
Rows	Seed Rate in Pounds Per Acre																				
<b>6 inch</b>	0	0	22	35	52	68	86	100	115	132	146	160	174	188	204	220	235	250	263	273	282
<b>7 inch</b>	0	0	18	30	44	59	74	86	99	113	125	137	149	161	175	188	202	214	225	234	242
<b>7.5 inch</b>	0	0	17	28	41	55	69	80	92	105	117	128	139	151	163	176	188	200	210	218	226
<b>8 inch</b>	0	0	16	27	39	51	65	75	87	99	110	120	130	141	153	165	177	187	197	204	211
<b>10 inch</b>	0	0	13	21	31	41	52	60	69	79	88	96	104	113	123	132	141	150	158	164	169

### Rye

(based on 57 pounds/bushel)

Drive Type	Seed Rate Handle Setting																				
	0	5	10	15	20	25	30	35	40	45	50	55	60	65	70	75	80	85	90	95	100
<b>1</b>																					
Rows	Seed Rate in Pounds Per Acre																				
<b>6 inch</b>	0	3	8	13	19	24	28	35	41	47	53	58	63	68	74	81	87	94	101	102	102
<b>7 inch</b>	0	2	7	11	16	21	24	30	35	40	45	50	54	59	63	69	74	80	87	87	88
<b>7.5 inch</b>	0	2	6	10	15	19	22	28	33	38	42	46	50	55	59	64	69	75	81	81	82
<b>8 inch</b>	0	2	6	10	14	18	21	26	31	35	40	44	47	51	55	60	65	70	76	76	77
<b>10 inch</b>	0	2	5	8	11	14	17	21	24	28	32	35	38	41	44	48	52	56	61	61	61

### Soybeans (1 of 4)

(based on 58 pounds/bushel)

Drive Type	Seed Rate Handle Setting																				
	0	5	10	15	20	25	30	35	40	45	50	55	60	65	70	75	80	85	90	95	100
<b>1</b>																					
Rows	Seed Rate in Pounds Per Acre																				
<b>6 inch</b>	0	3	8	13	19	23	29	34	39	45	49	55	61	66	71	77	82	87	93	93	93
<b>7 inch</b>	0	2	7	11	17	20	25	29	34	38	42	48	52	57	61	67	70	75	79	80	80
<b>7.5 inch</b>	0	2	6	11	15	19	23	27	31	36	40	44	49	53	57	62	65	70	74	74	75
<b>8 inch</b>	0	2	6	10	15	17	22	25	29	34	37	42	46	50	54	58	61	65	69	70	70
<b>10 inch</b>	0	2	5	8	12	14	17	20	24	27	30	33	37	40	43	46	49	52	56	56	56

### Soybeans (2 of 4)

(based on 58 pounds/bushel)

Drive Type	Seed Rate Handle Setting																				
	0	5	10	15	20	25	30	35	40	45	50	55	60	65	70	75	80	85	90	95	100
<b>2</b>																					
Rows	Seed Rate in Pounds Per Acre																				
<b>6 inch</b>	0	6	16	27	40	48	59	69	80	92	102	114	125	136	147	158	167	179	190	191	192
<b>7 inch</b>	0	5	14	23	34	41	51	59	69	79	87	98	107	117	126	136	144	153	163	164	164
<b>7.5 inch</b>	0	5	13	22	32	38	47	55	64	73	81	91	100	109	118	127	134	143	152	153	153
<b>8 inch</b>	0	4	12	20	30	36	44	52	60	69	76	86	94	102	110	119	126	134	143	143	144
<b>10 inch</b>	0	4	10	16	24	29	35	42	48	55	61	68	75	82	88	95	101	107	115	115	115

## Rate Charts, Main Seed Box, continued...

### Soybeans (3 of 4)

(based on 58 pounds/bushel)

Drive Type	Seed Rate Handle Setting																				
	0	5	10	15	20	25	30	35	40	45	50	55	60	65	70	75	80	85	90	95	100
<b>3</b>																					
Rows	Seed Rate in Pounds Per Acre																				
<b>6 inch</b>	0	12	23	40	60	71	89	101	116	131	148	164	181	196	214	228	248	265	284	284	284
<b>7 inch</b>	0	10	19	35	51	61	76	87	100	113	127	141	155	168	183	195	213	227	244	243	244
<b>7.5 inch</b>	0	9	18	32	48	57	71	81	93	105	119	131	145	157	171	182	199	212	227	227	227
<b>8 inch</b>	0	9	17	30	45	53	67	76	87	99	111	123	136	147	160	171	186	199	213	213	213
<b>10 inch</b>	0	7	14	24	36	42	53	61	70	79	89	98	108	118	128	137	149	159	170	170	170

### Soybeans (4 of 4)

(based on 58 pounds/bushel)

Drive Type	Seed Rate Handle Setting																				
	0	5	10	15	20	25	30	35	40	45	50	55	60	65	70	75	80	85	90	95	100
<b>4</b>																					
Rows	Seed Rate in Pounds Per Acre																				
<b>6 inch</b>	0	19	37	66	97	115	145	165	190	214	241	267	295	320	348	371	405	433	463	463	464
<b>7 inch</b>	0	16	31	56	83	99	124	141	163	184	207	229	253	274	299	318	347	371	397	397	397
<b>7.5 inch</b>	0	15	29	53	78	92	116	132	152	171	193	214	236	256	279	297	324	346	370	371	371
<b>8 inch</b>	0	14	28	49	73	86	109	124	142	161	181	200	221	240	261	278	304	324	347	347	348
<b>10 inch</b>	0	11	22	40	58	69	87	99	114	128	145	160	177	192	209	223	243	260	278	278	278

### Sunflower

(based on 28 pounds/bushel)

Drive Type	Seed Rate Handle Setting																				
	0	5	10	15	20	25	30	35	40	45	50	55	60	65	70	75	80	85	90	95	100
<b>1</b>																					
Rows	Seed Rate in Pounds Per Acre																				
<b>6 inch</b>	0	0	2	4	6	8	11	13	15	18	20	23	25	27	30	32	34	36	38	39	41
<b>7 inch</b>	0	0	2	4	5	7	9	11	13	15	17	19	21	23	25	27	29	31	33	34	35
<b>7.5 inch</b>	0	0	2	3	5	7	9	10	12	14	16	18	20	22	24	26	27	29	31	32	33
<b>8 inch</b>	0	0	2	3	5	6	8	10	12	13	15	17	19	21	22	24	26	27	29	30	31
<b>10 inch</b>	0	0	1	3	4	5	6	8	9	11	12	14	15	16	18	19	20	22	23	24	24

### Wheat (1 of 2)

(based on 64 pounds/bushel)

Drive Type	Seed Rate Handle Setting																				
	0	5	10	15	20	25	30	35	40	45	50	55	60	65	70	75	80	85	90	95	100
<b>2</b>																					
Rows	Seed Rate in Pounds Per Acre																				
<b>6 inch</b>	0	13	22	30	40	50	57	70	80	91	105	115	127	140	152	164	177	190	203	205	206
<b>7 inch</b>	0	11	19	26	34	43	49	60	69	78	90	99	109	120	131	141	152	163	174	176	177
<b>7.5 inch</b>	0	10	18	24	32	40	46	56	64	73	84	92	102	112	122	131	142	152	162	164	165
<b>8 inch</b>	0	9	17	23	30	37	43	52	60	69	79	86	96	105	114	123	133	143	152	153	154
<b>10 inch</b>	0	8	13	18	24	30	34	42	48	55	63	69	76	84	91	99	106	114	122	123	124

## Rate Charts, Main Seed Box, continued...

### Wheat (2 of 2)

(based on 64 pounds/bushel)

Drive Type	Seed Rate Handle Setting																				
	0	5	10	15	20	25	30	35	40	45	50	55	60	65	70	75	80	85	90	95	100
<b>3</b>																					
Rows	Seed Rate in Pounds Per Acre																				
<b>6 inch</b>	0	16	31	45	60	74	88	104	120	137	153	168	186	202	220	240	256	274	290	297	299
<b>7 inch</b>	0	14	26	38	51	64	75	89	103	117	131	144	159	174	189	206	219	235	248	254	256
<b>7.5 inch</b>	0	13	25	36	48	59	70	83	96	109	123	134	149	162	176	192	205	219	232	237	239
<b>8 inch</b>	0	12	23	34	45	56	66	78	90	102	115	126	139	152	165	180	192	205	217	223	224
<b>10 inch</b>	0	10	18	27	36	45	53	62	72	82	92	101	111	121	132	144	154	164	174	178	179

### Wheatgrass

(based on 23 pounds/bushel)

Drive Type	Seed Rate Handle Setting																				
	0	5	10	15	20	25	30	35	40	45	50	55	60	65	70	75	80	85	90	95	100
<b>1</b>																					
Rows	Seed Rate in Pounds Per Acre																				
<b>6 inch</b>	0	1	2	3	4	5	6	7	8	10	11	12	13	14	15	17	18	19	19	21	21
<b>7 inch</b>	0	1	2	3	4	4	5	6	7	8	9	10	11	12	13	14	15	17	16	18	18
<b>7.5 inch</b>	0	1	2	2	3	4	5	6	7	8	9	10	11	11	12	13	14	15	15	17	17
<b>8 inch</b>	0	1	2	2	3	4	5	6	6	7	8	9	10	11	12	13	13	15	14	16	16
<b>10 inch</b>	0	1	1	2	3	3	4	4	5	6	7	7	8	9	9	10	11	12	11	13	13



## Small Seeds Attachment

### Small Seeds Cup Lever Adjustment

Position the small seeds seed cup lever to setting indicated on Small Seeds Seed Rate Chart. To adjust, loosen wing nut under handle. Slide handle until indicator lines up with correct setting. Tighten wing nut.

Note: Drive Type handle and Main Seed Rate handle are only used for Main seed box. They have no effect on Small Seeds rates.

To set and calibrate the seeding rate on the optional small seeds attachment, follow these steps.

1. Record weight of an empty container large enough to hold seed metered for one acre.
2. Place several pounds of seed over three seed cups on an outside end of small seeds box. Pull drop tube of these seed cups from their hose mounts.
3. Raise drill off the ground. If using a hitch, insert transport lock pins or turn 90° hydraulic lock valve, depending on hitch style.
4. Turn drive gauge wheel a few turns to fill cups with seed. Turn wheel until seed drops to the ground from all three cups.
5. Place a container under the three seed tubes to gather seed as it is metered.
6. Turn drive gauge wheel for one acre:  
450 rotations on a 12-foot drill,  
364 rotations on a 15-foot drill, or  
283 rotations on a 20-foot drill.  
Check that the three seed cups have plenty of seed coming into them.
7. Weigh the metered seed. Subtract initial weight of the empty container. Divide by three for the amount metered by each seed cup, then multiply by the number of drill openers for the pounds-per-acre seeding rate. If this figure is different than desired, adjust seed-rate handle and recheck the rate.

Note: If your results vary greatly from the charts, you may want to repeat the calibration procedure.

8. When drilling, note acres drilled, amount of seed added and level of seed in drill box. If you are seeding more or less than desired, adjust seeding rate slightly to compensate for field conditions.

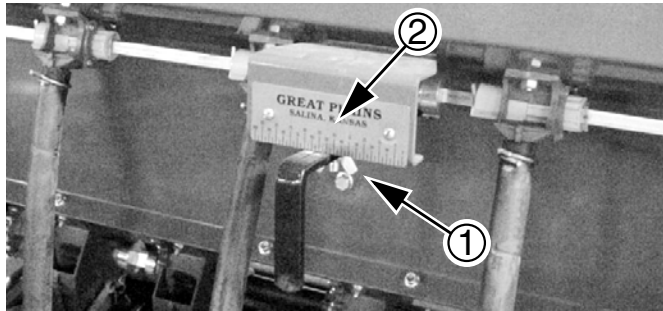


Figure 4  
Small Seeds Seed Cup  
Lever Adjustment

18511

Drill Model	Revolutions for One	
	Acre	Hectare
12-foot	450	1112
15-foot	364	900
20-foot	283	699

$$\frac{\text{MeasuredSeed} - \text{EmptyContainer}}{3} = \text{PoundsPerSeedCup}$$

$$\text{PoundsPerSeedCup} \times \text{NumberOfOpeners} = \text{PoundsPerAcre}$$

## Small Seeds Rate Charts

Metric charts begin on page 25.

### Alfalfa, Red Alsike, Crimson Clover

Rows	Small Seeds Cup Lever Setting																				
	0	5	10	15	20	25	30	35	40	45	50	55	60	65	70	75	80	85	90	95	100
	Seeding Rate in Pounds per Acre																				
6 inch	0	0.0	2.2	3.5	4.8	6.0	7.5	8.7	9.8	11.2	12.5	13.8	15.1	16.4	17.5	18.6	20.2	21.4	22.9	24.0	25.2
7 inch	0	0.0	1.9	3.0	4.1	5.1	6.4	7.5	8.4	9.5	10.8	11.8	12.9	14.0	15.0	16.3	17.3	18.3	20.0	20.6	21.6
7.5 inch	0	0.0	1.8	2.8	3.9	4.8	6.0	7.0	7.9	9.0	10.0	11.1	12.1	13.2	14.0	15.3	16.2	17.2	18.3	19.3	20.3
8 inch	0	0.0	1.6	2.6	3.6	4.5	5.6	6.6	7.4	8.4	9.4	10.3	11.3	12.3	13.1	13.0	15.2	16.1	17.1	18.0	18.9
10 inch	0	0.0	1.3	2.1	2.8	3.5	4.4	5.1	5.8	6.6	7.4	8.1	8.9	9.7	10.3	11.2	11.9	12.6	13.4	14.2	14.9

### Kentucky Bluegrass, Fescue, Annual Rye Grass

Rows	Small Seeds Cup Lever Setting																				
	0	5	10	15	20	25	30	35	40	45	50	55	60	65	70	75	80	85	90	95	100
	Seeding Rate in Pounds per Acre																				
6 inch	0	0.0	0.2	1.2	1.9	2.7	3.3	4.1	4.6	5.2	5.8	6.3	6.8	7.3	7.8	8.3	8.8	9.2	9.7	10.0	10.5
7 inch	0	0.0	0.2	1.0	1.6	2.3	2.8	3.5	4.0	4.5	5.0	5.4	5.9	6.3	6.7	7.1	7.5	7.9	8.0	8.6	9.0
7.5 inch	0	0.0	0.2	.9	1.5	2.2	2.7	3.3	3.7	4.2	4.6	5.1	5.5	5.9	6.3	6.7	7.0	7.4	7.7	8.1	8.4
8 inch	0	0.0	0.2	0.9	1.4	2.0	2.5	3.0	3.5	3.9	4.3	4.8	5.1	5.5	5.9	6.2	6.6	6.9	7.5	7.5	7.9
10 inch	0	0.0	0.1	0.7	1.1	1.6	2.0	2.4	2.7	3.1	3.4	3.7	4.0	4.3	4.6	4.9	5.2	5.4	5.7	5.9	6.2

### Bermuda, Red Top, Lespedeza Unhulled, Sercia, Sand, Weeping Love Grass

Rows	Small Seeds Cup Lever Setting																				
	0	5	10	15	20	25	30	35	40	45	50	55	60	65	70	75	80	85	90	95	100
	Seeding Rate in Pounds per Acre																				
6 inch	0	0.0	0.7	1.1	1.7	2.6	3.3	4.1	5.0	5.9	6.6	7.2	7.8	8.4	9.0	9.5	10.2	10.9	11.6	12.2	12.9
7 inch	0	0.0	0.6	0.9	1.5	2.2	2.8	3.6	4.3	5.1	5.6	6.2	6.7	7.1	7.7	8.1	8.7	9.4	10.0	10.5	11.0
7.5 inch	0	0.0	0.5	0.9	1.4	2.1	2.6	3.3	4.0	4.7	5.3	5.8	6.3	6.7	7.2	7.6	8.2	8.8	9.3	9.8	10.4
8 inch	0	0.0	0.5	0.8	1.3	2.0	2.5	3.1	3.8	4.4	4.9	5.4	5.9	6.5	6.7	7.1	7.6	8.2	8.7	9.2	9.7
10 inch	0	0.0	0.4	0.6	1.0	1.5	1.9	2.4	3.0	3.5	3.9	4.2	4.6	4.9	5.3	5.6	6.0	6.4	6.8	7.2	7.6

### Red & Sweet Clover, Lespedeza Hulled

Rows	Small Seeds Cup Lever Setting																				
	0	5	10	15	20	25	30	35	40	45	50	55	60	65	70	75	80	85	90	95	100
	Seeding Rate in Pounds per Acre																				
6 inch	0	0.0	1.5	3.4	5.2	7.1	9.0	11.3	13.2	15.3	17.0	19.0	20.8	22.5	24.5	26.4	28.3	30.1	32.1	33.8	35.6
7 inch	0	0.0	1.3	2.9	4.5	6.1	7.7	9.7	11.3	13.1	14.6	16.3	17.8	19.3	21.0	22.7	24.6	25.8	27.5	29.0	30.5
7.5 inch	0	0.0	1.2	2.7	4.2	5.7	7.2	9.1	10.6	12.3	13.7	15.3	16.7	18.1	19.7	21.2	22.7	24.2	25.8	27.2	28.6
8 inch	0	0.0	1.1	2.5	3.9	5.3	6.7	8.5	9.9	11.5	12.8	14.3	15.6	16.9	18.3	19.8	21.2	22.6	24.1	25.4	26.7
10 inch	0	0.0	0.9	2.0	3.1	4.2	5.3	6.7	7.8	9.0	10.0	11.2	12.2	13.3	14.4	15.6	16.6	17.8	18.9	19.9	20.9

## Rate Charts, Small Seeds Box, continued...

### Orchard Grass

Rows	Small Seeds Cup Lever Setting																				
	0	5	10	15	20	25	30	35	40	45	50	55	60	65	70	75	80	85	90	95	100
	Seeding Rate in Pounds per Acre																				
6 inch	0	0.0	0.0	0.3	0.7	.9	1.3	1.5	2.0	2.4	2.8	3.3	3.5	3.9	4.4	4.8	5.0	5.5	5.7	6.1	6.3
7 inch	0	0.0	0.0	0.2	0.6	.7	1.1	1.3	1.7	2.1	2.4	2.8	3.0	3.4	3.7	4.1	4.3	4.7	5.0	5.2	5.4
7.5 inch	0	0.0	0.0	0.2	0.5	0.7	1.1	1.2	1.6	1.9	2.3	2.6	2.8	3.2	3.5	3.9	4.0	4.4	4.6	4.9	5.1
8 inch	0	0.0	0.0	0.2	0.5	0.7	1.0	1.1	1.5	1.8	2.1	2.5	2.6	2.9	3.3	3.6	3.8	4.1	4.3	4.6	4.8
10 inch	0	0.0	0.0	0.1	0.4	0.5	.8	0.9	1.2	1.4	1.7	1.9	2.1	2.3	2.6	2.8	3.0	3.2	3.3	3.6	3.7

### Millet, Reed Canary

Rows	Small Seeds Cup Lever Setting																				
	0	5	10	15	20	25	30	35	40	45	50	55	60	65	70	75	80	85	90	95	100
	Seeding Rate in Pounds per Acre																				
6 inch	0	0.4	1.4	2.4	3.5	4.4	5.5	6.5	7.5	8.5	9.5	10.5	11.5	12.5	13.6	14.6	15.6	16.6	17.6	18.5	19.0
7 inch	0	0.4	1.2	2.1	3.0	3.8	4.7	5.6	6.4	7.3	8.1	9.0	9.9	10.7	11.6	12.5	13.3	14.2	15.1	15.9	16.1
7.5 inch	0	0.3	1.2	2.0	2.8	3.6	4.4	5.2	6.0	6.8	7.6	8.4	9.3	10.1	10.9	11.7	12.5	13.3	14.1	14.9	15.1
8 inch	0	0.3	1.1	1.8	2.6	3.3	4.1	4.9	5.6	6.4	7.1	7.9	8.6	9.4	10.2	10.9	11.7	12.4	13.2	13.9	14.1
10 inch	0	0.3	0.8	1.4	2.0	2.6	3.2	3.8	4.4	5.0	5.6	6.2	6.8	7.4	8.0	8.6	9.2	9.8	10.4	10.9	11.5

### Ladino Clover, Canary Grass, Timothy, Canola

Rows	Small Seeds Cup Lever Setting																				
	0	5	10	15	20	25	30	35	40	45	50	55	60	65	70	75	80	85	90	95	100
	Seeding Rate in Pounds per Acre																				
6 inch	0	0.0	1.1	2.1	3.3	4.7	6.1	7.6	9.2	10.7	12.2	13.8	15.5	17.0	18.5	20.3	21.7	23.4	25.4	27.3	29.2
7 inch	0	0.0	0.9	1.7	2.8	4.1	5.2	6.6	7.9	9.2	10.5	11.8	13.3	14.6	15.9	17.4	18.7	20.0	22.0	23.4	25.1
7.5 inch	0	0.0	0.9	1.6	2.6	3.9	4.9	6.1	7.4	8.6	9.8	11.1	12.5	13.7	14.9	16.3	17.6	18.8	20.4	21.9	23.5
8 inch	0	0.0	0.8	1.5	2.5	3.6	4.6	5.7	6.9	8.0	9.2	10.3	11.6	12.8	13.9	15.2	16.4	17.5	19.0	20.5	21.9
10 inch	0	0.0	0.6	1.5	1.9	2.5	3.6	4.5	5.4	6.3	7.2	8.1	9.1	10.0	10.9	12.0	12.9	13.8	14.9	16.1	17.2

### Birdsfoot, Trefoil, Sudan

Rows	Small Seeds Cup Lever Setting																				
	0	5	10	15	20	25	30	35	40	45	50	55	60	65	70	75	80	85	90	95	100
	Seeding Rate in Pounds per Acre																				
6 inch	0	0.0	1.7	3.3	5.2	6.8	8.7	10.7	12.7	14.7	16.8	19.2	21.2	23.4	25.6	28.0	29.9	32.1	34.2	36.3	38.4
7 inch	0	0.0	1.5	2.8	4.5	5.8	7.5	9.2	10.9	12.5	14.4	16.5	18.2	20.0	21.9	24.0	25.6	27.5	29.0	31.1	32.9
7.5 inch	0	0.0	1.4	2.6	4.2	5.4	7.0	8.6	10.2	11.9	13.5	15.4	17.0	18.8	20.5	22.5	24.0	25.8	27.6	29.1	30.9
8 inch	0	0.0	1.3	2.5	3.9	5.1	6.6	8.1	9.5	11.0	12.6	14.4	15.9	17.5	19.2	21.0	22.4	24.1	25.7	27.2	28.8
10 inch	0	0.0	1.0	1.9	3.1	4.0	5.1	6.3	7.5	8.6	9.9	11.3	12.5	13.8	15.1	16.5	17.6	18.9	20.2	21.4	22.7



## Fertilizer Rate

Fertilizer application rates will vary with fertilizer type, density and particle size. Relative humidity and field conditions can also affect application rates. The chart on this page is based on material with a density of 65 pounds per cubic foot (1.04 kg/L) and average particle size. Initially set the rate according to the charts, then calibrate the drill to your material as described below.

If your drill has two boxes, remember to repeat the following steps for each drill box.

1. Raise the drill with the tractor hydraulics so the drive wheels are off the ground. Rotate the drive wheels to see that the metering system is working properly and free from foreign material.

**Refer to Figure 5**

2. From the chart, find the setting number for your row spacing and desired application rate.
3. Rotate the gate adjustment knob ① until the indicator is under the desired rate on the scale ②.
4. Check that your gauge-wheel tires are the correct size (9.5L x 15 for 12- and 15-foot drills and 11L x 15 for 20-foot drills) and properly inflated. See **“Tire Inflation Chart”** in Operator’s manual.
5. Record the weight of an empty container large enough to hold the fertilizer metered for one acre.
6. Place several pounds of fertilizer over three fertilizer feed cups on the outside end of the drill box.
7. Pull the fertilizer tubes off of these three openers. Turn the gauge wheels a few turns to fill the feed cups with material. Continue to turn until fertilizer drops to the ground from all three tubes.
8. Place a container under the three tubes to gather metered fertilizer.
9. Turn the gauge wheel until for one acre. See chart at right for your drill model.
10. Weigh the metered material. Subtract the initial weight of the empty container. Divide by three. Multiply by the number of openers on your drill for total pounds-per-acre metered. If this figure is different than desired, reset adjustment knob accordingly.
11. When drilling, check the rate by noting acres drilled, amount of fertilizer added to drill and level of material in drill box. If you are applying more or less than desired, adjust the metering rate slightly to compensate for field conditions.

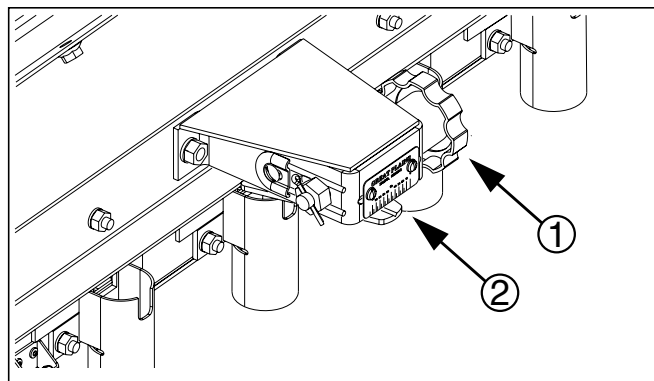


Figure 5  
Fertilizer Rate Adjuster 27256

**IMPORTANT !**

The fertilizer rate chart is for granular fertilizer with a density of 65 pounds per cubic foot (1.04 kg/L). If you are applying fertilizer with a different density, use the density conversion chart.

Note: Fertilizer rate is independent of Drive Type and Main Seed Rate settings

Drill Model	Revolutions for One	
	Acre	Hectare
12-foot	450	1112
15-foot	364	900
20-foot	283	699

$$\frac{\text{MeasuredMaterial} - \text{EmptyContainer}}{3} = \text{PoundsPerCup}$$

$$\text{PoundsPerCup} \times \text{NumberOfOpeners} = \text{PoundsPerAcre}$$

Note: You may want to repeat the calibration procedure if your results vary greatly from the chart.

## Fertilizer Rate Chart

Metric chart is on page 27.

### Rates in Pounds per Acre

Rows	Setting Number																	
	15	20	25	30	35	40	45	50	55	60	65	70	75	80	85	90	95	100
	Application Rate - Pounds per Acre																	
6 inch	13	25	48	67	89	112	131	154	173	197	218	234	261	279	292	303	306	308
7 inch	13	23	41	57	78	95	111	131	148	165	184	199	221	235	246	256	259	261
7.5 inch	11	20	38	54	72	89	105	123	138	157	174	187	209	223	234	242	245	247
8 inch	11	20	36	50	69	84	98	115	130	146	163	176	195	207	219	226	228	231
10 inch	8	16	29	40	54	67	79	92	104	118	131	140	157	167	175	182	183	185

### Density Conversion Charts

The fertilizer meter rate charts are based on fertilizer with a density of 65 pounds per cubic foot (1.04 kilograms per liter). If you are applying fertilizer of a different density, use the following table to convert application rate.

Density, lb/ft <sup>3</sup>	45.0	50.0	55.0	60.0	65.0	70.0	75.0	80.0
Conversion Factor	1.45	1.30	1.20	1.10	1.00	0.93	0.87	0.81

Example: Your fertilizer has a density of 75 pounds per cubic foot, and you want to apply 100 pounds per acre. Multiply the desired application rate by the conversion factor.

$$100 \times 0.87 = 87$$

Adjust drill to the setting closest to 87 pounds per acre.



## Metric Rate Charts

### Metric Rate Charts, Main Seed Box

See page 1 for instructions.

Charts in U.S. customary units begin on page 4.

#### Alfalfa or Rape

(based on 0.77 kg per liter)

Drive Type 1	Seed Rate Handle Setting																				
	0	5	10	15	20	25	30	35	40	45	50	55	60	65	70	75	80	85	90	95	100
Rows	Seed Rate in Kilograms per Hectare																				
15.2cm (6in)	0	6.2	9.3	13.5	17.3	21.4	25.6	30.5	35.4	41.2	46.0	50.3	55.7	60.9	66.2	71.0	77.1	83.0	89.0	91.6	94.3
17.8cm (7in)	0	5.3	8.0	11.6	14.8	18.4	22.0	26.2	30.3	35.4	39.4	43.1	47.7	52.2	56.8	60.9	66.1	71.1	76.3	78.6	80.8
19.1cm (7.5in)	0	4.9	7.5	10.8	13.8	17.2	20.5	24.4	28.3	33.0	36.8	40.3	44.6	48.7	53.0	56.8	61.7	66.4	71.2	73.3	75.4
20.3cm (8in)	0	4.6	7.1	10.1	12.9	16.1	19.2	22.9	26.5	30.9	34.5	37.7	41.8	45.6	49.6	53.2	57.8	62.2	66.8	68.7	70.7
25.4cm (10in)	0	3.7	5.6	8.1	10.3	12.9	15.4	18.3	21.2	24.7	27.6	30.2	33.5	36.5	39.7	42.6	46.3	49.7	53.4	55.0	56.6

#### Barley (1 of 3)

(based on 0.66 kg per liter)

Drive Type 1	Seed Rate Handle Setting																				
	0	5	10	15	20	25	30	35	40	45	50	55	60	65	70	75	80	85	90	95	100
Rows	Seed Rate in Kilograms per Hectare																				
15.2cm (6in)	0	5.1	8.5	12.0	16.2	20.3	24.9	29.3	33.8	38.7	43.7	48.6	53.7	59.3	64.1	69.3	73.5	77.6	81.5	82.1	82.7
17.8cm (7in)	0	4.4	7.3	10.2	13.8	17.4	21.3	25.1	29.0	33.2	37.5	41.7	46.0	50.9	55.0	59.4	63.1	66.5	69.8	70.4	71.0
19.1cm (7.5in)	0	4.0	6.8	9.5	12.9	16.3	20.0	23.5	27.1	31.0	34.9	38.8	43.0	47.4	51.3	55.5	58.8	62.1	65.2	65.7	68.2
20.3cm (8in)	0	3.8	6.4	9.0	12.1	15.2	18.7	22.0	25.4	29.1	32.8	36.4	40.3	44.5	48.1	52.0	55.1	58.2	61.1	61.5	62.1
25.4cm (10in)	0	3.0	5.1	7.2	9.7	12.1	14.9	17.6	20.3	23.2	26.2	29.2	32.2	35.6	38.5	41.5	44.1	46.6	48.8	49.3	49.6

#### Barley (2 of 3)

(based on 0.66 kg per liter)

Drive Type 2	Seed Rate Handle Setting																				
	0	5	10	15	20	25	30	35	40	45	50	55	60	65	70	75	80	85	90	95	100
Rows	Seed Rate in Kilograms per Hectare																				
15.2cm (6in)	0	9.8	17.9	24.3	33.5	41.5	50.6	60.3	69.4	79.7	85.8	97.7	107.6	116.9	127.4	137.8	149.1	159.9	170.2	172.9	175.6
17.8cm (7in)	0	8.3	15.3	20.8	28.6	35.6	43.4	51.6	59.4	68.4	76.3	83.8	92.2	100.1	109.2	118.1	127.8	137.1	145.8	148.2	150.4
19.1cm (7.5in)	0	7.7	14.3	19.3	26.7	33.2	40.5	48.3	55.5	63.8	71.3	78.1	86.1	93.5	101.9	110.1	119.2	127.9	136.1	138.2	140.4
20.3cm (8in)	0	7.3	13.4	18.2	25.0	31.1	37.9	45.2	52.0	59.8	66.8	73.2	80.7	87.7	95.7	103.3	111.8	119.9	127.7	129.7	131.7
25.4cm (10in)	0	5.8	10.7	14.5	20.1	24.9	30.4	36.2	41.7	47.8	53.4	58.6	64.6	70.2	76.5	82.6	89.5	95.9	100.1	103.7	105.3

## Metric Rate Charts, Main Seed Box, continued...

### Barley (3 of 3)

(based on 0.66 kg per liter)

Drive Type 4	Seed Rate Handle Setting																				
	0	5	10	15	20	25	30	35	40	45	50	55	60	65	70	75	80	85	90	95	100
<b>Rows</b>	<b>Seed Rate in Kilograms per Hectare</b>																				
15.2cm (6in)	0	23.8	43.6	59.2	81.8	101.5	123.8	147.4	169.6	195.0	217.9	238.8	263.2	285.8	311.8	336.8	364.5	391.0	416.1	422.7	429.3
17.8cm (7in)	0	20.4	37.3	50.7	70.2	87.0	106.2	126.4	145.4	167.2	186.8	204.7	225.6	245.0	267.2	288.9	312.6	335.1	356.7	362.3	368.0
19.1cm (7.5in)	0	19.0	34.8	47.4	65.5	81.2	99.1	118.0	135.7	155.9	174.4	191.1	210.5	228.7	249.5	269.4	291.7	312.8	332.9	338.2	343.4
20.3cm (8in)	0	17.9	32.7	44.3	61.4	76.1	92.8	110.6	127.2	146.3	163.5	179.2	197.4	214.4	233.9	252.6	273.5	293.2	312.1	317.1	322.0
25.4cm (10in)	0	14.3	26.2	35.5	49.1	60.9	74.3	88.5	101.8	117.0	130.8	143.3	157.9	171.5	187.0	202.1	218.8	234.6	249.7	253.6	257.7

### Buckwheat

(based on 0.62 kg per liter)

Drive Type 3	Seed Rate Handle Setting																				
	0	5	10	15	20	25	30	35	40	45	50	55	60	65	70	75	80	85	90	95	100
<b>Rows</b>	<b>Seed Rate in Kilograms per Hectare</b>																				
15.2cm (6in)	0	12.7	23.6	33.0	47.0	58.6	73.0	87.5	103.7	119.9	138.2	152.4	168.9	185.7	201.5	219.4	235.0	251.0	268.0	268.5	273.6
17.8cm (7in)	0	10.9	20.2	28.3	40.3	50.3	62.5	75.0	88.9	102.8	118.4	130.6	144.7	159.2	172.8	188.1	201.4	215.6	226.7	229.3	233.1
19.1cm (7.5in)	0	10.1	18.9	26.5	37.6	46.9	58.4	70.1	83.0	95.9	110.6	121.8	135.1	148.5	161.2	175.6	187.9	201.2	214.4	214.6	218.9
20.3cm (8in)	0	9.4	17.6	24.8	35.3	44.0	54.8	65.7	77.8	89.9	103.6	114.3	126.6	139.3	151.2	164.6	176.3	188.6	201.0	201.7	202.6
25.4cm (10in)	0	7.6	14.1	19.9	28.2	35.1	43.8	52.5	62.2	72.0	83.0	91.4	101.3	111.4	120.9	131.7	141.0	150.9	160.8	164.7	170.1

### Buffalograss (1 of 4)

(based on 0.30 kg per liter)

Drive Type 1	Seed Rate Handle Setting																				
	0	5	10	15	20	25	30	35	40	45	50	55	60	65	70	75	80	85	90	95	100
<b>Rows</b>	<b>Seed Rate in Kilograms per Hectare</b>																				
15.2cm (6in)	0	2.3	3.4	4.5	5.6	7.9	9.0	11.3	13.5	15.8	18.0	20.3	21.4	23.7	24.8	25.9	25.9	28.2	28.2	29.3	28.2
17.8cm (7in)	0	1.1	2.3	3.4	4.5	6.8	7.9	10.1	11.3	13.5	14.6	16.9	18.0	20.3	21.4	22.5	23.7	23.7	24.8	24.8	24.8
19.1cm (7.5in)	0	1.1	2.3	3.4	4.5	5.6	7.9	9.0	11.3	12.4	14.6	15.8	16.9	19.2	20.3	21.4	22.5	22.5	22.5	22.5	22.5
20.3cm (8in)	0	1.1	2.3	3.4	4.5	5.6	6.8	9.0	10.1	11.3	13.5	14.6	15.8	18.0	19.2	20.3	20.3	21.4	21.4	21.4	21.4
25.4cm (10in)	0	1.1	2.3	2.3	3.4	4.5	5.6	6.8	7.9	9.0	10.1	12.4	13.5	13.5	14.6	15.8	16.9	16.9	16.9	16.9	16.9

### Buffalograss (2 of 4)

(based on 0.30 kg per liter)

Drive Type 2	Seed Rate Handle Setting																				
	0	5	10	15	20	25	30	35	40	45	50	55	60	65	70	75	80	85	90	95	100
<b>Rows</b>	<b>Seed Rate in Kilograms per Hectare</b>																				
15.2cm (6in)	0	3.4	5.6	9.0	12.4	15.8	19.2	23.7	28.2	32.7	36.1	40.6	43.9	48.5	51.8	54.1	56.3	57.5	58.6	58.6	58.6
17.8cm (7in)	0	3.4	4.5	7.9	10.1	13.5	16.9	20.3	23.7	27.0	31.6	34.9	38.3	41.7	43.9	46.2	48.5	49.6	50.7	50.7	49.6
19.1cm (7.5in)	0	2.3	4.5	6.8	9.0	12.4	15.8	19.2	22.5	25.9	29.3	32.7	36.1	38.3	40.6	42.8	45.1	46.2	47.3	47.3	46.2
20.3cm (8in)	0	2.3	4.5	6.8	9.0	11.3	14.6	18.0	21.4	23.7	27.0	30.4	33.8	36.1	38.3	40.6	42.8	43.9	43.9	43.9	43.9
25.4cm (10in)	0	2.3	3.4	5.6	6.8	9.0	11.3	14.6	16.9	19.2	21.4	24.8	27.0	29.3	30.4	32.7	33.8	34.9	34.9	34.9	34.9

## Metric Rate Charts, Main Seed Box, continued...

### Buffalograss (3 of 4)

(based on 0.30 kg per liter)

Drive Type 3	Seed Rate Handle Setting																				
	0	5	10	15	20	25	30	35	40	45	50	55	60	65	70	75	80	85	90	95	100
Rows	Seed Rate in Kilograms per Hectare																				
15.2cm (6in)	0	6.8	9.0	12.4	16.9	22.5	28.2	33.8	40.6	47.3	54.1	59.7	66.5	72.1	77.7	82.3	85.6	89.0	90.1	91.3	90.1
17.8cm (7in)	0	5.6	7.9	11.3	14.6	19.2	23.7	29.3	34.9	40.6	46.2	51.8	56.3	62.0	66.5	69.9	73.2	75.5	77.7	77.7	77.7
19.1cm (7.5in)	0	5.6	7.9	10.1	13.5	18.0	22.5	27.0	32.7	38.3	42.8	48.5	53.0	57.5	62.0	65.4	68.7	71.0	72.1	73.2	72.1
20.3cm (8in)	0	4.5	6.8	10.1	13.5	16.9	21.4	25.9	30.4	34.9	40.6	45.1	49.6	54.1	57.5	60.8	64.2	66.5	67.6	68.7	67.6
25.4cm (10in)	0	3.4	5.6	7.9	10.1	13.5	16.9	20.3	24.8	28.2	32.7	36.1	40.6	42.8	46.2	49.6	51.8	53.0	54.1	54.1	54.1

### Buffalograss (4 of 4)

(based on 0.30 kg per liter)

Drive Type 4	Seed Rate Handle Setting																				
	0	5	10	15	20	25	30	35	40	45	50	55	60	65	70	75	80	85	90	95	100
Rows	Seed Rate in Kilograms per Hectare																				
15.2cm (6in)	0	10.0	14.6	21.4	28.2	37.2	46.2	56.3	66.5	76.6	87.9	98.0	108.2	117.2	126.2	133.0	139.7	144.2	147.6	147.6	146.5
17.8cm (7in)	0	9.0	12.4	18.0	24.8	31.6	40.6	48.5	56.3	66.5	75.5	84.5	92.4	100.0	108.2	113.8	119.4	123.9	126.2	127.3	126.2
19.1cm (7.5in)	0	7.9	12.4	16.9	22.5	29.3	37.2	45.1	53.0	62.0	69.9	78.9	86.8	93.5	101.4	107.0	111.6	114.9	117.2	118.3	117.2
20.3cm (8in)	0	7.9	11.3	15.8	21.4	27.0	34.9	41.7	49.6	57.5	65.4	73.2	81.1	87.9	94.7	100.3	104.8	108.2	110.4	111.6	110.4
25.4cm (10in)	0	6.5	9.0	12.4	16.9	22.5	28.2	33.8	39.4	46.2	53.0	58.6	65.4	71.0	75.5	80.0	83.4	86.8	87.9	89.0	87.9

### Flax or Sudan

(based on 0.71 kg per liter)

Drive Type 1	Seed Rate Handle Setting																				
	0	5	10	15	20	25	30	35	40	45	50	55	60	65	70	75	80	85	90	95	100
Rows	Seed Rate in Kilograms per Hectare																				
15.2cm (6in)	0	4.2	9.2	13.1	18.1	22.6	27.1	31.8	36.8	41.5	46.9	51.3	56.0	61.1	66.4	72.6	78.4	85.0	91.9	93.4	95.3
17.8cm (7in)	0	3.6	7.9	11.2	15.5	19.4	23.2	27.2	31.5	35.6	40.3	44.0	48.1	52.3	56.8	62.2	67.1	72.9	78.8	80.2	81.6
19.1cm (7.5in)	0	3.4	7.4	10.6	14.5	18.1	21.7	25.4	29.4	33.2	37.6	41.1	44.8	48.8	53.1	58.0	62.6	68.0	73.5	74.8	76.2
20.3cm (8in)	0	3.1	6.8	9.9	13.6	17.0	20.3	23.8	27.6	31.1	35.3	38.5	42.0	45.8	49.7	54.5	58.7	63.8	68.9	70.1	71.4
25.4cm (10in)	0	2.5	5.5	7.9	10.9	13.6	16.3	19.1	22.1	24.9	28.2	30.8	33.6	36.6	39.7	43.6	47.0	51.0	55.2	56.0	57.1

### Millet

(based on 0.77 kg per liter)

Drive Type 1	Seed Rate Handle Setting																				
	0	5	10	15	20	25	30	35	40	45	50	55	60	65	70	75	80	85	90	95	100
Rows	Seed Rate in Kilograms per Hectare																				
15.2cm (6in)	0	5.3	9.2	13.1	17.6	21.9	26.3	30.5	35.4	40.1	44.7	49.4	54.5	58.8	64.0	69.3	74.1	79.5	85.1	86.4	87.7
17.8cm (7in)	0	4.5	7.9	11.2	15.0	18.7	22.6	26.3	30.3	34.4	38.3	42.3	46.7	50.4	54.9	59.4	63.5	68.1	73.0	74.1	75.2
19.1cm (7.5in)	0	4.2	7.4	10.6	14.0	17.5	21.0	24.5	28.3	32.0	35.7	39.5	43.6	47.0	51.2	55.5	59.3	63.5	68.0	69.2	70.2
20.3cm (8in)	0	3.9	6.8	9.9	13.1	16.4	19.8	22.9	26.5	30.0	33.5	37.0	40.9	44.1	48.1	52.0	55.6	59.6	63.8	64.8	65.8
25.4cm (10in)	0	3.1	5.5	7.9	10.6	13.1	15.7	18.3	21.2	24.0	26.8	29.6	32.7	35.4	38.4	41.5	44.5	47.7	51.1	51.9	52.7

## Metric Rate Charts, Main Seed Box, continued...

### Milo

(based on 0.82 kg per liter)

Drive Type 1	Seed Rate Handle Setting																				
	0	5	10	15	20	25	30	35	40	45	50	55	60	65	70	75	80	85	90	95	100
Rows	Seed Rate in Kilograms per Hectare																				
15.2cm (6in)	0	5.3	9.9	14.6	19.9	25.3	31.2	37.6	43.8	50.3	57.8	63.7	70.5	77.2	83.9	90.7	97.2	103.0	109.7	112.6	114.6
17.8cm (7in)	0	4.5	8.4	12.6	17.1	21.7	26.7	32.2	37.6	43.1	49.5	54.6	60.5	66.2	71.9	77.8	83.3	88.2	94.0	96.6	98.2
19.1cm (7.5in)	0	4.2	7.9	11.7	15.9	20.2	24.9	30.1	35.0	40.3	46.3	51.0	56.5	61.9	67.1	72.5	77.8	82.3	87.7	90.0	91.6
20.3cm (8in)	0	3.9	7.4	11.0	14.9	18.9	23.4	28.2	32.9	37.7	43.3	47.7	52.9	57.9	62.9	68.0	72.9	77.1	82.2	84.4	85.9
25.4cm (10in)	0	3.1	6.0	8.8	11.9	15.2	18.7	22.6	26.3	30.2	34.7	38.2	42.3	46.4	50.3	54.5	58.4	61.7	65.8	67.6	68.7

### Oats

(based on 0.48 kg per liter)

Drive Type 3	Seed Rate Handle Setting																				
	0	5	10	15	20	25	30	35	40	45	50	55	60	65	70	75	80	85	90	95	100
Rows	Seed Rate in Kilograms per Hectare																				
15.2cm (6in)	0	5.8	13.6	19.4	26.9	35.4	43.4	52.5	51.5	71.0	81.1	89.5	98.8	107.9	117.3	126.8	136.1	145.5	155.6	155.8	158.8
17.8cm (7in)	0	5.1	11.7	16.6	23.0	30.3	37.3	45.0	52.8	60.9	69.5	76.7	84.8	92.5	100.6	108.6	116.6	124.7	133.4	133.4	136.5
19.1cm (7.5in)	0	4.7	10.9	15.6	21.5	28.3	34.7	42.0	49.3	56.8	64.8	71.5	79.0	86.3	93.9	101.4	108.9	116.4	124.4	124.5	127.5
20.3cm (8in)	0	4.4	10.2	14.6	20.2	26.5	32.6	39.4	46.1	53.2	60.7	67.1	74.1	80.9	88.0	95.1	102.1	109.1	116.6	116.7	119.7
25.4cm (10in)	0	3.5	8.2	11.7	16.2	21.2	26.0	31.5	36.9	42.6	48.6	53.7	59.3	64.8	70.4	76.0	81.6	87.3	93.3	93.4	95.6

### Peas

(based on 0.79 kg per liter)

Drive Type 3	Seed Rate Handle Setting																				
	0	5	10	15	20	25	30	35	40	45	50	55	60	65	70	75	80	85	90	95	100
Rows	Seed Rate in Kilograms per Hectare																				
15.2cm (6in)	0	10.8	21.2	38.3	58.3	77.1	94.2	114.4	133.5	154.3	173.2	190.2	209.0	228.2	245.0	264.3	281.6	298.8	315.9	317.6	319.0
17.8cm (7in)	0	9.2	18.2	32.8	50.0	66.1	80.7	98.0	114.4	132.3	148.4	163.0	179.2	193.9	210.1	226.6	241.4	256.1	270.9	272.3	273.5
19.1cm (7.5in)	0	8.4	17.1	30.5	46.6	61.7	75.3	91.5	106.8	123.4	138.5	152.2	167.2	181.0	196.0	211.5	225.3	239.0	252.8	254.1	255.2
20.3cm (8in)	0	7.9	15.9	28.6	43.7	57.8	70.6	85.8	100.1	115.8	129.9	142.7	158.7	169.6	183.8	198.2	211.2	224.1	237.0	238.2	239.2
25.4cm (10in)	0	6.4	12.8	22.9	34.9	46.3	56.5	68.6	80.2	92.5	104.0	114.2	125.4	135.7	147.0	158.6	169.0	179.3	189.6	190.5	191.4

### Pinto Beans

((based on 0.66 kg per liter)

Drive Type 1	Seed Rate Handle Setting																				
	0	5	10	15	20	25	30	35	40	45	50	55	60	65	70	75	80	85	90	95	100
Rows	Seed Rate in Kilograms per Hectare																				
15.2cm (6in)	0	0.0	9.5	14.5	19.5	26.5	33.2	39.6	46.3	52.9	59.5	65.3	71.5	77.2	83.5	90.7	95.9	101.8	107.7	107.8	107.9
17.8cm (7in)	0	0.0	8.2	12.5	16.7	22.7	28.4	34.0	39.6	45.4	51.0	56.0	61.3	66.2	71.6	77.7	82.2	87.3	92.3	92.5	92.6
19.1cm (7.5in)	0	0.0	7.6	11.6	15.8	21.2	28.5	31.7	37.0	42.3	47.8	52.3	57.1	61.9	66.8	72.3	76.7	81.5	86.1	87.9	88.3
20.3cm (8in)	0	0.0	7.2	10.9	14.7	19.9	24.9	29.8	34.7	39.8	44.8	49.1	53.6	57.9	62.8	67.9	71.9	76.3	80.8	80.9	81.0
25.4cm (10in)	0	0.0	5.7	8.8	11.7	15.9	19.9	23.8	27.7	31.8	35.7	39.2	42.9	46.4	50.2	54.5	57.5	61.1	64.6	64.8	64.8

### Metric Rate Charts, Main Seed Box, continued...

#### Rice, Short Grain (1 of 2)

(based on 0.55 kg per liter)

Drive Type 3	Seed Rate Handle Setting																				
	0	5	10	15	20	25	30	35	40	45	50	55	60	65	70	75	80	85	90	95	100
Rows	Seed Rate in Kilograms per Hectare																				
15.2cm (6in)	0	12.3	20.2	31.8	43.0	51.2	62.3	71.3	82.3	94.0	107.3	119.9	131.6	143.6	155.6	166.0	175.7	185.4	195.5	198.2	199.8
17.8cm (7in)	0	10.6	17.4	27.2	38.9	43.9	53.4	61.1	70.6	80.6	92.1	102.8	112.8	123.0	133.4	142.4	150.6	158.9	167.5	170.1	171.9
19.1cm (7.5in)	0	9.9	16.2	25.4	34.5	41.0	49.8	57.0	65.9	75.2	85.9	95.9	105.3	114.9	124.4	132.9	140.6	148.3	156.4	158.9	159.4
20.3cm (8in)	0	9.2	15.2	23.8	32.3	38.4	46.7	53.4	61.7	70.5	80.5	89.9	98.7	107.7	116.6	124.6	131.7	139.0	146.6	148.6	150.0
25.4cm (10in)	0	7.4	12.1	19.1	25.8	30.8	37.4	42.8	49.4	56.4	64.4	72.0	78.9	86.1	93.3	99.7	105.4	111.3	117.3	119.8	120.7

#### Rice, Short Grain (2 of 2)

(based on 0.55 kg per liter)

Drive Type 4	Seed Rate Handle Setting																				
	0	5	10	15	20	25	30	35	40	45	50	55	60	65	70	75	80	85	90	95	100
Rows	Seed Rate in Kilograms per Hectare																				
15.2cm (6in)	0	20.1	33.0	51.8	70.2	83.5	101.6	116.2	134.2	153.2	175.0	195.5	214.5	234.1	253.6	270.8	286.4	302.2	318.7	325.8	330.1
17.8cm (7in)	0	17.2	28.3	44.3	60.2	71.5	87.0	99.7	115.1	131.4	150.0	167.6	183.9	200.6	217.4	232.2	245.5	259.1	273.2	279.8	285.0
19.1cm (7.5in)	0	16.1	26.4	41.4	56.1	66.8	81.3	93.0	107.3	122.6	140.0	158.4	171.7	187.3	202.9	216.7	229.1	241.8	255.0	262.3	268.2
20.3cm (8in)	0	15.0	24.8	38.8	52.7	62.8	78.1	87.2	100.7	115.0	131.2	148.8	180.9	175.8	190.2	203.1	214.8	226.7	239.0	243.2	247.1
25.4cm (10in)	0	12.0	19.9	31.1	42.1	50.1	61.0	69.7	80.5	91.9	105.0	117.3	128.8	140.4	152.2	162.5	171.9	181.3	191.2	196.6	199.8

#### Rice, Long Grain (1 of 4)

(based on 0.60 kg per liter)

Drive Type 1	Seed Rate Handle Setting																				
	0	5	10	15	20	25	30	35	40	45	50	55	60	65	70	75	80	85	90	95	100
Rows	Seed Rate in Kilograms per Hectare																				
15.2cm (6in)	0	1	5	8	11	16	19	23	26	29	36	36	39	43	46	50	53	55	59	60	61
17.8cm (7in)	0	1	5	7	10	14	16	19	23	25	30	31	34	37	39	43	45	47	50	51	52
19.1cm (7.5in)	0	1	5	7	9	12	16	18	20	24	28	29	32	35	37	39	43	45	46	47	48
20.3cm (8in)	0	1	3	7	9	11	15	17	19	23	29	27	29	33	35	37	39	42	44	45	45
25.4cm (10in)	0	1	3	5	7	9	11	14	16	18	21	21	24	26	28	30	32	34	35	36	36

#### Rice, Long Grain (2 of 4)

(based on 0.60 kg per liter)

Drive Type 2	Seed Rate Handle Setting																				
	0	5	10	15	20	25	30	35	40	45	50	55	60	65	70	75	80	85	90	95	100
Rows	Seed Rate in Kilograms per Hectare																				
15.2cm (6in)	0	3	10	17	24	32	39	46	53	61	73	74	81	88	96	103	108	115	119	123	125
17.8cm (7in)	0	3	9	15	20	27	34	39	45	52	63	64	70	75	81	88	94	98	103	105	107
19.1cm (7.5in)	0	2	8	14	19	26	32	37	43	48	59	60	65	71	77	82	87	91	96	98	100
20.3cm (8in)	0	2	8	12	18	24	29	35	39	45	55	56	61	66	71	77	81	86	90	92	94
25.4cm (10in)	0	2	7	10	15	19	24	28	32	36	37	45	48	53	57	62	65	69	72	73	75

## Metric Rate Charts, Main Seed Box, continued...

### Rice, Long Grain (3 of 4)

(based on 0.60 kg per liter)

Drive Type 3	Seed Rate Handle Setting																				
	0	5	10	15	20	25	30	35	40	45	50	55	60	65	70	75	80	85	90	95	100
<b>Rows</b>	<b>Seed Rate in Kilograms per Hectare</b>																				
15.2cm (6in)	0	0.0	14.8	24.3	35.5	47.0	59.2	68.7	79.4	90.7	100.8	110.1	119.6	129.7	140.7	151.2	162.0	172.1	180.8	187.6	194.1
17.8cm (7in)	0	0.0	12.7	20.9	30.4	40.3	50.7	58.9	68.0	77.8	88.3	94.4	102.5	111.1	120.6	129.7	138.9	147.5	154.9	160.9	166.4
19.1cm (7.5in)	0	0.0	11.8	19.4	28.4	37.6	47.4	55.0	63.5	72.6	80.6	88.1	95.7	103.7	112.5	121.0	129.7	137.6	144.6	150.1	155.3
20.3cm (8in)	0	0.0	11.1	18.2	26.8	35.3	44.3	51.5	59.5	68.0	75.6	82.6	89.7	97.2	105.5	113.4	121.6	129.1	135.5	140.8	145.6
25.4cm (10in)	0	0.0	8.9	14.6	21.2	28.2	35.5	41.2	47.6	54.5	60.5	66.1	71.7	77.8	84.4	90.7	97.2	103.3	108.5	112.6	116.4

### Rice, Long Grain (4 of 4)

(based on 0.60 kg per liter)

Drive Type 4	Seed Rate Handle Setting																				
	0	5	10	15	20	25	30	35	40	45	50	55	60	65	70	75	80	85	90	95	100
<b>Rows</b>	<b>Seed Rate in Kilograms per Hectare</b>																				
15.2cm (6in)	0	0.0	24.1	39.6	57.8	76.6	96.4	112.0	129.4	148.0	164.3	179.6	195.0	211.4	229.4	246.5	264.5	280.6	294.7	305.9	316.5
17.8cm (7in)	0	0.0	20.7	34.0	49.5	65.7	82.7	96.0	110.9	126.9	140.8	154.0	167.2	181.2	196.6	211.4	226.4	240.5	252.6	262.3	271.2
19.1cm (7.5in)	0	0.0	19.3	31.7	46.3	61.3	77.2	89.6	103.6	118.3	131.5	143.7	155.9	169.1	183.4	197.3	211.4	224.4	235.8	244.7	253.2
20.3cm (8in)	0	0.0	18.1	29.8	43.3	57.5	72.4	84.0	97.1	110.9	123.3	134.7	148.3	158.5	172.0	184.9	198.2	210.4	221.1	229.5	237.3
25.4cm (10in)	0	0.0	14.5	23.8	34.7	45.9	57.9	67.2	77.7	88.8	98.6	107.8	117.0	126.9	137.6	148.0	158.5	168.4	176.8	183.6	189.8

### Rye

(based on 0.73 kg per liter)

Drive Type 1	Seed Rate Handle Setting																				
	0	5	10	15	20	25	30	35	40	45	50	55	60	65	70	75	80	85	90	95	100
<b>Rows</b>	<b>Seed Rate in Kilograms per Hectare</b>																				
15.2cm (6in)	0	3.1	8.8	14.1	20.8	26.9	31.4	38.8	45.7	52.8	59.4	65.1	70.6	76.7	82.9	90.4	97.1	105.0	113.4	114.2	114.6
17.8cm (7in)	0	2.7	7.5	12.1	17.7	23.0	26.9	33.3	39.2	45.2	51.0	55.8	60.5	65.8	71.0	77.5	83.3	90.0	97.2	97.9	98.2
19.1cm (7.5in)	0	2.5	7.1	11.3	16.6	21.6	25.1	31.1	36.6	42.2	47.6	52.1	56.5	61.4	66.2	72.3	77.7	84.0	90.7	91.3	91.6
20.3cm (8in)	0	2.4	6.6	10.7	15.5	20.2	23.6	29.2	34.2	39.5	44.6	48.8	53.0	57.5	62.1	67.7	72.9	78.7	85.0	85.5	85.9
25.4cm (10in)	0	1.9	5.3	8.5	12.5	16.2	18.9	23.4	27.4	31.7	35.7	39.1	42.4	46.0	49.7	54.2	58.3	63.0	68.0	68.5	68.7

### Soybeans (1 of 4)

(based on 0.75 kg per liter)

Drive Type 1	Seed Rate Handle Setting																				
	0	5	10	15	20	25	30	35	40	45	50	55	60	65	70	75	80	85	90	95	100
<b>Rows</b>	<b>Seed Rate in Kilograms per Hectare</b>																				
15.2cm (6in)	0	3.1	8.8	14.7	21.7	25.9	32.2	37.8	43.9	50.2	55.5	62.2	68.5	74.3	80.2	88.4	91.5	97.6	103.8	104.4	104.7
17.8cm (7in)	0	2.7	7.5	12.6	18.5	22.2	27.6	32.4	37.6	43.0	47.6	53.3	58.7	63.7	68.7	74.1	78.4	83.6	89.0	89.5	89.7
19.1cm (7.5in)	0	2.5	7.0	11.8	17.3	20.8	25.7	30.3	35.1	40.1	44.3	49.7	54.8	59.5	64.2	69.2	73.2	78.0	83.1	83.5	83.8
20.3cm (8in)	0	2.4	6.5	11.0	16.3	19.4	24.1	28.4	32.9	37.6	41.7	46.7	51.3	55.7	60.2	64.8	68.6	73.1	77.9	78.3	78.5
25.4cm (10in)	0	1.9	5.3	8.9	13.0	15.6	19.3	22.7	26.4	30.1	33.3	37.4	41.1	44.6	48.2	51.9	54.9	58.5	62.3	62.8	62.9

## Metric Rate Charts, Main Seed Box, continued...

### Soybeans (2 of 4)

((based on 0.75 kg per liter)

Drive Type 2	Seed Rate Handle Setting																				
	0	5	10	15	20	25	30	35	40	45	50	55	60	65	70	75	80	85	90	95	100
Rows	Seed Rate in Kilograms per Hectare																				
15.2cm (6in)	0	6.5	18.0	30.2	44.5	53.3	66.1	77.8	90.3	103.1	114.1	127.9	140.7	152.8	164.8	177.6	187.9	200.5	213.4	214.5	215.2
17.8cm (7in)	0	5.5	15.4	25.9	38.2	45.7	56.7	66.7	77.4	88.4	97.8	109.6	120.6	130.9	141.3	152.2	161.1	171.9	183.0	183.9	184.5
19.1cm (7.5in)	0	5.2	14.4	24.3	35.6	42.7	52.9	62.2	72.3	82.4	91.3	102.3	112.5	122.1	131.9	142.1	150.3	160.4	170.8	171.7	172.1
20.3cm (8in)	0	4.8	13.5	22.7	33.3	40.1	49.6	58.4	67.7	77.4	85.5	96.0	105.5	114.5	123.6	133.2	141.0	150.3	160.1	160.9	161.4
25.4cm (10in)	0	3.9	10.8	18.2	26.7	32.0	39.6	46.7	54.2	61.9	68.5	76.8	84.4	91.6	98.9	106.5	112.8	120.4	127.6	128.8	129.1

### Soybeans (3 of 4)

(based on 0.75 kg per liter)

Drive Type 3	Seed Rate Handle Setting																				
	0	5	10	15	20	25	30	35	40	45	50	55	60	65	70	75	80	85	90	95	100
Rows	Seed Rate in Kilograms per Hectare																				
15.2cm (6in)	0	12.9	25.3	45.4	66.8	79.4	99.8	113.4	130.6	147.4	166.3	184.1	202.9	220.4	239.8	255.4	278.7	297.9	317.4	317.7	318.0
17.8cm (7in)	0	11.1	21.7	38.8	57.3	68.0	85.5	97.2	111.9	126.4	142.5	157.7	173.9	189.0	205.6	218.9	238.9	255.3	272.0	272.4	254.5
19.1cm (7.5in)	0	10.3	20.2	36.3	53.4	63.5	79.8	90.7	104.5	118.0	133.0	147.3	162.3	176.3	191.9	204.3	223.0	238.2	253.9	254.1	254.5
20.3cm (8in)	0	9.8	19.0	34.0	50.1	59.5	74.9	85.1	98.0	110.6	124.7	138.1	152.1	165.3	179.9	191.5	209.0	223.4	238.0	238.2	238.6
25.4cm (10in)	0	7.7	15.2	27.2	40.1	47.6	59.8	68.0	78.4	88.5	99.7	110.5	121.7	132.3	143.9	153.2	167.2	178.7	190.5	190.8	190.8

### Soybeans (4 of 4)

(based on 0.75 kg per liter)

Drive Type 4	Seed Rate Handle Setting																				
	0	5	10	15	20	25	30	35	40	45	50	55	60	65	70	75	80	85	90	95	100
Rows	Seed Rate in Kilograms per Hectare																				
15.2cm (6in)	0	21	42	74	109	130	163	186	214	241	272	301	332	361	392	418	456	488	522	522	522
17.8cm (7in)	0	18	35	63	94	112	140	159	184	207	233	258	285	309	337	358	391	418	447	447	447
19.1cm (7.5in)	0	17	33	60	88	104	131	149	171	193	217	241	266	288	314	335	365	390	417	418	418
20.3cm (8in)	0	16	32	55	82	97	123	140	160	181	204	225	249	270	294	313	343	365	391	391	392
25.4cm (10in)	0	12	25	45	65	78	98	112	128	144	163	163	199	216	236	251	274	293	313	313	313

### Sunflower

(based on 0.36 kg per liter)

Drive Type 1	Seed Rate Handle Setting																				
	0	5	10	15	20	25	30	35	40	45	50	55	60	65	70	75	80	85	90	95	100
Rows	Seed Rate in Kilograms per Hectare																				
15.2cm (6in)	0	0.0	2.2	4.7	6.8	9.3	12.0	14.5	17.3	20.0	22.7	25.3	28.0	30.6	33.3	35.8	38.3	40.4	43.0	44.2	45.7
17.8cm (7in)	0	0.0	2.0	4.0	6.0	8.0	10.3	12.5	14.8	17.1	19.4	21.7	23.9	26.3	28.5	30.6	32.8	34.7	36.9	37.9	39.2
19.1cm (7.5in)	0	0.0	1.8	3.8	5.5	7.5	9.5	11.6	13.8	15.9	18.2	20.2	22.3	24.6	26.6	28.6	30.6	32.3	34.5	35.4	36.5
20.3cm (8in)	0	0.0	1.7	3.8	5.2	7.0	9.0	10.9	12.9	14.9	17.0	18.9	21.0	23.0	25.0	26.8	28.7	30.3	32.2	33.2	34.2
25.4cm (10in)	0	0.0	1.3	2.8	4.2	5.6	7.2	8.8	10.3	12.0	13.6	15.2	16.7	18.4	20.0	21.4	22.9	24.3	25.8	26.6	27.4

## Metric Rate Charts, Main Seed Box, continued...

### Wheat (1 of 2)

(based on 0.82 kg per liter)

Drive Type 2	Seed Rate Handle Setting																				
	0	5	10	15	20	25	30	35	40	45	50	55	60	65	70	75	80	85	90	95	100
<b>Rows</b>	<b>Seed Rate in Kilograms per Hectare</b>																				
15.2cm (6in)	0	14.0	24.6	34.1	44.3	55.8	64.4	78.5	90.3	102.6	117.5	129.2	143.0	157.5	170.9	184.3	198.8	213.2	227.9	230.9	231.2
17.8cm (7in)	0	12.0	21.1	29.3	37.9	47.8	55.2	67.2	77.4	87.9	100.7	110.7	122.6	134.9	146.5	158.0	170.3	182.8	195.3	197.9	196.2
19.1cm (7.5in)	0	11.2	19.8	27.3	35.5	44.6	51.5	62.8	72.3	82.1	94.1	103.4	114.4	126.0	136.7	147.4	159.0	170.7	182.3	184.8	184.9
20.3cm (8in)	0	10.6	18.5	25.6	33.2	41.8	48.3	58.8	67.7	77.0	88.1	96.9	107.3	118.1	128.2	138.2	149.1	160.0	171.0	173.2	173.3
25.4cm (10in)	0	8.4	14.8	20.4	26.6	33.5	38.6	47.0	54.2	61.5	70.5	77.6	85.8	94.5	102.5	110.6	119.2	128.0	136.7	138.5	138.8

### Wheat (2 of 2)

(based on 0.82 kg per liter)

Drive Type 3	Seed Rate Handle Setting																				
	0	5	10	15	20	25	30	35	40	45	50	55	60	65	70	75	80	85	90	95	100
<b>Rows</b>	<b>Seed Rate in Kilograms per Hectare</b>																				
15.2cm (6in)	0	17.9	34.4	50.2	66.8	83.3	98.2	116.3	134.8	153.2	172.1	188.6	206.4	227.2	247.2	269.3	287.2	307.2	325.4	333.1	335.5
17.8cm (7in)	0	15.3	29.4	43.1	57.3	71.4	84.2	99.7	115.5	131.4	147.5	161.7	178.6	194.8	212.0	230.8	246.1	263.4	278.9	285.6	287.5
19.1cm (7.5in)	0	14.3	27.5	40.2	53.4	66.6	78.6	93.1	107.9	122.6	137.6	150.9	166.7	181.8	197.8	215.4	229.7	245.8	260.4	266.5	268.3
20.3cm (8in)	0	13.4	25.7	37.7	50.1	62.4	73.6	87.2	101.2	115.0	129.1	141.5	156.3	170.4	185.5	202.0	215.3	230.4	244.1	249.9	251.6
25.4cm (10in)	0	10.7	20.7	30.1	40.1	50.0	58.9	69.5	80.8	91.9	103.3	113.2	125.1	138.3	148.3	161.6	172.3	184.3	195.2	199.8	201.3

### Wheatgrass

(based on 0.30 kg per liter)

Drive Type 1	Seed Rate Handle Setting																				
	0	5	10	15	20	25	30	35	40	45	50	55	60	65	70	75	80	85	90	95	100
<b>Rows</b>	<b>Seed Rate in Kilograms per Hectare</b>																				
15.2cm (6in)	0	0.0	1.0	2.4	3.4	4.7	5.7	6.7	8.3	9.4	10.8	12.1	13.4	14.7	15.9	17.3	18.9	20.1	20.4	20.8	23.4
17.8cm (7in)	0	0.0	0.9	2.0	2.9	4.0	4.9	5.7	7.1	8.1	9.3	10.4	11.5	12.6	13.7	14.8	16.2	17.2	17.4	17.9	20.0
19.1cm (7.5in)	0	0.0	0.8	1.9	2.7	3.8	4.6	5.4	6.6	7.5	8.6	9.7	10.7	11.8	12.8	13.9	15.0	16.1	16.3	16.6	18.6
20.3cm (8in)	0	0.0	0.8	1.8	2.5	3.6	4.4	5.1	6.2	7.1	8.1	9.1	10.0	11.0	12.0	13.0	14.1	15.0	15.3	15.6	17.5
25.4cm (10in)	0	0.0	0.7	1.5	2.0	2.8	3.5	4.0	4.9	5.7	6.5	7.3	8.0	8.9	9.5	10.4	11.3	12.0	12.2	12.5	14.0

## Metric Rate Charts, Small Seeds Box

See page 12 for instructions.  
 Charts in U.S. customary units begin on page 13.

### Alfalfa, Red Alsike, Crimson Clover

Metric	Small Seeds Cup Lever Setting																				
	0	5	10	15	20	25	30	35	40	45	50	55	60	65	70	75	80	85	90	95	100
Rows	Seeding Rate in Kilograms per Hectare																				
15.2cm (6in)	0	0.0	2.5	3.9	5.4	6.8	8.5	9.8	11.0	12.6	14.1	15.5	17.0	18.5	19.7	21.0	22.8	24.1	25.8	27.0	28.4
17.8cm (7in)	0	0.0	2.1	3.4	4.6	5.7	7.2	8.5	9.5	10.7	12.2	13.3	14.5	15.8	16.9	18.4	19.5	20.6	22.5	23.2	24.3
19.1cm (7.5in)	0	0.0	2.0	3.2	4.4	5.4	6.8	7.9	8.9	10.1	11.3	12.5	13.6	14.9	15.8	17.2	18.3	19.4	20.6	21.7	22.9
20.3cm (8in)	0	0.0	1.8	2.9	4.1	5.1	6.3	7.4	8.3	9.5	10.6	11.6	12.7	13.9	14.8	14.8	17.1	18.1	19.3	19.3	21.3
25.4cm (10in)	0	0.0	1.5	2.4	3.2	3.9	5.0	5.7	6.5	7.4	8.3	9.1	10.0	10.9	11.6	12.6	13.4	14.2	15.1	15.1	15.1

### Kentucky Bluegrass, Fescue, Annual Rye Grass

Metric	Small Seeds Cup Lever Setting																				
	0	5	10	15	20	25	30	35	40	45	50	55	60	65	70	75	80	85	90	95	100
Rows	Seeding Rate in Kilograms per Hectare																				
15.2cm (6in)	0	0.0	0.2	1.4	2.1	3.0	3.7	4.6	5.2	5.9	6.5	7.1	7.7	8.2	8.8	9.4	9.9	10.4	10.9	11.3	11.8
17.8cm (7in)	0	0.0	0.2	1.1	1.8	2.6	3.2	3.9	4.5	5.1	5.6	6.1	6.6	7.1	7.5	8.0	8.5	8.9	9.0	9.7	10.1
19.1cm (7.5in)	0	0.0	0.2	1.0	1.7	2.5	3.0	3.7	4.2	4.7	5.2	5.7	6.2	6.6	7.1	7.5	7.9	8.3	8.3	9.1	9.5
20.3cm (8in)	0	0.0	0.2	1.0	1.6	2.3	2.3	3.4	3.9	4.4	4.8	5.4	5.4	6.2	6.6	7.0	7.4	7.4	8.5	8.5	8.9
25.4cm (10in)	0	0.0	0.1	0.8	0.8	1.8	2.3	2.3	2.3	3.5	3.5	4.2	4.5	4.8	5.2	5.5	5.5	6.1	6.1	6.6	7.0

### Bermuda, Red Top, Lespedeza Unhulled, Sercia, Sand, Weeping Love Grass

Metric	Small Seeds Cup Lever Setting																				
	0	5	10	15	20	25	30	35	40	45	50	55	60	65	70	75	80	85	90	95	100
Rows	Seeding Rate in Kilograms per Hectare																				
15.2cm (6in)	0	0.0	0.8	1.2	1.9	2.9	3.7	4.6	5.6	6.6	7.4	8.1	8.8	9.5	10.1	10.7	11.5	12.3	13.1	13.7	14.5
17.8cm (7in)	0	0.0	0.7	1.0	1.7	2.5	3.2	4.1	4.8	5.7	6.3	7.0	7.0	8.0	8.7	9.1	9.8	10.6	11.3	11.8	12.4
19.1cm (7.5in)	0	0.0	0.6	1.0	1.6	2.4	2.9	3.7	4.5	5.3	6.0	6.5	7.1	7.5	8.1	8.6	9.2	9.9	10.5	11.0	11.7
20.3cm (8in)	0	0.0	0.6	0.9	1.5	2.3	2.8	3.5	4.3	5.0	5.5	6.1	6.6	7.3	7.5	8.0	8.6	9.2	9.8	10.4	10.9
25.4cm (10in)	0	0.0	0.5	0.7	1.1	1.7	2.1	2.7	3.4	3.9	4.4	4.7	5.2	5.2	6.0	6.3	6.8	7.2	7.7	8.1	8.1

### Red & Sweet Clover, Lespedeza Hulled

Metric	Small Seeds Cup Lever Setting																				
	0	5	10	15	20	25	30	35	40	45	50	55	60	65	70	75	80	85	90	95	100
Rows	Seeding Rate in Kilograms per Hectare																				
15.2cm (6in)	0	0.0	1.7	3.8	3.8	8.0	10.1	12.7	14.9	17.2	19.2	21.4	23.4	25.4	27.6	29.7	31.9	33.9	36.2	38.1	40.1
17.8cm (7in)	0	0.0	1.5	3.3	5.1	6.9	8.7	10.9	12.7	14.8	16.5	18.4	20.1	21.7	23.7	25.6	27.7	29.1	31.0	32.7	34.4
19.1cm (7.5in)	0	0.0	1.4	3.0	4.7	6.4	8.1	10.3	11.9	13.9	15.4	17.2	18.8	20.4	22.2	23.9	25.6	27.3	29.1	30.6	32.2
20.3cm (8in)	0	0.0	1.2	2.8	4.4	4.4	7.5	9.6	11.2	13.0	14.4	16.1	17.6	19.0	20.6	22.3	23.9	25.5	27.2	28.6	30.1
25.4cm (10in)	0	0.0	1.0	2.3	3.5	4.7	6.0	7.5	8.8	10.1	11.3	12.6	13.7	15.0	16.2	17.6	18.7	20.1	21.3	21.3	23.6

## Metric Rate Charts, Small Seeds Box, continued...

### Orchard Grass

Metric	Small Seeds Cup Lever Setting																				
	0	5	10	15	20	25	30	35	40	45	50	55	60	65	70	75	80	85	90	95	100
<b>Rows</b>	<b>Seeding Rate in Kilograms per Hectare</b>																				
<b>15.2cm (6in)</b>	0	0.0	0.0	0.3	0.8	1.0	1.5	1.7	2.3	2.7	3.2	3.7	3.9	4.4	5.0	5.4	5.6	6.2	6.4	6.4	7.1
<b>17.8cm (7in)</b>	0	0.0	0.0	0.2	0.7	0.8	1.2	1.5	1.9	2.4	2.7	3.2	3.4	3.8	4.2	4.6	4.8	5.3	5.6	5.6	6.1
<b>19.1cm (7.5in)</b>	0	0.0	0.0	0.2	0.6	0.8	0.8	1.4	1.4	1.4	1.4	1.4	3.2	3.6	3.9	4.4	4.5	5.0	5.2	5.5	5.5
<b>20.3cm (8in)</b>	0	0.0	0.0	0.2	0.6	0.8	1.1	1.2	1.7	2.0	2.4	2.8	2.9	3.3	3.7	4.1	4.3	4.6	4.8	5.2	5.4
<b>25.4cm (10in)</b>	0	0.0	0.0	0.1	0.5	0.6	0.9	1.0	1.4	1.6	1.9	2.1	2.4	2.6	2.9	3.2	3.4	3.6	3.7	4.1	4.2

### Millet, Reed Canary

Metric	Small Seeds Cup Lever Setting																				
	0	5	10	15	20	25	30	35	40	45	50	55	60	65	70	75	80	85	90	95	100
<b>Rows</b>	<b>Seeding Rate in Kilograms per Hectare</b>																				
<b>15.2cm (6in)</b>	0	0.5	1.6	2.7	3.9	5.0	6.2	7.3	8.5	9.6	10.7	11.8	13.0	14.1	15.3	16.5	17.6	18.7	19.8	20.8	21.4
<b>17.8cm (7in)</b>	0	0.5	1.4	2.4	3.4	4.3	5.3	6.3	7.2	8.2	9.1	10.1	11.2	12.1	13.1	14.1	15.0	16.0	17.0	17.9	18.1
<b>19.1cm (7.5in)</b>	0	0.3	1.4	1.4	1.4	4.1	5.0	5.9	6.8	7.7	8.6	9.5	10.5	11.4	12.3	13.2	14.1	15.0	15.9	16.8	17.0
<b>20.3cm (8in)</b>	0	0.3	1.2	2.0	2.9	3.7	4.6	5.5	5.5	7.2	8.0	8.9	9.7	10.6	11.5	12.3	13.2	14.0	14.9	15.7	15.9
<b>25.4cm (10in)</b>	0	0.3	0.9	1.6	2.3	2.3	3.6	4.3	5.0	5.6	6.3	7.0	7.0	8.3	9.0	9.7	10.4	11.0	11.7	12.3	13.0

### Ladino Clover, Canary Grass, Timothy, Canola

Metric	Small Seeds Cup Lever Setting																				
	0	5	10	15	20	25	30	35	40	45	50	55	60	65	70	75	80	85	90	95	100
<b>Rows</b>	<b>Seeding Rate in Kilograms per Hectare</b>																				
<b>15.2cm (6in)</b>	0	0.0	1.2	2.4	3.7	5.3	6.9	8.6	10.4	12.1	13.7	15.5	17.5	19.2	20.7	22.9	24.5	26.4	28.6	30.8	32.9
<b>17.8cm (7in)</b>	0	0.0	1.0	1.9	1.9	4.6	5.9	7.4	8.9	10.4	11.8	13.3	15.0	16.5	17.9	19.6	21.1	22.5	24.8	26.4	28.3
<b>19.1cm (7.5in)</b>	0	0.0	1.0	1.8	2.9	4.4	4.4	4.4	8.3	9.7	11.0	12.5	14.1	15.4	16.8	18.4	19.8	21.2	23.0	24.7	26.5
<b>20.3cm (8in)</b>	0	0.0	0.9	1.7	1.7	4.1	5.2	6.4	7.8	7.8	10.4	11.6	13.1	14.4	15.7	15.7	18.5	19.7	21.4	21.4	24.7
<b>25.4cm (10in)</b>	0	0.0	0.7	1.7	2.1	2.8	4.1	5.1	6.1	7.1	8.1	9.1	10.3	11.3	12.3	13.5	14.5	15.5	16.8	18.1	19.4

### Birdsfoot, Trefoil, Sudan

Metric	Small Seeds Cup Lever Setting																				
	0	5	10	15	20	25	30	35	40	45	50	55	60	65	70	75	80	85	90	95	100
<b>Rows</b>	<b>Seeding Rate in Kilograms per Hectare</b>																				
<b>15.2cm (6in)</b>	0	0.0	1.9	3.7	5.9	7.7	7.7	12.1	12.1	16.6	18.9	18.9	23.9	26.4	28.8	28.8	33.7	36.2	38.5	40.9	43.3
<b>17.8cm (7in)</b>	0	0.0	1.7	3.2	5.1	6.5	8.5	10.4	12.3	14.1	16.2	18.6	20.5	22.5	22.5	27.0	28.8	31.0	32.7	35.0	37.1
<b>19.1cm (7.5in)</b>	0	0.0	1.6	1.6	1.6	1.6	7.9	9.7	11.5	11.5	15.2	17.4	17.4	17.4	17.4	25.4	27.0	29.1	31.1	32.8	32.8
<b>20.3cm (8in)</b>	0	0.0	1.5	2.8	4.4	5.7	7.4	9.1	10.7	12.4	14.2	16.2	17.9	19.7	21.6	23.7	25.2	27.2	29.0	30.6	32.5
<b>25.4cm (10in)</b>	0	0.0	1.1	2.1	3.5	4.5	5.7	7.1	8.5	9.7	11.2	12.7	12.7	15.5	17.0	18.6	19.8	21.3	22.8	24.1	25.6

## Metric Fertilizer Rate

See page 15 for instructions.

Chart in U.S. customary units is on page 16.

### Metric Fertilizer Rate Chart

Metric	Setting Number																		
	10	15	20	25	30	35	40	45	50	55	60	65	70	75	80	85	90	95	100
<b>Rows</b>	<b>Application Rate - Kilograms per Hectare</b>																		
<b>15.2cm (6in)</b>	17	26	35	54	72	98	122	140	157	189	219	236	253	278	303	331	359	387	414
<b>17.8cm (7in)</b>	15	22	29	43	61	83	104	119	134	161	186	201	214	237	258	282	305	329	353
<b>19.1cm (7.5in)</b>	13	20	27	42	57	76	98	112	126	150	175	189	202	222	243	265	287	310	331
<b>20.3cm (8in)</b>	12	19	26	40	54	70	92	106	118	141	164	177	190	209	228	248	269	291	311
<b>25.4cm (10in)</b>	10	16	21	33	43	58	74	84	94	113	131	141	152	167	182	199	216	232	248

### Density Conversion Chart

Density, kg/l	725	800	875	950	1041	1125	1200	1275
<b>Conversion Factor</b>	1.44	1.30	1.19	1.10	1.00	0.93	0.87	0.82

**Great Plains Manufacturing, Inc.**

Corporate Office: P.O. Box 5060  
Salina, Kansas 67402-5060 USA