

Installation Instructions



Vansco Shaft Monitor Option

Used with:

- 2Sf24 and 2S30
- 2600-2S
- 3000-3S
- 20 Series Three-Point Drills
- 2700 and 3000



When you see this symbol, the subsequent instructions and warnings are serious - follow without exception. Your life and the lives of others depend on it!

General Information

These instructions explain how to install the Vansco shaft monitor. The shaft monitor is designed to detect when a section of the drill has malfunctioned and stopped seeding. When a drill shaft stops turning for 30 seconds or more, the system signals the monitor head and sounds a warning.

These instructions apply to:

- 116-120A Vansco 2-Channel Shaft Monitor
116-121A Vansco 3-Channel Shaft Monitor

Manual Update

Refer to the drill operator's manual for detailed information on safely operating, troubleshooting and maintaining the Vansco shaft monitor. Refer to the parts manual for part identification.

Before You Start

On page 3 are detailed listing of parts included in the option packages. Use these lists to inventory parts received.

Assembly Instructions

1. Attach magnet to feeder-cup shaft.

For drills with round, plastic spacer tubes: Attach magnet to spacer tube between first and second or second and third feeder cup on non-drive end of feeder-cup channel. Use cable ties to secure magnet to spacer tube. On each side of the cable ties, use a saw to cut slots one-quarter of the way around spacer tube. See Figure 1. Tighten ties enough to compress cut portion of spacer tube onto feeder-cup shaft.

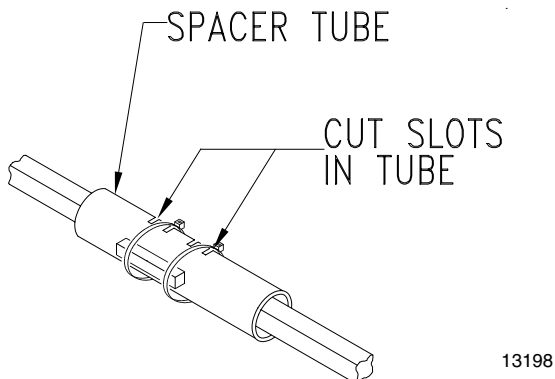


Figure 1
Mount Magnet on Spacer Tube

Drills without round, plastic spacer tubes: Attach magnet to feeder-cup shaft between first and second or second and third feeder cup on non-drive end of feeder-cup channel. Use cable ties to secure magnet to shaft.

IMPORTANT: Be sure ends of cable tie are on the side opposite the magnet.

2. Refer to Figure 2. Mount switch (1) on bracket (2) with 1 1/2 - inch-long screws. Center switch on bracket. Secure screw with flat washers, lock washers and nuts.

NOTE: For narrow row spacing drills it may be necessary to use the narrow row switch mount instead of the vansco switch bracket.

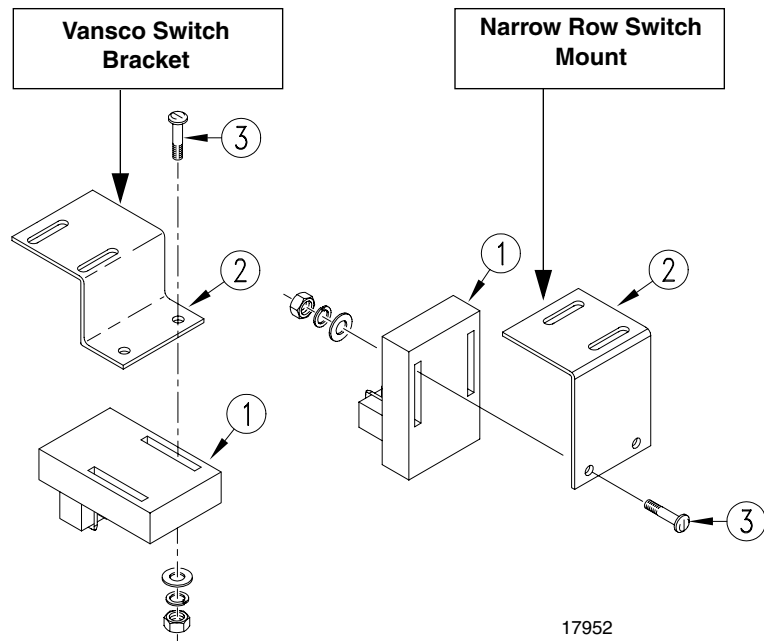


Figure 2
Mount Switch on Bracket

3. Set feeder cups at 50 percent open.
4. With switch mounted on bracket, use bracket to mark mounting holes on feeder-cup tray. When mounted, the sensor end of the switch should be aligned with center of magnet and there should be a 1/8-inch gap between switch and magnet. See Figure 3.

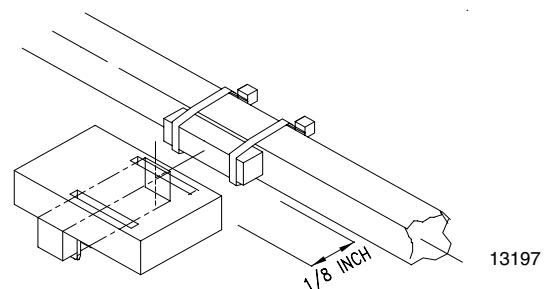


Figure 3
Switch-to-Magnet

Mark hole locations and drill two, 3/16-inch-diameter holes through feeder-cup channel.

NOTE: Some drills already have holes for the brackets in the feeder-cup channels.

Assembly

Refer to Figure 4.

5. Mount bracket and switch (1) on feeder-cup channel using 1/2-inch-long screws (2), flat washers, lock washers and nuts.

NOTE: For narrow row spacing drills, mount narrow row switch mount as shown in Figure 5.

NOTE: For drills with 6-inch-spacing, mount bracket so sensor end of switch is parallel to magnet. See Figure 6.

6. Repeat steps to mount magnet and switch for other drill sections.
7. Install shaft monitor head (3) on tractor for operator convenience. Use 1/4-inch bolts, flat washers, lock washers and nuts.
8. Connect lead from monitor (4) to a 12-volt, DC power source.
9. Attach ends of implement harness (5) to switches. Route implement harness over drill frame to tractor.

NOTE: When routing wires avoid areas that could cut wiring.

10. Plug male connector (6) on implement harness into female connector (7) from monitor.

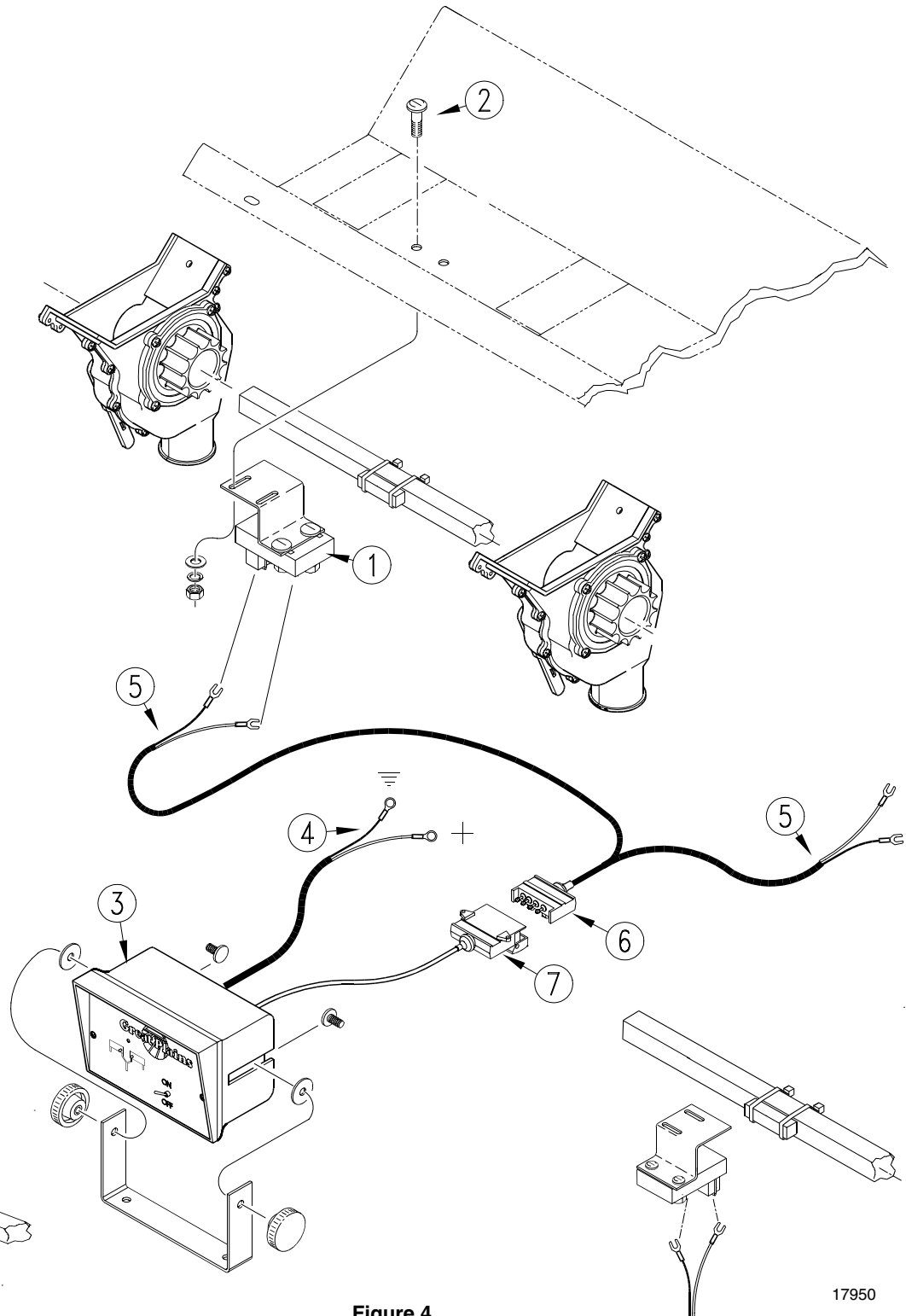


Figure 4
Assemble Switch and Monitor⁷⁹⁵¹

Figure 6
Switch Position for 6-Inch
Row Spacing Only

17950

23207

Figure 5
Narrow Row Switch Mount

Listing of Parts**116-120A Vansco 2-Channel Shaft Monitor***Your Kit Includes:*

Qty.	Part No.	Part Description
2	116-132K	VANSCO MAGNET & CABLE TIE A
2	116-181D	VANSCO SWITCH BRACKET
4	801-016C	SCREW RD HD 8-32 X 1/2 LG P
4	801-067C	SCREW RD HD 8-32 X 1 1/2 LG PLT
8	803-064C	NUT HEX 8-32
8	804-043C	WASHER LOCK #8
8	804-088C	WASHER FLAT #8 PLT
1	823-059C	VANSCO 2 CHANNEL SHAFT MONI
1	116-320D	NARROW ROW SWITCH MOUNT

116-121A Vansco 3-Channel Shaft Monitor*Your Kit Includes:*

Qty.	Part No.	Part Description
3	116-132K	VANSCO MAGNET & CABLE TIE A
3	116-181D	VANSCO SWITCH BRACKET
6	801-016C	SCREW RD HD 8-32 X 1/2 LG P
6	801-067C	SCREW RD HD 8-32 X 1 1/2 LG PLT
12	803-064C	NUT HEX 8-32
12	804-043C	WASHER LOCK #8
12	804-088C	WASHER FLAT #8 PLT
1	823-060C	VANSCO 3 CHANNEL SHAFT MONI
1	116-121A	VANSCO 3-CHNL SHAFT MONITOR
1	116-320D	NARROW ROW SWITCH MOUNT