

2 | CPH Stud Repair Kit

Refer to Figure 2

4. Weld CPH fix tubes on each side of pull hitch axle frame plate.
5. Repeat step 4 on pull hitch axle frame on opposite side of hitch.

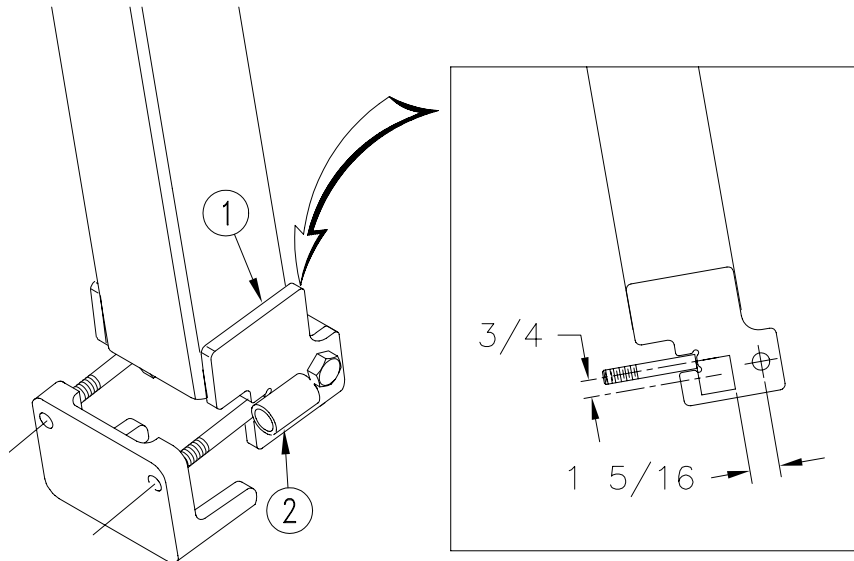


Figure 2
CPH Fix Tubes

23221

Refer to Figure 3

6. Replace front slide block back plate with CPH fix bar (1).
7. Secure bar (1) to front slide block (2) with bolt and nut hex.

NOTE: If only one stud is broken, either replace only broken stud with a 5/8" x 3" bolt and nut hex lock provided in kit or replace both studs with a 5/8" x 3" bolt and nut hex from kit. If both studs are broken, replace both with a 5/8" x 3" bolt and nut hex from kit.

8. Insert 5/8" x 6" bolt (4) through CPH fix tube (5) and secure to CPH fix bar (1) with nut hex (6).
9. Repeat steps 6 and 7 on pull hitch axle frame on opposite side of hitch.

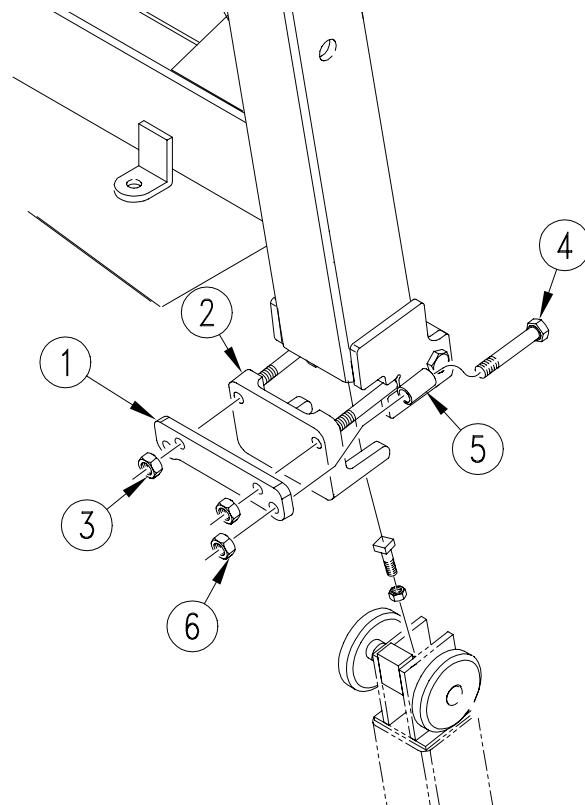


Figure 3
CPH Fix Bar

23222

148-098A CPH STUD REPAIR KIT

Your kit includes:

Qty.	Part No.	Part Description
4	248-480D	CPH FIX TUBE
2	248-481D	CPH FIX BAR
4	802-116C	HHCS 5/8-11 x 6 GR5
4	802-059C	HHCS 5/8-11 x 3 GR5
8	803-148C	NUT HEX NYLOCK 5/8-11 PLT
1	148-098M	CPH STUD REPAIR KIT MANUAL