

# Parts Manual

Electric Hydraulic Boom Solenoid

1995 +

# Great Plains

Manufacturing, Inc.

P.O. Box 5060 • Salina, Kansas 67402-5060



Read the Operator's manual entirely. When you see this symbol, the subsequent instructions and warnings are serious - follow without exception. Your life and the lives of others depend on it!

# Table of Contents

<b>Section 1 Introduction</b> . . . . .	<b>1-1</b>	Trailer Sprayer Boom Controls 3-Spool Valve (S/N 3430-) . . . . .	2-7
<b>General Information</b> . . . . .	<b>1-1</b>	3-Point Boom Controls 2-Spool Valve . . . . .	2-9
Revisions . . . . .	1-1	3-Point Electric/Hydraulic Control Base Assembly . . . . .	2-11
Touch-up Paint and Manual Information . . . . .	1-1	Boom Controls Open Center Conversion . . . . .	2-13
Replacement Hardware . . . . .	1-1	Hydraulic Solenoid Assembly (810-239C) . . . . .	2-15
Part Number Service Coding . . . . .	1-2	Hydraulic Solenoid Assembly (810-266C) . . . . .	2-17
Part Number Index . . . . .	1-3	Bypass Valve Assembly (810-257C) . . . . .	2-19
<b>Section 2 Solenoid Assemblies</b> . . . . .	<b>2-1</b>	Seal Kits for Control Valves . . . . .	2-21
Trailer Sprayer & 3-Point Boom Controls w/Hydraulic Elevator (S/N 3431+) . . . . .	2-1	Decal Placement . . . . .	2-23
Trailer Sprayer & 3-Point Boom Controls w/Hydraulic Elevator CF600 . . . . .	2-3		
Electric/Hydraulic Control Base Assembly (S/N 3431+) . . . . .	2-5		

© Copyright 1998 All rights Reserved

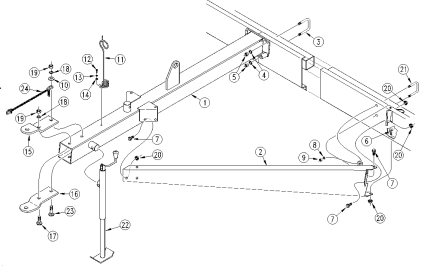
Great Plains Manufacturing, Inc. provides this publication "as is" without warranty of any kind, either expressed or implied. While every precaution has been taken in the preparation of this manual, Great Plains Manufacturing, Inc. assumes no responsibility for errors or omissions. Neither is any liability assumed for damages resulting from the use of the information contained herein. Great Plains Manufacturing, Inc. reserves the right to revise and improve its products as it sees fit. This publication describes the state of this product at the time of its publication, and may not reflect the product in the future. The illustrations in this manual are not intended for safe and proper assembly or disassembly of equipment. The illustrations are intended for ordering parts only.

Great Plains Manufacturing, Incorporated Trademarks

The following are trademarks of Great Plains Mfg., Inc.: Application Systems, Ausherman, Land Pride, Great Plains

All other brands and product names are trademarks or registered trademarks of their respective holders.

*Printed in the United States of America.*

Section Number & Description	Serial Number Break	Illustration Page	Parts Page
<p>Section 2 Frames  <b>Tongue &amp; Pull Bar (S/N 00000-)</b>                      Great Plains Mfg., Inc.</p> <p><b>Illustration Heading</b></p>  <p><b>Illustration</b></p> <p><b>Illustration Number</b></p> <p>10207</p> <p>2-1 EWD13 13' End Wheel Drill 175-083P 5/21/98</p> <p><b>Left Page Number</b></p> <p><b>Manual Name &amp; Number</b></p> <p><b>New or Modification Date</b></p>			<p>Great Plains Mfg., Inc. Section 2 Frames  <b>Tongue &amp; Pull Bar (S/N 00000-)</b></p> <p><b>Parts List</b></p> <ol style="list-style-type: none"> <li>1. 177-001H 13' END WHEEL TONGUE WELDMENT</li> <li>2. 177-004H PULL BAR WELDMENT LH</li> <li>2. 177-005H PULL BAR WELDMENT RH</li> <li>3. 806-032C U-BOLT 5/8-11 X 3 17/32 UNEVEN</li> <li>4. 804-022C WASHER LOCK SPRING 5/8 PLT</li> <li>5. 803-021C NUT HEX 5/8-11 PLT</li> <li>6. 802-183C RHSNB 1/2-13X1 GR5</li> <li>7. 802-083C HFSS 1/2-13X1 1/4 GR8</li> <li>8. 804-015C WASHER LOCK SPRING 1/2 PLT</li> <li>9. 803-020C NUT HEX 1/2-13 PLT</li> <li>10. 177-587D SAFETY CHAIN WASHER</li> <li>11. 807-023C SPRING HOSE LOOP</li> <li>12. 801-028C SCREW HEX 3/8-16X1 TYPE F</li> <li>13. 804-013C WASHER LOCK SPRING 3/8 PLT</li> <li>14. 804-012C WASHER FLAT 3/8 SAE PLT</li> <li>15. 177-009D CLEVIS HITCH TOP HALF</li> <li>16. 177-008D CLEVIS HITCH BOTTOM HALF</li> <li>17. 802-177C RHSNB 3/4-10X2 1/2 GR5</li> <li>18. 804-023C WASHER LOCK SPRING 3/4 PLT</li> <li>19. 803-027C NUT HEX 3/4-10 PLT</li> <li>20. 803-037C NUT HEX WHIZ 1/2-13 PLT</li> <li>21. 806-028C U-BOLT 1/2-13 X 3 17/32 X4 3/4</li> <li>22. 890-118C SCREW JACK 2000#</li> <li>23. 802-289C RHSNB 3/4-10X3 GR5</li> <li>24. 890-182C SAFETY CHAIN 10000 LB</li> </ol> <p>7/1/98 EWD13 13' End Wheel Drill 175-083P 2-2</p> <p><b>Right Page Number</b></p>

## General Information

### Revisions

Please refer to the date at the bottom of each page for the most current version of the equipment. Serial number breaks are at the top of the page at the end of the illustration heading, refer to the illustration above.

### Touch-up Paint and Manual Information

Repaint parts where paint is worn or scratched to prevent rust. Aerosol touch-up paint is available. To order use Great Plains part numbers below:

- GP Green . . . . .821-001C
- GP Black . . . . .821-002C
- GP Beige . . . . .821-003C
- GP Buckskin . . . . .821-004C
- LP Beige . . . . .821-011C
- LP Black . . . . .821-032C

Replacement manuals available. Use Great Plains part 500-089P.

### Replacement Hardware

All bolts and nuts are grade 5 unless otherwise noted. The use of improper grades of hardware can result in personal injury, damage to equipment, or loss of property. See **“Hardware Legend”** on page 1-2, for hardware abbreviations used within all parts lists.

## Hardware Legend

AR	As Required
BLADE	Blade Bolt
C	Cap Screw
CP	Cotter Pin
CPHSSS	Cup Point Hex Socket Set Screw
CPSHSS	Cup Point Square Head Set Screw
CPSQHSS	Cup Point Square Head Set Screw
CRFCHMS	Cross Recess Flat Countersunk Head Mach. Screw
CRPHMS	Cross Recess Pan Head Machine Screw
CRPHTFS	Cross Recess Pan Head Thread Forming
CRRHMS	Cross Recess Round Head Machine Screw
CRTHMS	Cross Recess Truss Head Machine Screw
CSNB	Countersunk Square Neck Bolt
FHMS	Flat Head Machine Screw
FTC	Full Thread Cap Screw
H	Hex Nut
HCLN	Hex Center Lock Nut
HFLCS	Hex Flange Lock Cap Screw
HFS	Hex Flange Screw
HFSLN	Hex Flange Serrated Lock Nut
HFSS	Hex Flange Serrated Screw
HHCS	Hex Head Cap Screw or Metric Bolt
HSBHCS	Hex Socket Button Head Cap Screw
HSFCHCS	Hex Socket Flat Countersunk Head Cap Screw
HSHCS	Hex Socket Head Cap Screw
HSSS	Hex Socket Head Screw
HTLN	Hex Top Lock Nut
HWHCS	Hex Washer Head Cap Screw

HWHMS	Hex Washer Head Machine Screw
HXBHCS	Hex Socket Button Head Cap Screw
J	Hex Jam Nut
JIC	37 Degree Tapered Thread
L	Helical Spring Lock Washer
LUG	Lug Bolt
NFC	National Fine Cap Screw
NPSM	National Pipe Straight Mechanical
NPTF	National Pipe Taper Fuel
P	Wide Plain Washer
PHMS	Pan Head Machine Screw
PLOW	Plow Bolt
RHMS	Round Head Machine Screw
RHSNB	Round Head Square Neck Bolt
SCREW LEVELING	Leveling Screw
SCREW THUMB	Thumb Screw
SCREW WELD	Weld Screw
SFCHMS	Slotted Flat Countersunk Head Machine Screw
SFHMS	Slotted Fillister Head Machine Screw
SP	Special
SP SCREW	Special Screw
SQHSS	Square Head Set Screw
SRHMS	Slotted Round Head Machine Screw
SSS	Socket Set Screw
STCS	Self Tapping Cap Screw
STHMS	Slotted Truss Head Machine Screw
WHEEL	Wheel Studs and Hub Long Bolts
WING	Wing Bolt

## Part Number Service Coding

Within the following parts lists some part numbers are coded for revisions and interchangeability.

### Legend:

Newest serial numbers are listed first.

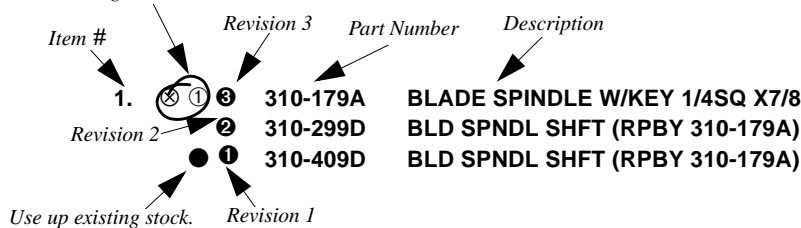
**Bold face type indicates parts that are serviced. These parts are considered interchangeable, if it supersedes another part, unless otherwise noted.**

### Example:

- (S/N 20001+) Includes serial numbers 20001 and above (to the newest numbers)
- (S/N 10001↔20000) Includes serial numbers between and including 10001 and 20000
- (S/N 10000-) Includes serial numbers 10000 and below (to the oldest number)

- ① First revision, e.g.; ② is 2nd revision, ③ is 3rd revision, etc.  
(Greater numbers are the newest.)
- The existing stock for this part should be used up before ordering the new part.
- ⊗ Not interchangeable
- ⊗①② Revision 2 is not interchangeable w/1

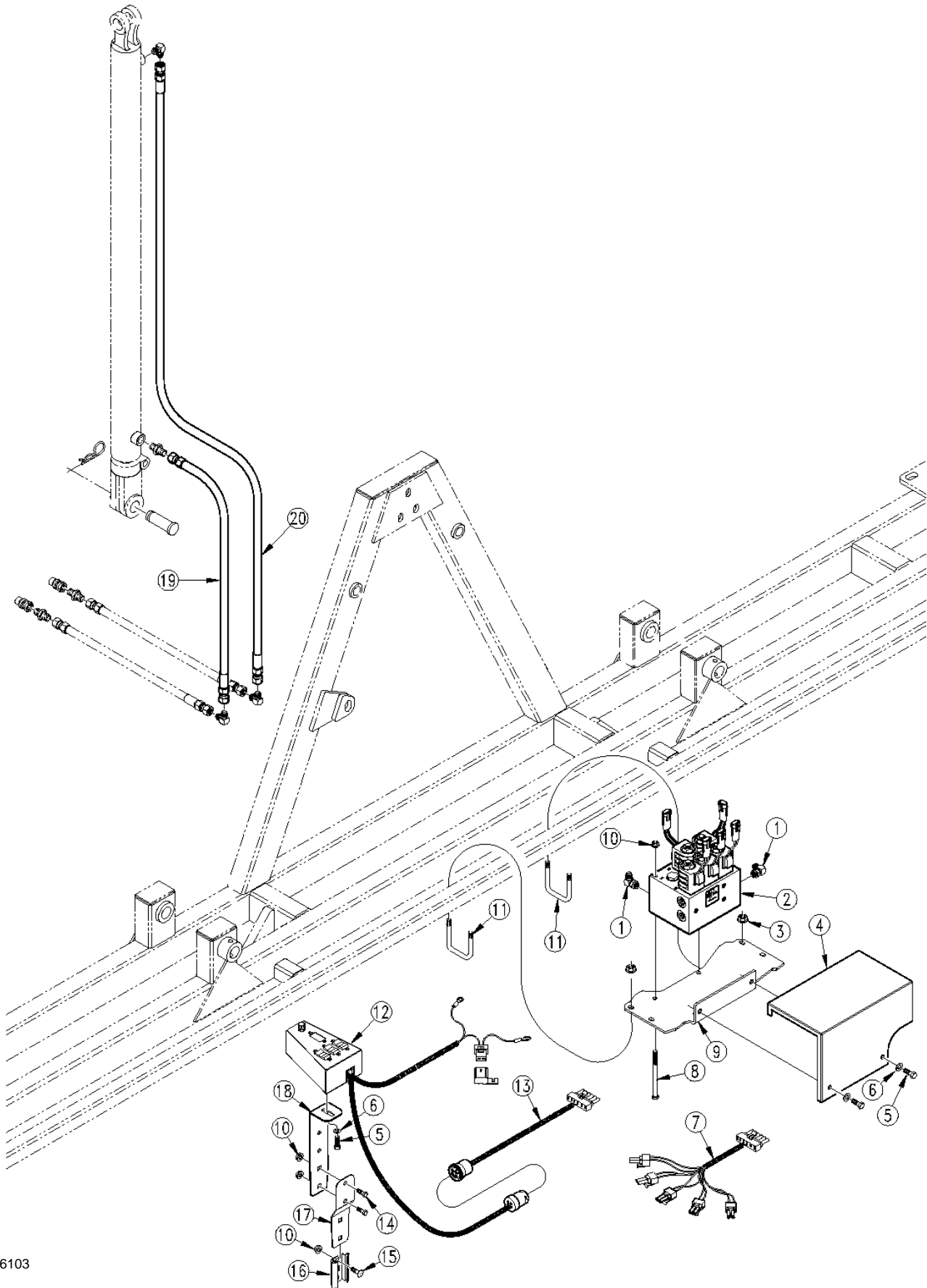
Not interchangeable with revision 1



**Part Number Index**

<b>Part Number</b>	<b>Page</b>	<b>Part Number</b>	<b>Page</b>	<b>Part Number</b>	<b>Page</b>	<b>Part Number</b>	<b>Page</b>
30102628	2-16	803-068C	2-10	833-075C	2-12		
30102628	2-18	803-068C	2-2	833-075C	2-6		
30102650	2-20	803-068C	2-8	833-098C	2-12		
33702007	2-18	803-199C	2-10	833-098C	2-6		
33702025	2-18	803-199C	2-2	833-099C	2-12		
34952078	2-16	803-199C	2-8	833-099C	2-6		
36980008	2-18	803-068C	2-4	833-041C	2-4		
39680008	2-16	803-199C	2-4	833-044C	2-4		
39680008	2-20	804-036C	2-10	890-401C	2-10		
61010000	2-20	804-036C	2-14	890-401C	2-2		
61010001	2-16	804-036C	2-2	890-511C	2-22		
61010001	2-18	804-036C	2-8	890-401C	2-4		
61010007	2-16	804-036C	2-4				
61010007	2-18	806-001C	2-10				
61100010	2-20	806-001C	2-2				
85002006	2-16	806-001C	2-8				
85002252	2-20	806-001C	2-4				
85002331	2-16	806-004C	2-4				
85002331	2-18	806-107C	2-4				
85002335	2-16	810-228C	2-22				
85002335	2-18	810-235C	2-22				
87410024	2-20	810-239C	2-2				
500-090B	2-22	810-239C	2-8				
506-115H	2-2	810-239C	2-8				
506-115H	2-8	810-257C	2-14				
506-152H	2-10	810-266C	2-10				
506-152H	2-2	810-303C	2-22				
506-152H	2-8	810-239C	2-4				
506-205D	2-10	811-065C	2-10				
506-205D	2-2	811-065C	2-2				
506-205D	2-8	811-065C	2-8				
506-152H	2-4	811-081C	2-14				
506-205D	2-4	811-178C	2-2				
506-357D	2-4	811-194C	2-14				
506-368D	2-4	811-230C	2-2				
510-009H	2-12	811-396C	2-14				
510-009H	2-6	811-065C	2-4				
510-013D	2-12	811-178C	2-4				
510-013D	2-6	811-230C	2-4				
510-014D	2-12	816-205C	2-14				
510-014D	2-6	818-326C	2-24				
510-016D	2-10	818-571C	2-24				
510-016D	2-2	818-572C	2-24				
510-017D	2-10	818-575C	2-24				
510-017D	2-2	818-619C	2-24				
510-018K	2-2	823-068C	2-12				
510-019K	2-10	823-068C	2-6				
510-016D	2-4	823-069C	2-12				
510-017D	2-4	823-069C	2-6				
510-018K	2-4	833-014C	2-12				
801-098C	2-12	833-014C	2-6				
801-098C	2-6	833-014C	2-8				
801-128C	2-12	833-040C	2-12				
801-128C	2-6	833-040C	2-6				
802-007C	2-10	833-040C	2-8				
802-007C	2-2	833-041C	2-10				
802-092C	2-10	833-041C	2-2				
802-092C	2-2	833-041C	2-8				
802-369C	2-10	833-044C	2-10				
802-369C	2-2	833-044C	2-2				
802-369C	2-8	833-044C	2-8				
802-474C	2-10	833-045C	2-14				
802-474C	2-14	833-050C	2-12				
802-474C	2-2	833-050C	2-6				
802-474C	2-8	833-050C	2-8				
802-007C	2-4	833-053C	2-14				
802-092C	2-4	833-061C	2-12				
802-369C	2-4	833-061C	2-6				
802-474C	2-4	833-062C	2-12				
		833-062C	2-6				
		833-074C	2-8				

**Trailer Sprayer & 3-Point Boom Controls w/Hydraulic Elevator (S/N 3431+)**



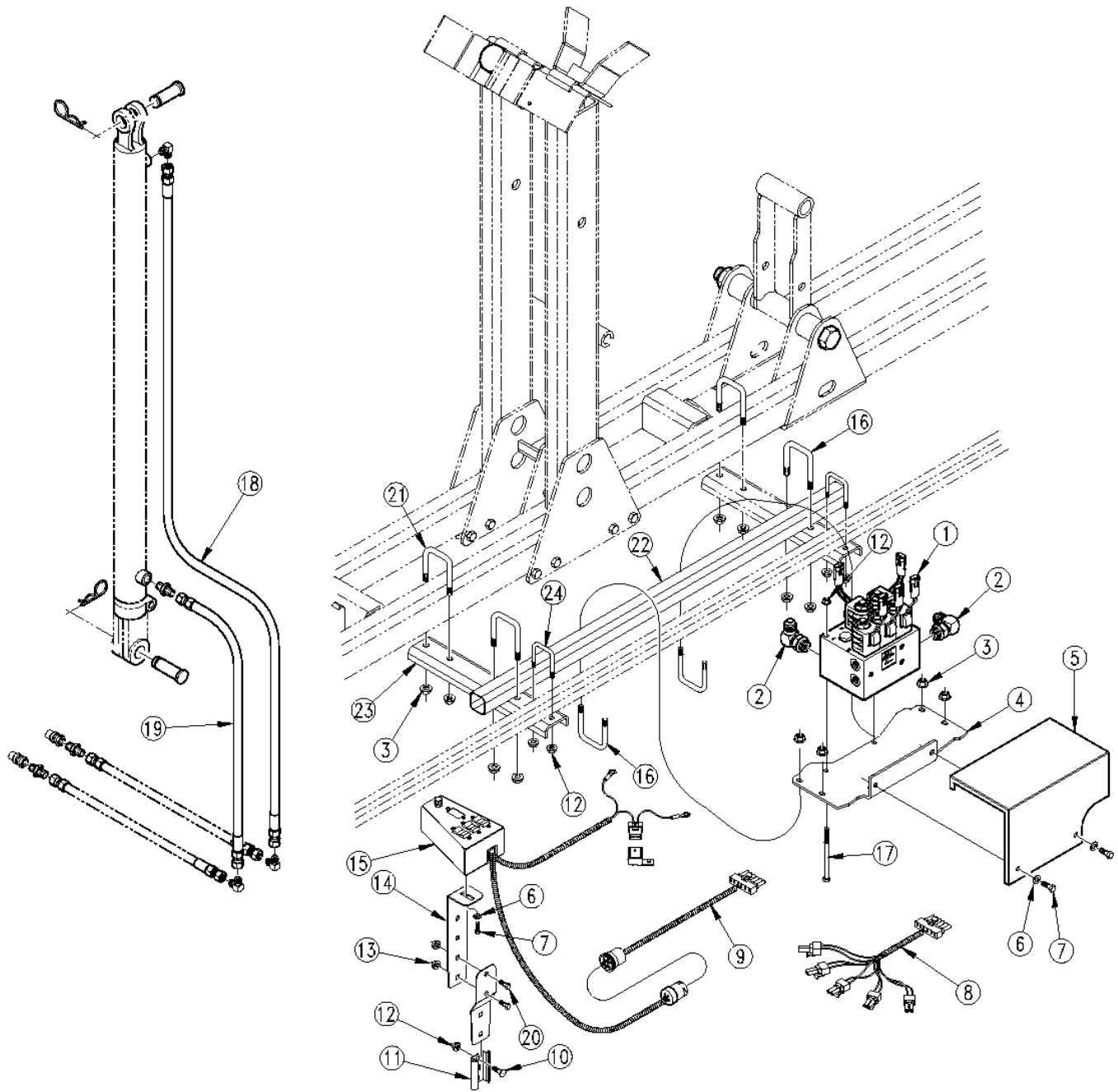
16103

**Trailer Sprayer & 3-Point Boom Controls w/Hydraulic Elevator (S/N 3431+)**

Ref.	Part No.	Part Description	Comments
1.	811-065C	EL 9/16MJIC 9/16MORB	
2.	810-239C	VALVE-BOOM & ELEVATOR HT	Refer to page 2-15 for breakdown.
3.	803-068C	NUT HEX FLANGE 3/8-16 PLT	
4.	506-205D	HYD. SOLENOID SHIELD	
5.	802-369C	HHCS 5/16-18X1/2 SS	
6.	804-036C	WASHER FLAT 5/16 SAE PLT	
7.	833-044C	ELEC/HYD SOLENOID HARNESS	
8.	802-474C	HHCS 5/16-18X4 1/2 GR5	
9.	⊗ 506-152H	<b>HYD SOLENOID MOUNT WELDMENT</b>	
	● ① 506-115H	<b>SOLENOID MNT(REPL BY 506-152H)</b>	
10.	803-199C	NUT HEX FLANGE 5/16-18 PLT	
11.	806-001C	U-BOLT 3/8-16 X 2 X 4	
12.	510-018K	ELEC/HYD CONTROL BASE ASSY	Refer to page 2-5 for breakdown.
13.	833-041C	BOOM FOLD WIRING HARNESS REAR	
14.	802-007C	HHCS 5/16-18X3/4 GR5	
15.	802-092C	RHSNB 5/16-18X3/4 GR5	
16.	890-401C	SMV MOUNTING SOCKET	
17.	510-017D	CONTROL BASE SMV MOUNT	
18.	510-016D	CONTROL BASE ANGLE MOUNT	
19.	811-230C	HH1/4R1 095 9/16FJIC	
20.	811-178C	HH1/4R1 114 9/16FJIC	

**Legend:** ● = 1st revision; ⊗ = 2nd revision; ⊗ = 3rd revision; ● = use up existing stock; ⊗ = not interchangeable; ⊗ ① ⊗ = for example: revision 2 is not interchangeable w/revision 1

Trailer Sprayer & 3-Point Boom Controls w/Hydraulic Elevator CF600



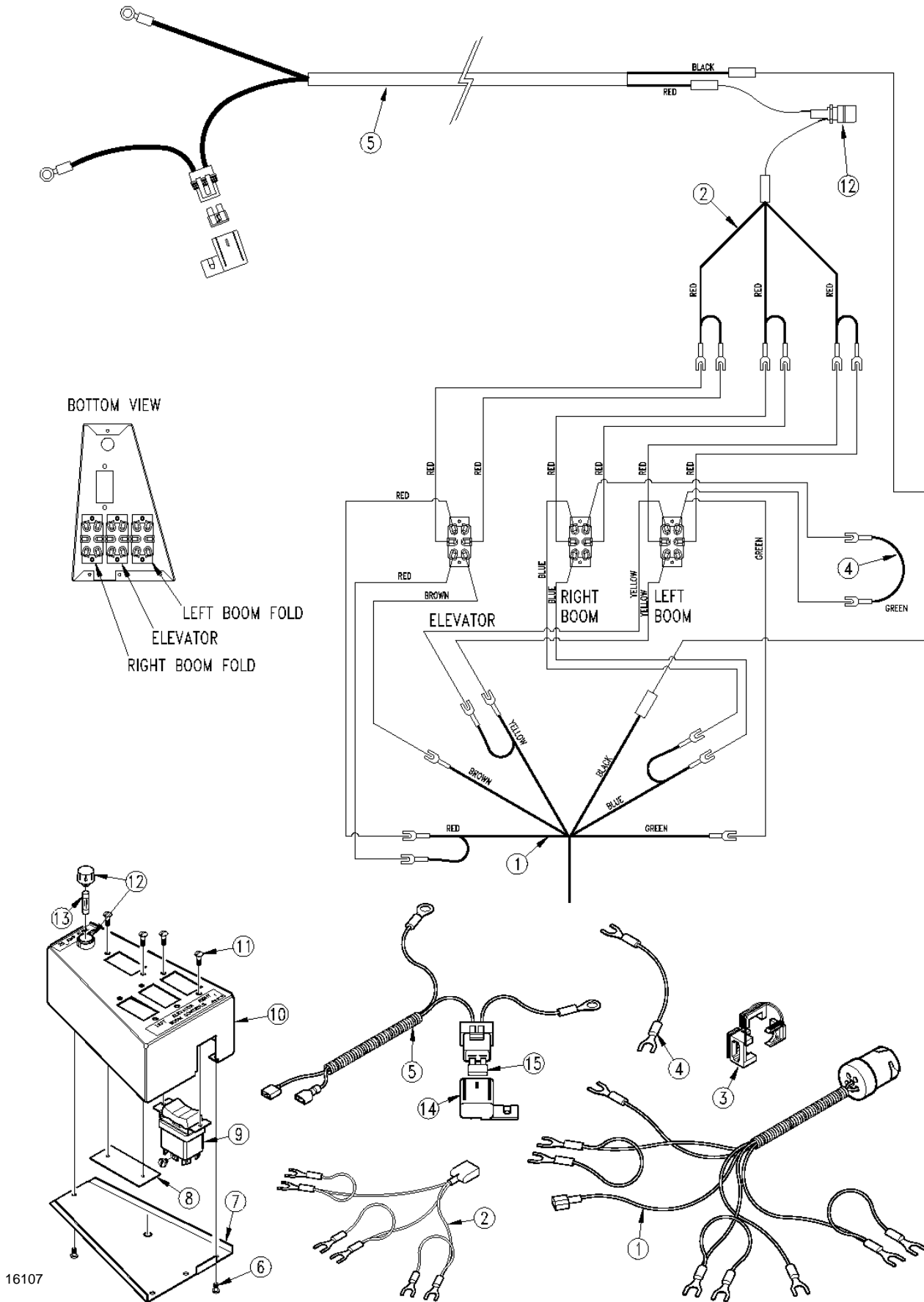
17022

**Trailer Sprayer & 3-Point Boom Controls w/Hydraulic Elevator CF600**

Ref.	Part No.	Part Description	Comments
1.	810-239C	VALVE-BOOM & ELEVATOR HT	Refer to page 2-15 for breakdown.
2.	811-065C	EL 9/16MJIC 9/16MORB	
3.	803-068C	NUT HEX FLANGE 3/8-16 PLT	
4.	506-152H	HYD SOLENOID MOUNT WELDMENT	
5.	506-205D	HYD. SOLENOID SHIELD	
6.	804-036C	WASHER FLAT 5/16 SAE PLT	
7.	802-369C	HHCS 5/16-18X1/2 SS	
8.	833-044C	ELEC/HYD SOLENOID HARNESS	
9.	833-041C	BOOM FOLD WIRING HARNESS REAR	
10.	802-092C	RHSNB 5/16-18X3/4 GR5	
11.	890-401C	SMV MOUNTING SOCKET	
12.	803-199C	NUT HEX FLANGE 5/16-18 PLT	
13.	510-017D	CONTROL BASE SMV MOUNT	
14.	510-016D	CONTROL BASE ANGLE MOUNT	
15.	510-018K	ELEC/HYD CONTROL BASE ASSY	Refer to page 2-5 for breakdown.
16.	806-004C	U-BOLT 3/8-16 X 2 X 2 3/4	
17.	802-474C	HHCS 5/16-18X4 1/2 GR5	
18.	811-178C	HH1/4R1 114 9/16FJIC	
19.	811-230C	HH1/4R1 095 9/16FJIC	
20.	802-007C	HHCS 5/16-18X3/4 GR5	
21.	806-001C	U-BOLT 3/8-16 X 2 X 4	
22.	506-368D	TUBE ELEC/HYD MTG FOR CF600	
23.	506-357D	C-SECTION NOZZLE TUBE BRACKET	
24.	806-107C	U-BOLT 5/16-18 X 1 17/32X2 1/8	

**Legend:** ● = 1st revision; ● = 2nd revision; ● = 3rd revision; ● = use up existing stock; ⊗ = not interchangeable; ⊗ ① ● = for example: revision 2 is not interchangeable w/revision 1

Electric/Hydraulic Control Base Assembly (S/N 3431+)



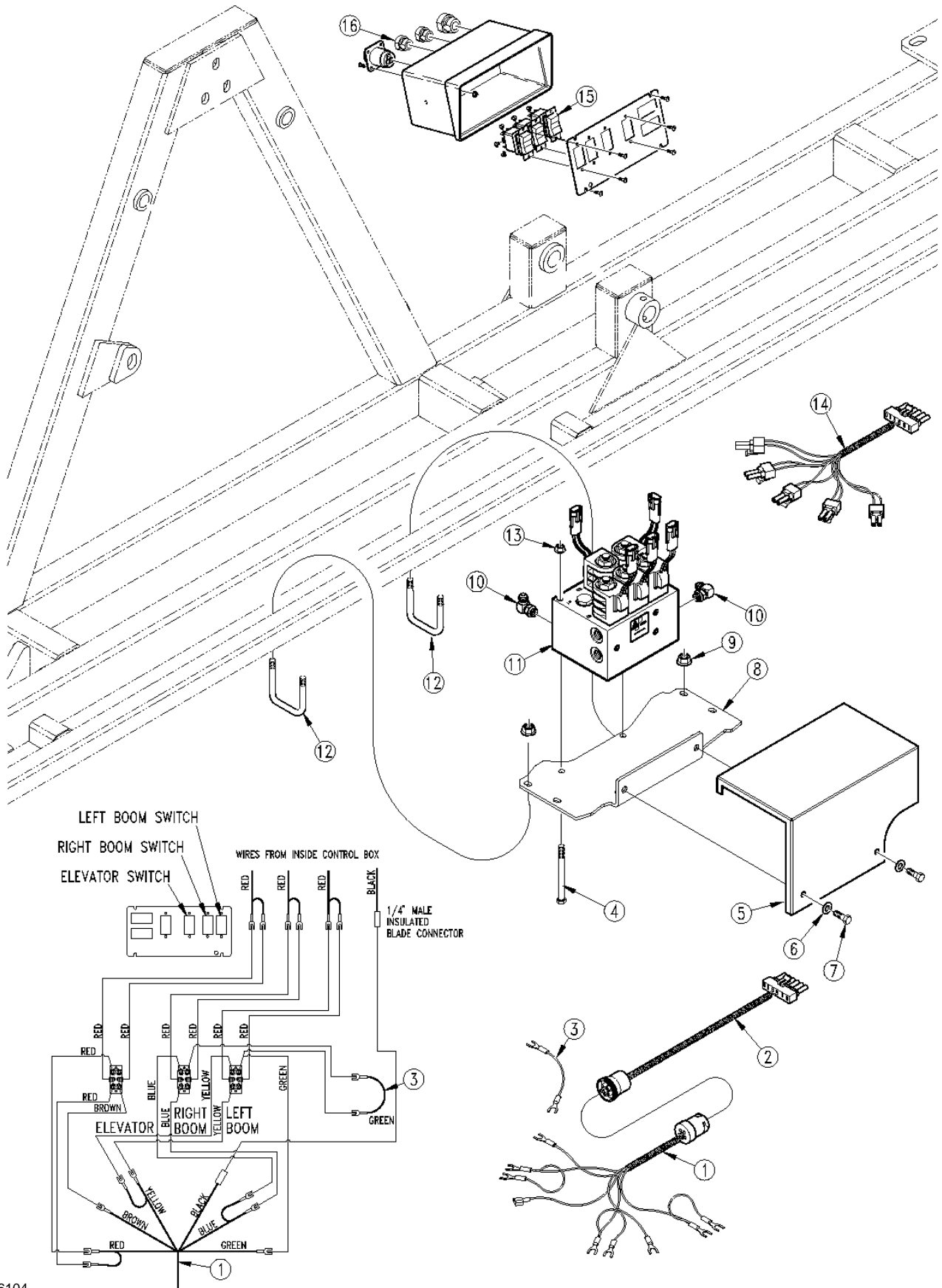
16107

**Electric/Hydraulic Control Base Assembly (S/N 3431+)**

Ref.	Part No.	Part Description	Comments
1.	833-040C	BOOM FOLD WIRING HARNESS FRONT	
2.	833-062C	ELEC/HYD FUSE JUMPER WIRE	
3.	833-075C	STRAIN RELIEF ADJUSTABLE MOUNT	
4.	833-050C	JUMPER WIRE-BOOM FOLD REVERSE	
5.	833-061C	ELEC/HYD BATTERY WIRING HRNESS	
6.	801-128C	CRPHMS 6-32X1/4 SS SELF-TAPPER	
7.	510-009H	CONTROL BASE COVER WELDMENT	
8.	510-013D	BLANK - SWITCH COVER	
9.	833-014C	DPDT SWITCH EATON 8555K2T33V	
10.	510-014D	CONTROL BASE HOUSING	
11.	801-098C	CRPHMS 6-32X1/4 SS	
12.	823-068C	FUSEHOLDER LITTLEFUSE #342838A	
13.	823-069C	FUSE-20 AMP LITTLEFUSE #313020	
14.	833-098C	PACKARD METRI-PACK FUSE CAP	
15.	833-099C	FUSE - AUTOMOTIVE BLADE 20 AMP	

**Legend:** ● = 1st revision; ● = 2nd revision; ● = 3rd revision; ● = use up existing stock; ⊗ = not interchangeable; ⊗ ① ● = for example: revision 2 is not interchangeable w/revision 1

**Trailer Sprayer Boom Controls 3-Spool Valve (S/N 3430-)**

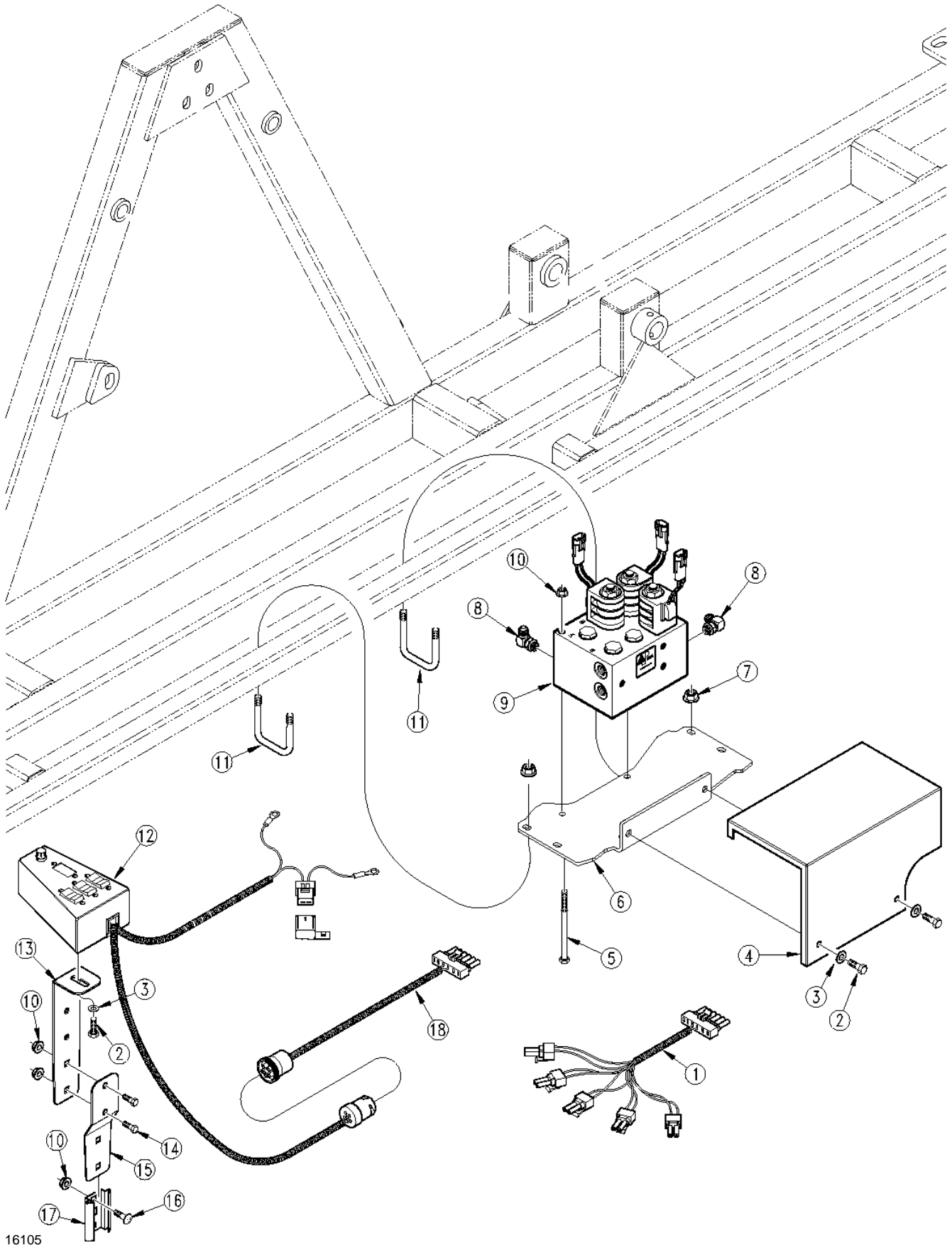


**Trailer Sprayer Boom Controls 3-Spool Valve (S/N 3430-)**

Ref.	Part No.	Part Description	Comments
1.	833-040C	BOOM FOLD WIRING HARNESS FRONT	
2.	833-041C	BOOM FOLD WIRING HARNESS REAR	
3.	833-050C	JUMPER WIRE-BOOM FOLD REVERSE	
4.	802-474C	HHCS 5/16-18X4 1/2 GR5	
5.	506-205D	HYD. SOLENOID SHIELD	
6.	804-036C	WASHER FLAT 5/16 SAE PLT	
7.	802-369C	HHCS 5/16-18X1/2 SS	
8.	⊗ 506-152H	<b>HYD SOLENOID MOUNT WELDMNT</b>	
	● ① 506-115H	<b>SOLENOID MNT(REPL BY 506-152H)</b>	
9.	803-068C	NUT HEX FLANGE 3/8-16 PLT	
10.	811-065C	EL 9/16MJIC 9/16MORB	
11.	810-239C	VALVE-BOOM & ELEVATOR HT	Refer to page 2-15 for breakdown.
12.	806-001C	U-BOLT 3/8-16 X 2 X 4	
13.	803-199C	NUT HEX FLANGE 5/16-18 PLT	
14.	833-044C	ELEC/HYD SOLENOID HARNESS	
15.	833-014C	DPDT SWITCH EATON 8555K2T33V	
16.	833-074C	STRAIN RELIEF BUSH 3/4ID MOUNT	

**Legend:** ● = 1st revision; ⊗ = 2nd revision; ⊕ = 3rd revision; ● = use up existing stock; ⊗ = not interchangeable; ⊗ ① ⊗ = for example: revision 2 is not interchangeable w/revision 1

3-Point Boom Controls 2-Spool Valve



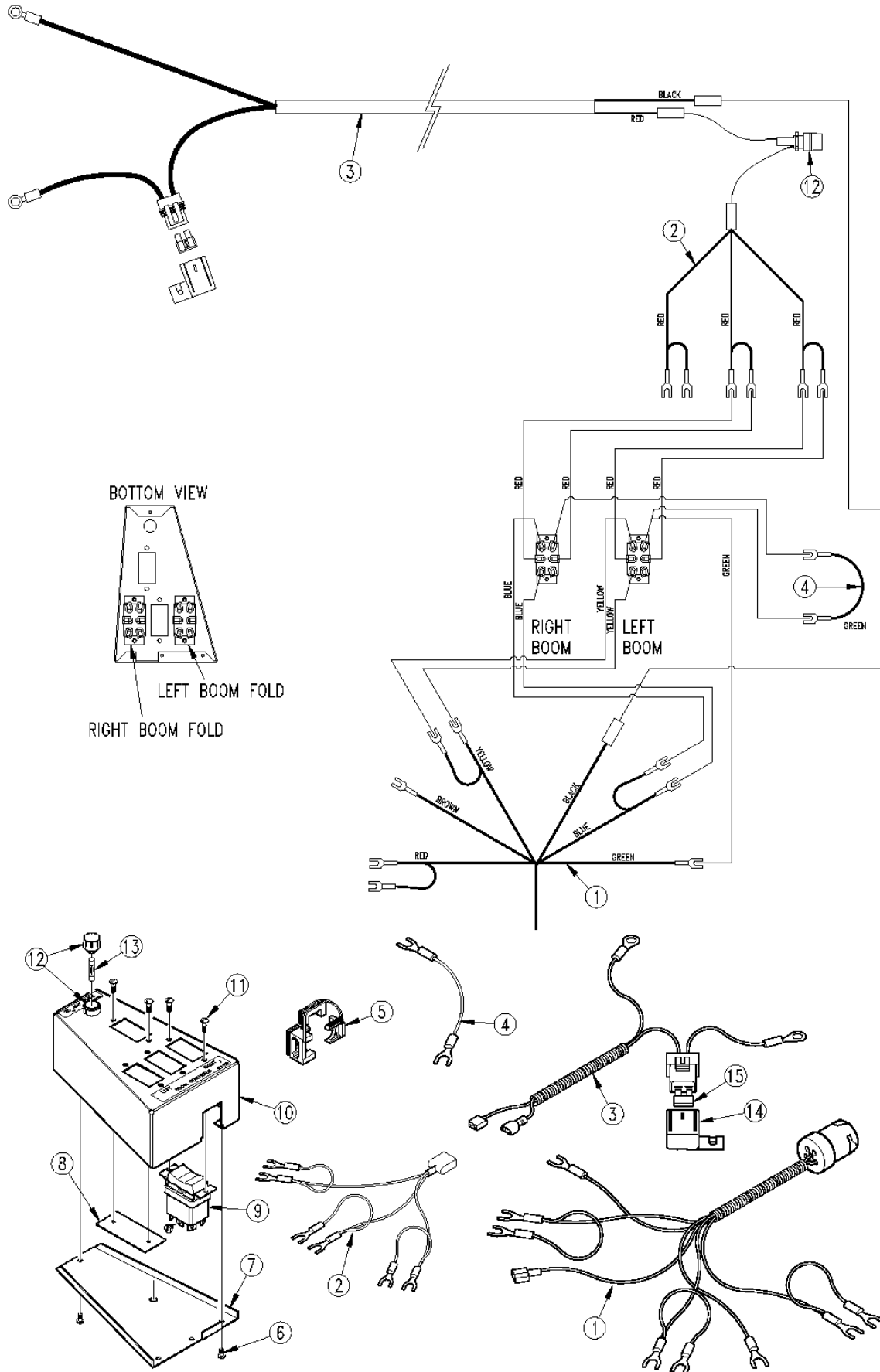
16105

**3-Point Boom Controls 2-Spool Valve**

Ref.	Part No.	Part Description	Comments
1.	833-044C	ELEC/HYD SOLENOID HARNESS	
2.	802-369C	HHCS 5/16-18X1/2 SS	
3.	804-036C	WASHER FLAT 5/16 SAE PLT	
4.	506-205D	HYD. SOLENOID SHIELD	
5.	802-474C	HHCS 5/16-18X4 1/2 GR5	
6.	506-152H	HYD SOLENOID MOUNT WELDMENT	
7.	803-068C	NUT HEX FLANGE 3/8-16 PLT	
8.	811-065C	EL 9/16MJIC 9/16MORB	
9.	810-266C	VALVE BOOM FOLD 3-PT SPRAYER	Refer to page 2-17 for breakdown.
10.	803-199C	NUT HEX FLANGE 5/16-18 PLT	
11.	806-001C	U-BOLT 3/8-16 X 2 X 4	
12.	510-019K	ELEC/HYD CONTROL BASE 3P ASSY	Refer to page 2-5 for breakdown.
13.	510-016D	CONTROL BASE ANGLE MOUNT	
14.	802-007C	HHCS 5/16-18X3/4 GR5	
15.	510-017D	CONTROL BASE SMV MOUNT	
16.	802-092C	RHSNB 5/16-18X3/4 GR5	
17.	890-401C	SMV MOUNTING SOCKET	
18.	833-041C	BOOM FOLD WIRING HARNESS REAR	

**Legend:** ● = 1st revision; ● = 2nd revision; ● = 3rd revision; ● = use up existing stock; ⊗ = not interchangeable; ⊗ ① ● = for example: revision 2 is not interchangeable w/revision 1

3-Point Electric/Hydraulic Control Base Assembly



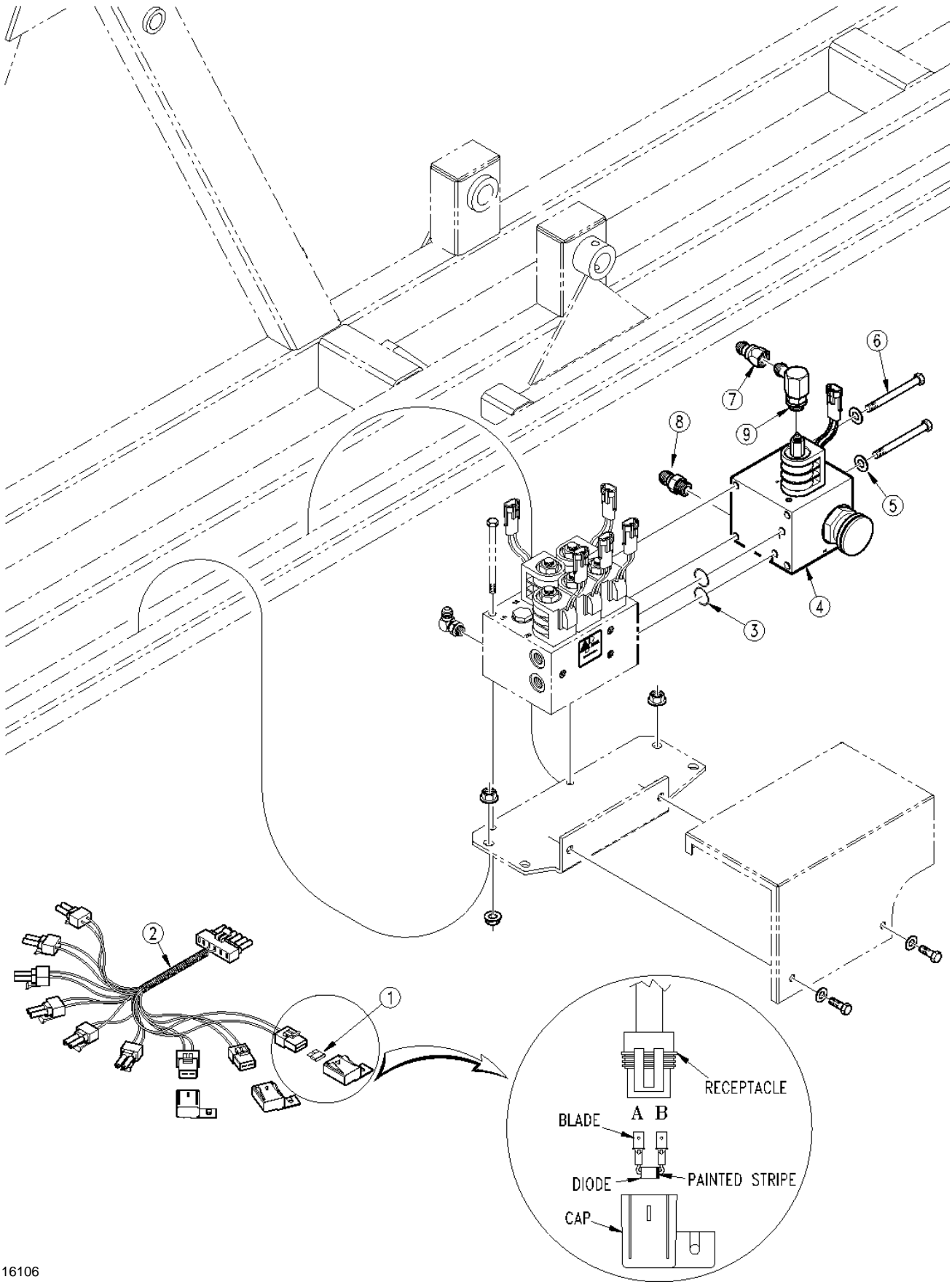
16108

**3-Point Electric/Hydraulic Control Base Assembly**

Ref.	Part No.	Part Description	Comments
1.	833-040C	BOOM FOLD WIRING HARNESS FRONT	
2.	833-062C	ELEC/HYD FUSE JUMPER WIRE	
3.	833-061C	ELEC/HYD BATTERY WIRING HRNESS	
4.	833-050C	JUMPER WIRE-BOOM FOLD REVERSE	
5.	833-075C	STRAIN RELIEF ADJUSTABLE MOUNT	
6.	801-128C	CRPHMS 6-32X1/4 SS SELF-TAPPER	
7.	510-009H	CONTROL BASE COVER WELDMENT	
8.	510-013D	BLANK - SWITCH COVER	
9.	833-014C	DPDT SWITCH EATON 8555K2T33V	
10.	510-014D	CONTROL BASE HOUSING	
11.	801-098C	CRPHMS 6-32X1/4 SS	
12.	823-068C	FUSEHOLDER LITTLEFUSE #342838A	
13.	823-069C	FUSE-20 AMP LITTLEFUSE #313020	
14.	833-098C	PACKARD METRI-PACK FUSE CAP	
15.	833-099C	FUSE - AUTOMOTIVE BLADE 20 AMP	

**Legend:** ● = 1st revision; ● = 2nd revision; ● = 3rd revision; ● = use up existing stock; ⊗ = not interchangeable; ⊗ ① ● = for example: revision 2 is not interchangeable w/revision 1

**Boom Controls Open Center Conversion**



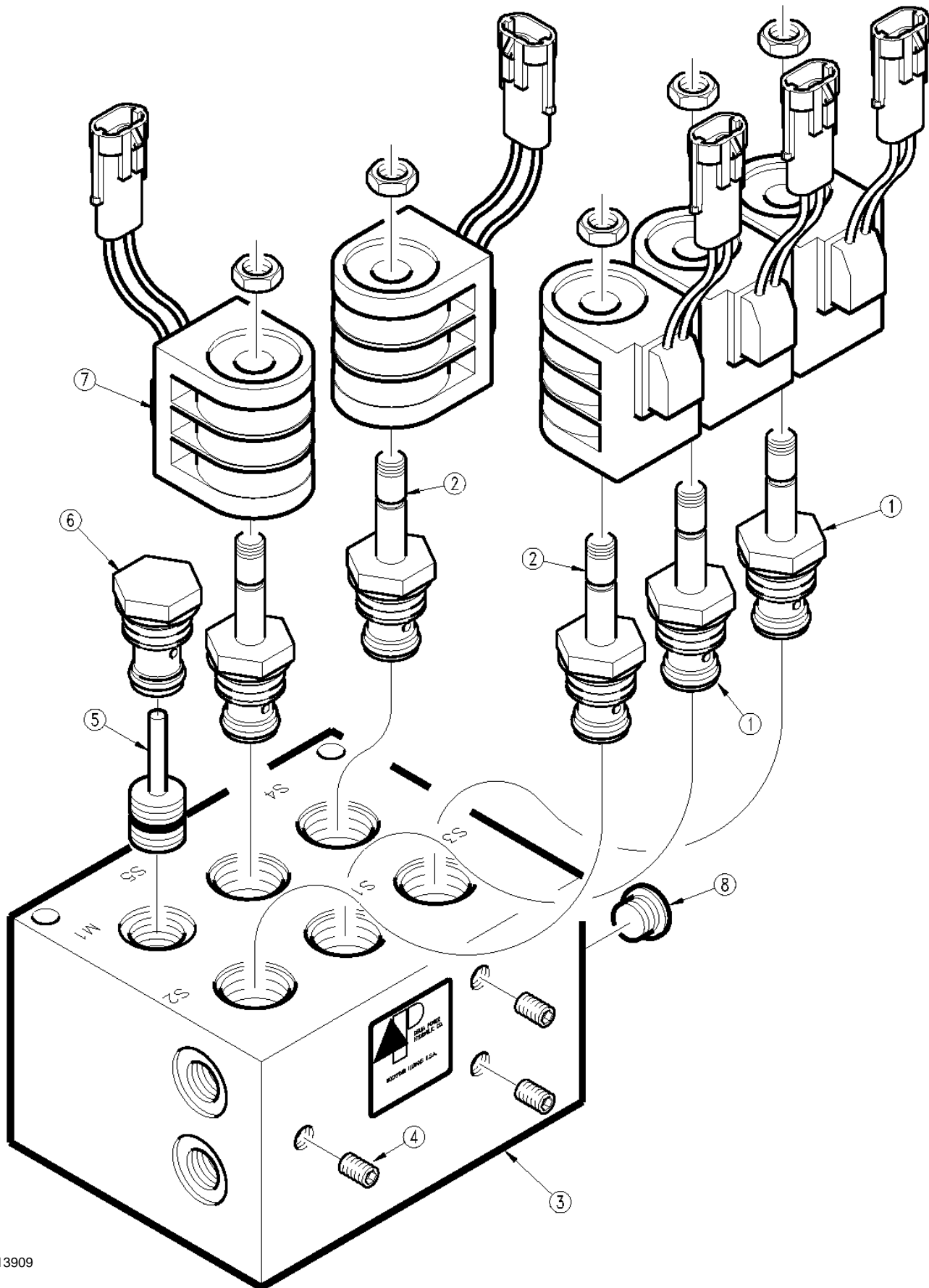
16106

**Boom Controls Open Center Conversion**

Ref.	Part No.	Part Description	Comments
1.	833-053C	DIODE - .187 MALE BLADE	
2.	833-045C	ELEC/HYD SOLENOID HARNESS O.C.	
3.	816-205C	O-RING 13/16ID X 15/16OD 2-019	
4.	810-257C	VALVE BLOCK - OPEN CENT ADD ON	Refer to page 2-19 for breakdown.
5.	804-036C	WASHER FLAT 5/16 SAE PLT	
6.	802-474C	HHCS 5/16-18X4 1/2 GR5	
7.	811-194C	AD 9/16MJIC 3/4FJIC	
8.	811-396C	AD 7/8MORB 9/16MJIC	
9.	811-081C	EL 7/8MORB 3/4MJIC	

**Legend:** ① = 1st revision; ② = 2nd revision; ③ = 3rd revision; ● = use up existing stock; ⊗ = not interchangeable; ⊗ ① ② = for example: revision 2 is not interchangeable w/revision 1

Hydraulic Solenoid Assembly (810-239C)



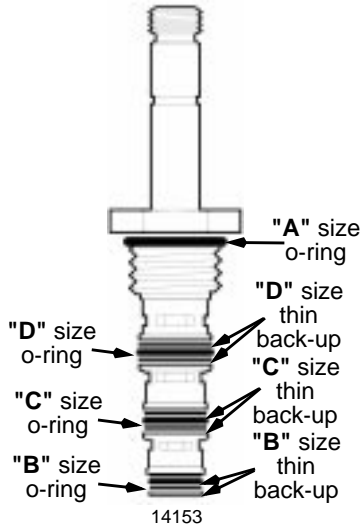
13909

**Hydraulic Solenoid Assembly (810-239C)**

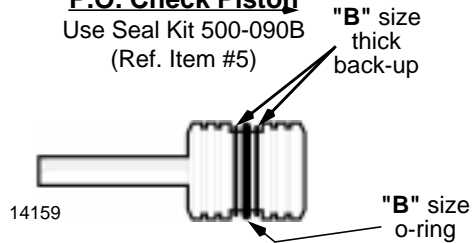
Ref.	Part No.	Part Description	Comments
1.	85002331	DELTA 4W2P	Including nut
2.	85002335	DELTA 4W2P CL CEN VALVE	Including nut
3.	30102628	DELTA MANIFOLD	
4.	61010001	DELTA 1/8 NPTF PLUG	
5.	34952078	DELTA PISTON ASSY	
6.	85002006	DELTA CHECK VALVE	
7.	39680008	DELTA COIL 12VDC W CONN	
8.	61010007	DELTA #6 SAE PLUG	

**Seal Kits For Control Valves**  
 Refer to page 2-10 For Full Scale O-Ring/Backup Ring Identification Chart

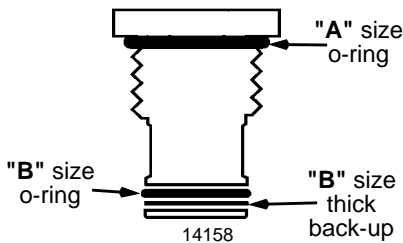
**4W2P Valve**  
 Use Seal Kit 500-090B  
 (Ref. Item #1 & 2)



**P.O. Check Piston**  
 Use Seal Kit 500-090B  
 (Ref. Item #5)

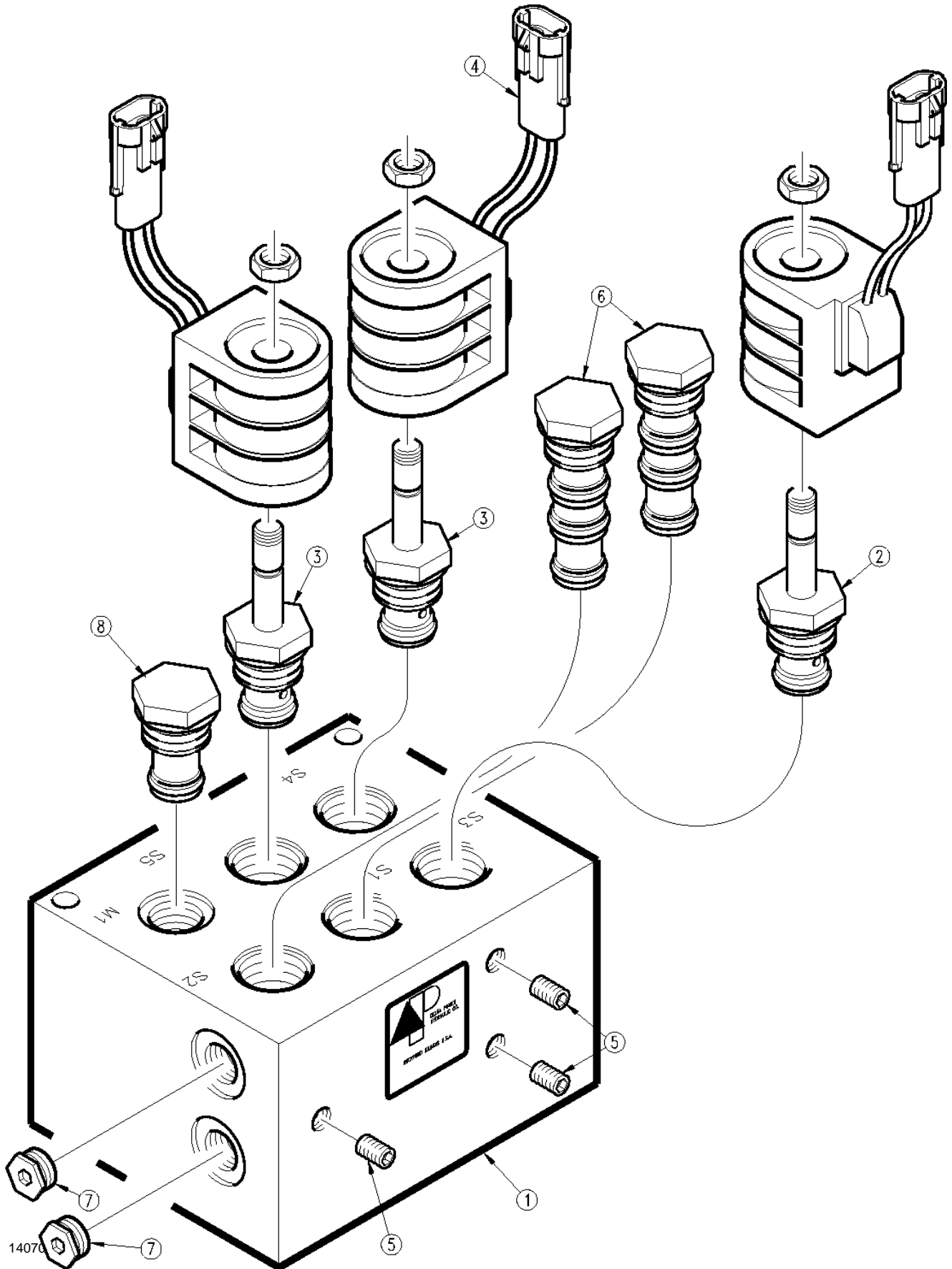


**Check Valve**  
 Use Seal Kit 500-090B  
 (Ref. Item #6)



**Legend:** ● = 1st revision; ● = 2nd revision; ● = 3rd revision; ● = use up existing stock; ⊗ = not interchangeable; ⊗ ⊕ ● = for example: revision 2 is not interchangeable w/revision 1

Hydraulic Solenoid Assembly (810-266C)

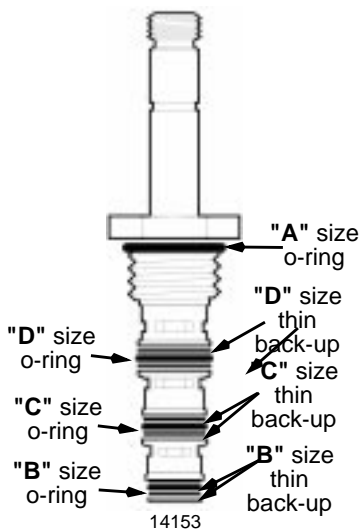


**Hydraulic Solenoid Assembly (810-266C)**

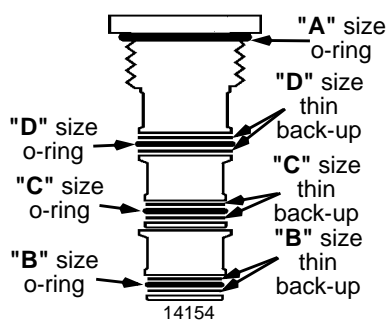
Ref.	Part No.	Part Description	Comments
1.	30102628	MANIFOLD	
2.	85002331	4W2P	
3.	85002335	4W2P C.C.	
4.	36980008	12V DC W/PACK CONN.	
5.	61010001	1/8-27 NPTF PLUG	
6.	33702025	CAVITY PLUG	
7.	61010007	#6 SAE PLUG	
8.	33702007	CAVITY PLUG	

**Seal Kits For Control Valves**  
 Refer to page 2-10 For Full Scale O-Ring/Backup Ring Identification Chart

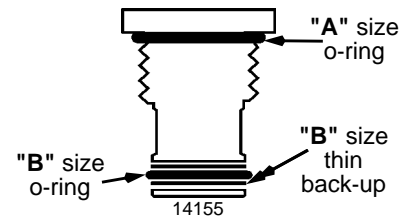
**4W2P Valve**  
 Use Seal Kit 500-090B  
 (Ref. Item #2 & 3)



**4W2P Cavity Plug**  
 Use Seal Kit 500-090B  
 (Ref. Item #6)

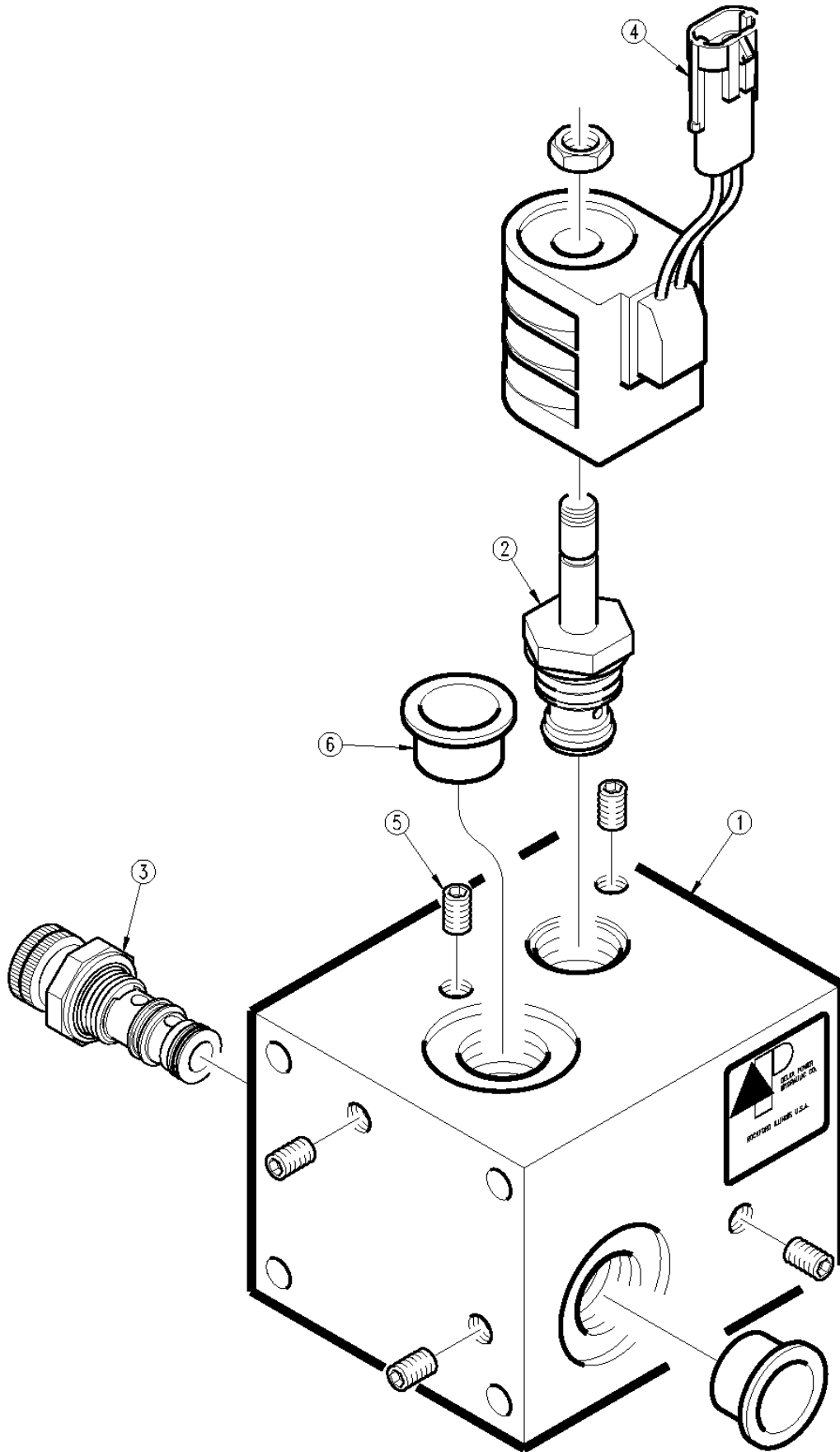


**2W Cavity Plug**  
 Use Seal Kit 500-090B  
 (Ref. Item #8)



**Legend:** ● = 1st revision; ● = 2nd revision; ● = 3rd revision; ● = use up existing stock; ⊗ = not interchangeable; ⊗ ⊕ ● = for example: revision 2 is not interchangeable w/revision 1

*Bypass Valve Assembly (810-257C)*



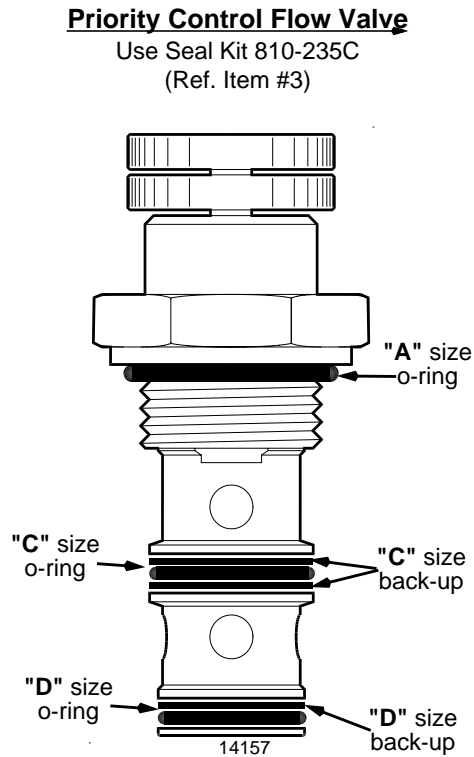
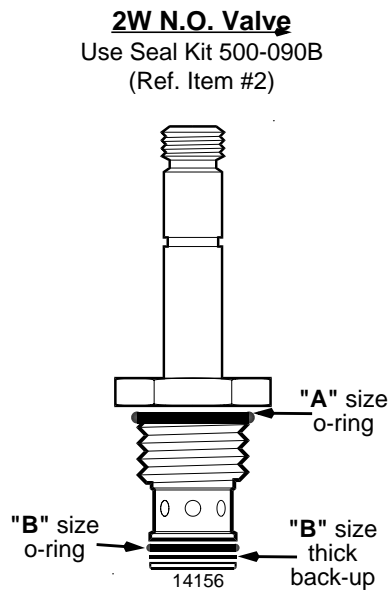
14072

*Bypass Valve Assembly (810-257C)*

Ref.	Part No.	Part Description	Comments
1.	30102650	MANIFOLD	
2.	85002252	N.O. VALVE	
3.	87410024	FLOW CONTROL	
4.	39680008	12 VDC W/PACK CONN	
5.	61010000	1/4 NPT PLUG	
6.	61100010	#10 PLASTIC PLUG	

## Seal Kits For Control Valves

Refer to page 2-10 For Full Scale O-Ring/Backup Ring Identification Chart



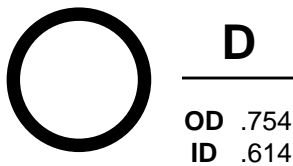
**Legend:** ● = 1st revision; ● = 2nd revision; ● = 3rd revision; ● = use up existing stock; ⊗ = not interchangeable; ⊗ ⊕ ● = for example: revision 2 is not interchangeable w/revision 1

**Seal Kits for Control Valves**

# O-Ring Identification Chart

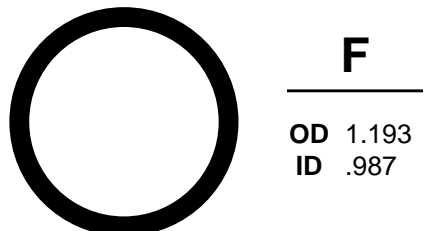
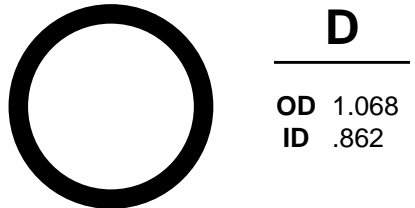
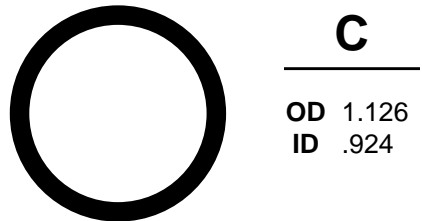
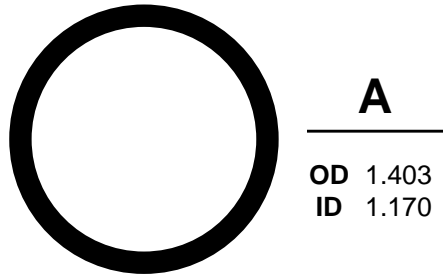
*(Match o-rings and back-up rings to full size illustrations below for identification.)*

## 810-303C For 7/8"-14 Series Valves



Scale: 1=1

## 810-235C For 1 5/16"-12 Series Valves

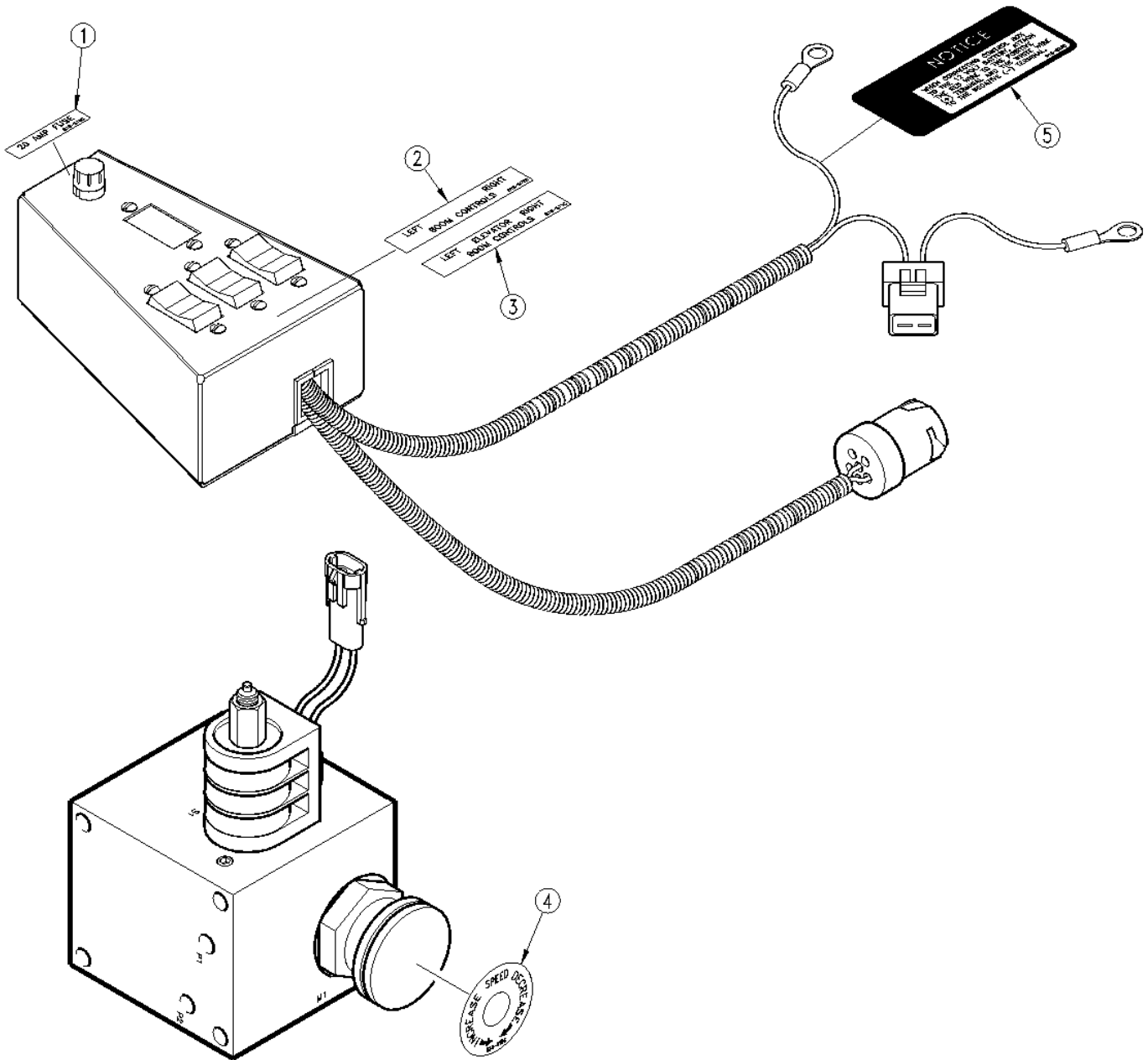


**Seal Kits for Control Valves**

Ref.	Part No.	Part Description	Comments
1.	⊗ 500-090B ● ① 810-228C	SEAL KIT 7/8-14 DELTA W/ LTITE OBS & REPLACED BY 500-090B	Includes items 2 & 4.
2.	810-303C	SEAL KIT 7/8-14 DELTA 21170040 Includes: 2 Each Of The Thin Back-Up Rings, Sizes B, C, And D 1 Each of The Thick Back-Up Rings, Sizes C and D. 2 Thick "B" Size Back-Up Rings 1 Each Of O-Rings Sizes A, B, C, And D	
3.	810-235C	SEAL KIT 1 5/16 DELTA 21180036 Includes: 1 Each of Sizes A, B, C, D, E, And F 2 Each of Back-Up Rings Sizes B, C, D, E, And F	
4.	890-511C	LOCTITE HYD SEALANT 545 0.5 ML	

**Legend:** ● = 1st revision; ⊗ = 2nd revision; ⊕ = 3rd revision; ● = use up existing stock; ⊗ = not interchangeable; ⊗ ① ⊗ = for example: revision 2 is not interchangeable w/revision 1

**Decal Placement**



14071

**Decal Placement**

Ref.	Part No.	Part Description	Comments
1.	818-575C	DECAL CONT BASE 20 AMP FUSE	
2.	818-572C	DECAL CONT BASE 3P BOOM CONT	
3.	818-571C	DECAL CONT BASE SA BOOM CONT	
4.	818-619C	DECAL HYD VALVE KNOB ADJUSTMNT	
5.	818-326C	DECAL CONTROL BOX POWER LEADS	

**Legend:** ① = 1st revision; ② = 2nd revision; ③ = 3rd revision; ● = use up existing stock; ⊗ = not interchangeable; ⊗ ① ② = for example: revision 2 is not interchangeable w/revision 1