

TRACTOR HYDRAULIC SYSTEM PUMP SELECTION GUIDE

How to match Ace Hydraulic Motor Driven Pumps
to your Tractor Hydraulic System



Visit www.AcePumps.com to use an interactive version of this guide.



HSG-2011

REGULATING HYDRAULIC FLOW TO THE SPRAYER PUMP

Locate your tractor model and follow the appropriate setup instructions.

WARNING: FAILURE TO REGULATE OIL FLOW WILL CAUSE MOTOR FAILURE.

WARNING: NOT SUITABLE FOR PUMPING FLAMMABLE LIQUIDS.

LOAD SENSING CLOSED CENTER SYSTEM (LS CLOSED)

Regulate oil flow with tractor's **FLOW CONTROL** and **FLOW LIMITER**.

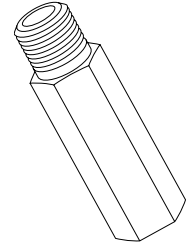
(Do not use restrictor orifice.)

Setup Instructions:

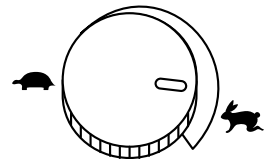
1. (Optional) Remove adapter and install flow limiter in motor inlet port (marked **I**).
2. Close motor needle valve: loosen jam nut, screw needle valve clockwise until seated, and lock jam nut. (factory setting)
3. Shut off sprayer boom and agitation valves.
4. Adjust tractor flow control to minimum flow setting (turtle).
5. Move hydraulic lever to "Lower/Retract" position to start pump.
6. Adjust tractor flow control until sprayer shut-off pressure is below maximum shown in table on page 3.

Note: If the flow limiter stops oil flow to the motor:

- 6a) Move hydraulic lever to "Float" or "Neutral" to remove oil pressure from the flow limiter.
 - 6b) Adjust tractor flow control to a lower flow position.
 - 6c) Repeat steps 5 and 6.
7. Open the sprayer agitation valve to get desired spraying pressure.



FLOW LIMITER



FLOW CONTROL

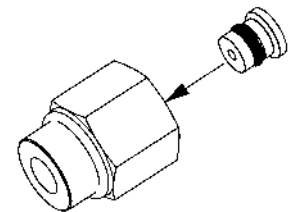
PRESSURE COMPENSATING CLOSED CENTER SYSTEM (PC CLOSED)

Regulate oil flow by using a **RESTRICTOR ORIFICE**.

(Do not use flow limiter.)

Setup Instructions:

1. Install restrictor orifice insert inside the adapter/restrictor body in the motor inlet port (marked **I**).
2. Close motor needle valve: loosen jam nut, screw needle valve clockwise until seated, and lock jam nut. (factory setting)
3. Set "Rabbit/Turtle" flow control to "Turtle".
4. Move hydraulic lever to the "Lower/Retract" position to start pump.
5. Adjust "Rabbit /Turtle" flow control and sprayer agitation valve to get desired spraying pressure.



RESTRICTOR ORIFICE

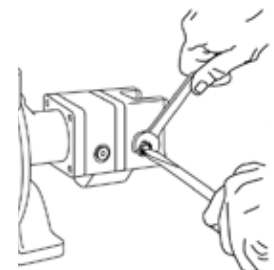
OPEN CENTER SYSTEM (OPEN)

Select motor size closest to tractor's hydraulic system capacity. Regulate oil flow with motor **NEEDLE VALVE**.

(Do not use restrictor orifice or flow limiter.)

Setup Instructions:

1. Shut off sprayer boom and agitation valves.
2. Loosen jam nut on motor and back out needle valve 3 or 4 turns counter clockwise.
3. Set tractor throttle to sprayer operating speed.
4. Move hydraulic lever to "Lower/Retract" position to start pump.
5. Screw needle valve clockwise until sprayer shut-off pressure is below maximum shown in table on page 3 and lock jam nut.
6. Open the sprayer agitation valve to get desired spraying pressure.



NEEDLE VALVE

HYDRAULIC SYSTEM CONNECTIONS

The following hydraulic connection recommendations are important for optimum pump efficiency and motor seal life.

1. Hydraulic hoses should be sized to insure proper oil supply to the motor and minimize return line pressure. Recommended hose sizes are:

200 Series	1/2"	M16 - FMC-650	5/8"
300 Series	3/4"		

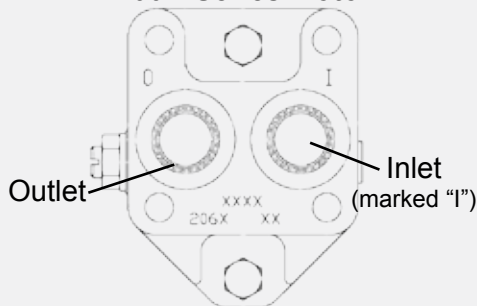
The hoses should be sized larger if individual hose lengths exceed 15 feet.

2. Connect the hydraulic hoses to the tractor hydraulic couplers so the pump operates with the control lever in the "Lower/Retract" position. The pump can then be turned off in the forward "Float" position. Turning the pump off in "Float" instead of "Neutral" allows the hydraulic system pressure to equalize and prevents the occurrence of damaging pressure spikes.
3. The return line should be connected to a low pressure return port if available. The low pressure return port routes oil directly to the reservoir minimizing return line pressure. Low return line pressure extends the motor seal life and increases operating efficiency.

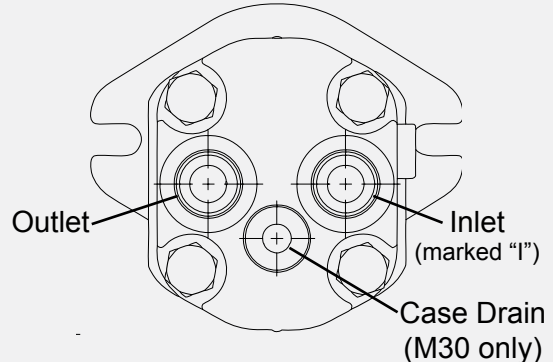
MAXIMUM SHUT-OFF PRESSURE			
FMC-HYD	100 PSI	FMC-200-HYD-210	80 PSI
FMC-150-HYD	120 PSI	FMC-200-HYD-304/310	120 PSI
FMC-650-HYD	160 PSI		

HYDRAULIC MOTOR CONNECTIONS

200N Series Motor



M Series Motor



Motor Ports

- 200N Series
 - Inlet & Outlet.....#8 SAE female
- 300 Series
 - Inlet & Outlet.....1/2" NPT female

- M16, M22, and M25
 - Inlet & Outlet.....#10 SAE female
- M30
 - Inlet & Outlet.....#10 SAE female
 - Case Drain.....#6 SAE female

External Motor Fittings

- 200 Series - Standard Fittings:**
 - Inlet - (BAC-78-8SAE).....1/2" NPT Female
 - Outlet - (BAC-80-8SAE).....1/2" NPT Female
- 200 Series - Optional Fittings (special order):**
 - Inlet - (BAC-80-10X8SAE).....#10 SAE Female
 - Outlet - (BAC-78-10X8SAE).....#10 SAE Female

- M Series - Standard Fittings:**
 - Inlet - (41446).....1/2" NPT Female
 - Outlet - (41442).....1/2" NPT Female
- M Series - Optional Fittings (special order):**
 - Inlet - (BAC-80-10X10SAE).....#10 SAE Female
 - Outlet - (BAC-78-10X10SAE).....#10 SAE Female



Agco									
MODEL	HYDRAULIC SYSTEM	MAXIMUM PRESSURE	MAXIMUM FLOW	FMC-75-HYD-204 FMC-HYD-204	FMC-75-HYD-206 FMC-150-HYD-206	FMC-HYD-210 FMC-200-HYD-210	FMC-150-HYD-304 FMC-200-HYD-304	FMC-HYD-310 FMC-200-HYD-310	FMC-650-HYD
4650	OPEN(1)	2610	6.3	✓					
4660	OPEN(1)	2610	7.4	✓	✓				
5650	OPEN(1)	2775	11	✓	✓	✓	✓		
5660	OPEN(1)	2775	11	✓	✓	✓	✓		
5670	OPEN(1)	2610	8.9	✓	✓				
5680	OPEN(1)	2610	10.25/12.7		✓	✓	✓		
6670	OPEN(1)	2610	8.9	✓	✓	✓			
6680	OPEN(1)	2610	10.25/12.7		✓	✓	✓		
6690	OPEN(1)	2610	10.25/12.7		✓	✓			
7600	OPEN(1)	2610	16.25			✓	✓		
7630	OPEN(1)	2610	16.25			✓	✓		
7650	OPEN(1)	2610	16.25			✓	✓		
8360	LS CLOSED	2500	27	✓	✓	✓	✓		✓
8425	LS CLOSED	2500	27	✓		✓	✓		✓
8610	OPEN(1)	2610	14.75		✓	✓	✓		✓
8630	OPEN(1)	2610	14.75		✓	✓	✓		✓
8745	OPEN	3045	27.7					✓	
8765	OPEN	3045	27.7					✓	
8775	LS CLOSED	2900	27.7	✓	✓	✓	✓		✓
8785	LS CLOSED	2900	27.7	✓	✓	✓	✓		✓
9435	LS CLOSED	2900	27	✓	✓	✓	✓		✓
9455	LS CLOSED	2900	27	✓	✓	✓	✓		✓
9630	PC CLOSED	2250	24	✓	✓	✓	✓		✓
9635	PC CLOSED	2250	22	✓	✓	✓	✓		✓
9650	PC CLOSED	2250	24	✓	✓	✓	✓		✓
9655	PC CLOSED	2250	22	✓	✓	✓	✓		✓
9670	PC CLOSED	2500	23	✓	✓	✓	✓		✓
9675	PC CLOSED	2500	22	✓	✓	✓	✓		✓
9690	PC CLOSED	2500	23	✓	✓	✓	✓		✓
9695	PC CLOSED	2500	22	✓	✓	✓	✓		✓
9735	LS CLOSED	2900	27.7	✓	✓	✓	✓		✓
9745	LS CLOSED	2900	27.7	✓	✓	✓	✓		✓
9755	LS CLOSED	2900	29/39	✓	✓	✓	✓		✓
9765	LS CLOSED	2900	29/39	✓	✓	✓	✓		✓
9775	LS CLOSED	2900	29/39	✓	✓	✓	✓		✓
9785	LS CLOSED	2900	29/39	✓	✓	✓	✓		✓
DT160	LS CLOSED	2900	29/39	✓	✓	✓	✓		✓
DT180	LS CLOSED	2900	29/39	✓	✓	✓	✓		✓
DT180A	LS CLOSED	2900	39	✓	✓	✓	✓		✓
DT200	LS CLOSED	2900	29/39	✓	✓	✓	✓		✓
DT200A	LS CLOSED	2900	39	✓	✓	✓	✓		✓
DT205B	LS CLOSED	2900	46	✓	✓	✓	✓		✓
DT220A	LS CLOSED	2900	39	✓	✓	✓	✓		✓
DT225	LS CLOSED	2900	29/39	✓	✓	✓	✓		✓
DT225B	LS CLOSED	2900	46	✓	✓	✓	✓		✓
DT240A	LS CLOSED	2900	39	✓	✓	✓	✓		✓
DT250B	LS CLOSED	2900	46	✓	✓	✓	✓		✓
DT275B	LS CLOSED	2900	46	✓	✓	✓	✓		✓
GT45A	OPEN	2750	14		✓	✓	✓		
GT55A	OPEN	2750	14		✓	✓	✓		
GT65A	OPEN	2750	14		✓	✓	✓		
GT75A	OPEN	2750	14		✓	✓	✓		
LT70	OPEN	3045	17			✓	✓		
LT75	OPEN	2900	26/15					✓	
LT75A	LS CLOSED(8)	2900	29	✓	✓	✓	✓		✓
LT75A	OPEN(8)	2900	15/26					✓	
LT85	OPEN	3045	17			✓	✓		
LT85A	LS CLOSED(8)	2900	29	✓	✓	✓	✓		✓
LT85A	OPEN(8)	2900	26/15					✓	
LT90	OPEN	2900	26/15					✓	
LT90A	LS CLOSED(8)	2900	29	✓	✓	✓	✓		✓
LT90A	OPEN(8)	2900	15/26					✓	
LT95A	LS CLOSED(8)	2900	29	✓	✓	✓	✓		✓
LT95A	OPEN(8)	2900	26/15					✓	
RT100	LS CLOSED	2900	29	✓	✓	✓	✓		✓
RT110A	LS CLOSED	2900	29	✓	✓	✓	✓		✓
RT115	LS CLOSED	2900	27.7	✓	✓	✓	✓		✓
RT120	LS CLOSED	2900	29	✓	✓	✓	✓		✓
RT120A	LS CLOSED	2900	29	✓	✓	✓	✓		✓
RT130	LS CLOSED	2900	27.7	✓	✓	✓	✓		✓
RT135	LS CLOSED	2900	29	✓	✓	✓	✓		✓
RT140A	LS CLOSED	2900	29	✓	✓	✓	✓		✓
RT150	LS CLOSED	2900	29	✓	✓	✓	✓		✓
RT155A	LS CLOSED	2900	29	✓	✓	✓	✓		✓
RT165A	LS CLOSED	2900	29	✓	✓	✓	✓		✓
RT180A	LS CLOSED	2900	29	✓	✓	✓	✓		✓
RT45	LS CLOSED	2900	27.7	✓	✓	✓	✓		✓
RT95	LS CLOSED	2900	27.7	✓	✓	✓	✓		✓

(1) An auxiliary oil cooler may be required for continuous duty sprayer pump operation.

(8) This model has multiple hydraulic systems available. Verify system type for proper pump selection and setup.

Agco Allis									
MODEL	HYDRAULIC SYSTEM	MAXIMUM PRESSURE	MAXIMUM FLOW	FMC-75-HYD-204 FMC-HYD-204	FMC-75-HYD-206 FMC-150-HYD-206	FMC-HYD-210 FMC-200-HYD-210	FMC-150-HYD-304 FMC-200-HYD-304	FMC-HYD-310 FMC-200-HYD-310	FMC-650-HYD
160	OPEN	2300	6.7	✓	✓				
170-D	OPEN	2000	10		✓	(9)	✓		
170-G	OPEN	2000	10		✓	(9)	✓		
175-D	OPEN	2400	11		✓	(9)	✓		
175-G	OPEN	2400	11		✓	(9)	✓		
180-D	OPEN	2000	10		✓	(9)	✓		
180-G	OPEN	2000	10		✓	(9)	✓		
185	OPEN	2000	10		✓	(9)	✓		
185-D	OPEN	2400	11		✓	(9)	✓		
190-D	OPEN	2000	12.75		✓	(9)	✓		
190-DXT	OPEN	2000	12.75		✓	(9)	✓		
190-GXT	OPEN	2000	12.75		✓	(9)	✓		
200	OPEN	2300	13.25		✓	(9)	✓		
210	OPEN	2000	18					✓	
220	OPEN	2000	18					✓	
440	OPEN	2000	20					✓	
4W 220(10)	LS CLOSED	2500	20	✓	✓	✓	✓		✓
4W 305(10)	LS CLOSED	2500	20	✓	✓	✓	✓		✓
5020	OPEN	1900	5.4	✓					
5030	OPEN	1900	5.4	✓					
5040	OPEN	2133	5.75	✓					
5045	OPEN	2200	6.25	✓					
5050	OPEN	2200	6.25	✓					
6040	OPEN	2300	7	✓	✓				
6060	OPEN	2300	10		✓	(9)	✓		
6070	OPEN	2375	11.5		✓	(9)	✓		
6080	OPEN	2300	10		✓	(9)	✓		
6140	OPEN	1900	NA						
7000	OPEN	2400	15		✓	✓	✓		✓
7010(10)	LS CLOSED	2500	17		✓	✓	✓		✓
7020(10)	LS CLOSED	2500	17	✓	✓	✓	✓		✓
7030(10)	LS CLOSED	2500	17	✓	✓	✓	✓		✓
7040(10)	LS CLOSED	2500	17	✓	✓	✓	✓		✓
7045(10)	LS CLOSED	2500	17	✓	✓	✓	✓		✓
7050(10)	LS CLOSED	2500	17	✓	✓	✓	✓		✓
7060(10)	LS CLOSED	2500	17	✓	✓	✓	✓		✓
7060-PS(10)	LS CLOSED	2500	17	✓	✓	✓	✓		✓
7080(10)	LS CLOSED	2500	18	✓	✓	✓	✓		✓
7580(10)	LS CLOSED	2500	18	✓	✓	✓	✓		✓
8010(10)	LS CLOSED	2500	17	✓	✓	✓	✓		✓
8030(10)	LS CLOSED	2500	17	✓	✓	✓	✓		✓
8050(10)	LS CLOSED	2500	17	✓	✓	✓	✓		✓
8070(10)	LS CLOSED	2500	18	✓	✓	✓	✓		✓
8550(10)	LS CLOSED	2500	18	✓	✓	✓	✓		✓

Buhler Versatile									
MODEL	HYDRAULIC SYSTEM	MAXIMUM PRESSURE	MAXIMUM FLOW	FMC-75-HYD-204 FMC-HYD-204	FMC-75-HYD-206 FMC-150-HYD-206	FMC-HYD-210 FMC-200-HYD-210	FMC-150-HYD-304 FMC-200-HYD-304	FMC-HYD-310 FMC-200-HYD-310	FMC-650-HYD
305	LS CLOSED	2950	50	✓	✓	✓	✓		✓
340	LS CLOSED	2950	50	✓	✓	✓	✓		✓
375	LS CLOSED	2950	50	✓	✓	✓	✓		✓
400	LS CLOSED	2950	50	✓	✓	✓	✓		✓
435	LS CLOSED	2900	55	✓	✓	✓	✓		✓
485	LS CLOSED	2900	55	✓	✓	✓	✓		✓
535	LS CLOSED	2900	55	✓	✓	✓	✓		✓
2145	LS CLOSED	2900	27/55	✓	✓	✓	✓		✓
2160	LS CLOSED	2900	27/55	✓	✓	✓	✓		✓
2180	LS CLOSED	2900	27/55	✓	✓	✓	✓		✓
2210	LS CLOSED	2900	27/55	✓	✓	✓	✓		✓
2240	LS CLOSED	2900	30/45	✓	✓	✓	✓		✓
2270	LS CLOSED	2900	30/45	✓	✓	✓	✓		✓
2290	LS CLOSED	2900	45	✓	✓	✓	✓		✓
2310	LS CLOSED	2900	30/45	✓	✓	✓	✓		✓
2335	LS CLOSED	2900	30/45	✓	✓	✓	✓		✓
2360	LS CLOSED	2900	30/50	✓	✓	✓	✓		✓
2375	LS CLOSED	2900	30/45	✓	✓	✓	✓		✓
2425	LS CLOSED	2900	30/50	✓	✓	✓	✓		✓

(9) Select model FMC-HYD-210 when pumping pressures between 60 and 100 PSI are required.

(10) This system is set up similar to a PC closed system.



Case									
MODEL	HYDRAULIC SYSTEM	MAXIMUM PRESSURE	MAXIMUM FLOW	FMC-75-HYD-204 FMC-HYD-204	FMC-75-HYD-206 FMC-150-HYD-206	FMC-HYD-210 FMC-200-HYD-210	FMC-150-HYD-304 FMC-200-HYD-304	FMC-HYD-310 FMC-200-HYD-310	FMC-650-HYD
470	OPEN	1550	8.6	✓	✓	(9)			
570	OPEN	1550	9.3	✓	✓	(9)			
770	OPEN	1550	16		✓	✓	✓		
870	OPEN	1550	16		✓	✓	✓		
970	OPEN	1900	16		✓	✓	✓		
1070	OPEN	2100	16		✓	✓	✓		
1090	OPEN	2250	16		✓	✓	✓		
1170	OPEN	2250	16		✓	✓	✓		
1175	OPEN	2250	16		✓	✓	✓		
1190	OPEN	2200	7.25	✓	✓				
1194	OPEN	2200	7.25	✓	✓				
1270	OPEN	2200	20					✓	
1290	OPEN	2200	7.25	✓	✓				
1294	OPEN	2200	7.25	✓	✓				
1370	OPEN	2200	20					✓	
1390	OPEN	2200	15.3		✓	✓	✓		
1394	OPEN	2200	15.3		✓	✓	✓		
1470	OPEN	2200	16		✓	✓	✓		
1490	OPEN	2200	15.3		✓	✓	✓		
1494	OPEN	2200	15.3		✓	✓	✓		
1570	OPEN	2200	20					✓	
1594	OPEN	2200	20.1					✓	
1690	OPEN	2200	20.1					✓	
1896	LS CLOSED	2250	22	✓	✓	✓	✓		✓
2090	LS CLOSED	2250	22	✓	✓	✓	✓		✓
2094	LS CLOSED	2250	22	✓	✓	✓	✓		✓
2096	LS CLOSED	2250	22	✓	✓	✓	✓		✓
2290	LS CLOSED	2250	22	✓	✓	✓	✓		✓
2294	LS CLOSED	2250	22	✓	✓	✓	✓		✓
2390	LS CLOSED	2250	24	✓	✓	✓	✓		✓
2394	LS CLOSED	2250	24	✓	✓	✓	✓		✓
2470	OPEN	2050	17			✓	✓		✓
2590	LS CLOSED	2250	24	✓	✓	✓	✓		✓
2594	LS CLOSED	2250	24	✓	✓	✓	✓		✓
2670	OPEN	2050	17			✓	✓		✓
2870	OPEN	2050	22					✓	
3294	LS CLOSED	2250	22	✓	✓	✓	✓		✓
3394	LS CLOSED	2250	24	✓	✓	✓	✓		✓
3594	LS CLOSED	2250	24	✓	✓	✓	✓		✓
4490	LS CLOSED	2250	24	✓	✓	✓	✓		✓
4494	LS CLOSED	2250	24	✓	✓	✓	✓		✓
4690	LS CLOSED	2250	24	✓	✓	✓	✓		✓
4694	LS CLOSED	2250	24	✓	✓	✓	✓		✓
4890	LS CLOSED	2250	24	✓	✓	✓	✓		✓
4894	LS CLOSED	2250	24	✓	✓	✓	✓		✓
4994	LS CLOSED	2250	30	✓	✓	✓	✓		✓



Case-IH									
MODEL	HYDRAULIC SYSTEM	MAXIMUM PRESSURE	MAXIMUM FLOW	FMC-75-HYD-204 FMC-HYD-204	FMC-75-HYD-206 FMC-150-HYD-206	FMC-HYD-210 FMC-200-HYD-210	FMC-150-HYD-304 FMC-200-HYD-304	FMC-HYD-310 FMC-200-HYD-310	FMC-650-HYD
245	OPEN	NA	3.4	✓					
265	OPEN	NA	5.7	✓					
275	OPEN	NA	7.3	✓	✓				
385	OPEN	2500	11.3		✓	(9)	✓		
395	OPEN	2500	11.3		✓	(9)	✓		
485	OPEN	2500	12.6		✓	(9)	✓		
495	OPEN	2500	12.6		✓	(9)	✓		
585	OPEN	2500	12.1/14.3		✓	✓	✓		
595	OPEN	2500	12.1/14.3		✓	✓	✓		
685	OPEN	2500	12.7/15.1		✓	✓	✓		
695	OPEN	2500	12.7/15.1		✓	✓	✓		
885	OPEN	2500	12.7/15.1		✓	✓	✓		
895	OPEN	2500	12.7/15.1		✓	✓	✓		
995	OPEN	2500	12.7/15.1		✓	✓	✓		
1394	OPEN	2300	15.3		✓	✓	✓		
1494	OPEN	2300	15.3		✓	✓	✓		
1594	OPEN	2300	20.1					✓	
1896	LS CLOSED	2250	23	✓	✓	✓	✓		✓
2096	LS CLOSED	2250	23	✓	✓	✓	✓		✓
3220	OPEN	2500	14.7/16.9		✓	✓	✓	(11)	
3230	OPEN	2500	15.3/17.7					(11)	
4210	OPEN	2500	16.1/18.4					✓	
4230	OPEN	2500	16.1/18.4					✓	
4240	OPEN	2500	16.1/18.4					✓	

(9) Select model FMC-HYD-210 when pumping pressures between 60 and 100 PSI are required.

(11) Tractors with open center hydraulic systems 16 GPM and larger use the -310 motors only.



Case-IH									
MODEL	HYDRAULIC SYSTEM	MAXIMUM PRESSURE	MAXIMUM FLOW	FMC-75-HYD-204 FMC-HYD-204	FMC-75-HYD-206 FMC-150-HYD-206	FMC-HYD-210 FMC-200-HYD-210	FMC-150-HYD-304 FMC-200-HYD-304	FMC-HYD-310 FMC-200-HYD-310	FMC-650-HYD
4494	LS CLOSED	2250	24	✓	✓	✓	✓		✓
4694	LS CLOSED	2250	24	✓	✓	✓	✓		✓
4894	LS CLOSED	2250	24	✓	✓	✓	✓		✓
4994	LS CLOSED	2250	24	✓	✓	✓	✓		✓
5120	LS CLOSED	2400	17	✓	✓	✓	✓		✓
5130	LS CLOSED	2400	17	✓	✓	✓	✓		✓
5140	LS CLOSED	2400	17	✓	✓	✓	✓		✓
5220	LS CLOSED	2400	17	✓	✓	✓	✓		✓
5230	LS CLOSED	2400	17	✓	✓	✓	✓		✓
5240	LS CLOSED	2400	17	✓	✓	✓	✓		✓
5250	LS CLOSED	2400	17	✓	✓	✓	✓		✓
7110	LS CLOSED	2300	22	✓	✓	✓	✓		✓
7120	LS CLOSED	2300	22	✓	✓	✓	✓		✓
7130	LS CLOSED	2300	22	✓	✓	✓	✓		✓
7140	LS CLOSED	2300	22	✓	✓	✓	✓		✓
7150	LS CLOSED	2300	22	✓	✓	✓	✓		✓
7210	LS CLOSED	2300	22	✓	✓	✓	✓		✓
7220	LS CLOSED	2300	22	✓	✓	✓	✓		✓
7230	LS CLOSED	2300	22	✓	✓	✓	✓		✓
7240	LS CLOSED	2300	22	✓	✓	✓	✓		✓
7250	LS CLOSED	2300	22	✓	✓	✓	✓		✓
8910	LS CLOSED	2800	29	✓	✓	✓	✓		✓
8920	LS CLOSED	2800	29	✓	✓	✓	✓		✓
8930	LS CLOSED	2800	29	✓	✓	✓	✓		✓
8940	LS CLOSED	2800	29	✓	✓	✓	✓		✓
8950	LS CLOSED	2800	29	✓	✓	✓	✓		✓
9170	LS CLOSED	2500	27	✓	✓	✓	✓		✓
9180	LS CLOSED	2500	27	✓	✓	✓	✓		✓
9210	LS CLOSED	2500	27	✓	✓	✓	✓		✓
9230	LS CLOSED	2500	27	✓	✓	✓	✓		✓
9240	LS CLOSED	2500	27	✓	✓	✓	✓		✓
9250	LS CLOSED	2500	27	✓	✓	✓	✓		✓
9260	LS CLOSED	2500	27	✓	✓	✓	✓		✓
9270	LS CLOSED	2500	27	✓	✓	✓	✓		✓
9280	LS CLOSED	2500	27	✓	✓	✓	✓		✓
9310	LS CLOSED	2900	27	✓	✓	✓	✓		✓
9330	LS CLOSED	2900	28	✓	✓	✓	✓		✓
9350	LS CLOSED	2900	30	✓	✓	✓	✓		✓
9370	LS CLOSED	2900	30/60	✓	✓	✓	✓		✓
9380	LS CLOSED	2900	30/60	✓	✓	✓	✓		✓
9390	LS CLOSED	2900	30/60	✓	✓	✓	✓		✓
65C	OPEN	2755	12.8		✓	✓	✓		✓
9110 PUMA	LS CLOSED	2500	27	✓	✓	✓	✓		✓
9130 WILDCAT	LS CLOSED	2500	27	✓	✓	✓	✓		✓
9150 COUGAR	LS CLOSED	2500	27	✓	✓	✓	✓		✓
C100	OPEN	2500	16		✓	✓	✓		
C50	OPEN	2500	16		✓	✓	✓		
C60	OPEN	2500	16		✓	✓	✓		
C70	OPEN	2500	16		✓	✓	✓		
C80	OPEN	2500	16		✓	✓	✓		
C90	OPEN	2500	16		✓	✓	✓		
CX100	OPEN	2500	16		✓	✓	✓		
CX50	OPEN	2500	16		✓	✓	✓		
CX60	OPEN	2500	16		✓	✓	✓		
CX70	OPEN	2500	16		✓	✓	✓		
CX80	OPEN	2500	16		✓	✓	✓		
CX90	OPEN	2500	16		✓	✓	✓		
D35	OPEN	2500	9.8		✓	✓	✓		
D40	OPEN	2500	9.8		✓	✓	✓		
D45	OPEN	2500	9.8		✓	✓	✓		
DX18E	OPEN	2500	3.8	✓					
DX21	OPEN	2500	4.9	✓					
DX22E	OPEN	2500	3.8	✓					
DX24	OPEN	2500	4.9	✓					
DX24E	OPEN	2500	3.8	✓					
DX25E	OPEN	2500	3.8	✓					
DX29	OPEN	2500	7.6		✓				
DX31	OPEN	2500	7.6	✓	✓				
DX33	OPEN	2500	7.6	✓	✓				
DX34	OPEN	2500	7.6	✓	✓				
DX35	OPEN	2500	9.8		✓	✓			
DX40	OPEN	2500	9.8		✓	✓			
DX45	OPEN	2500	9.8		✓	✓			
DX48	OPEN	2500	12		✓	✓	✓		
DX55	OPEN	2500	11.6		✓	✓	✓		
FARMALL 105U	OPEN	NA	16.1		✓	✓	✓		
FARMALL 31	OPEN	NA	12.3		✓	✓	✓		✓
FARMALL 35	OPEN	NA	12.3		✓	✓	✓		✓
FARMALL 40	OPEN	NA	14.9		✓	✓	✓		✓
FARMALL 45	OPEN	NA	14.9		✓	✓	✓		✓



Case-IH									
MODEL	HYDRAULIC SYSTEM	MAXIMUM PRESSURE	MAXIMUM FLOW	FMC-75-HYD-204 FMC-HYD-204	FMC-75-HYD-206 FMC-150-HYD-206	FMC-HYD-210 FMC-200-HYD-210	FMC-150-HYD-304 FMC-200-HYD-304	FMC-HYD-310 FMC-200-HYD-310	FMC-650-HYD
FARMALL 50	OPEN	NA	14.9		✓	✓	✓		
FARMALL 55	OPEN	NA	16.9			✓	✓		
FARMALL 60	OPEN	NA	17.5			✓	✓		
FARMALL 65C	OPEN(8)	2755	12.8		✓	✓	✓		
FARMALL 65C	OPEN(8)	2755	16.9			✓	✓		
FARMALL 70	OPEN	NA	13.6		✓	✓	✓		✓
FARMALL 75C	OPEN(8)	2755	12.8		✓	✓	✓		
FARMALL 75C	OPEN(8)	2755	16.9			✓	✓		
FARMALL 75N	OPEN	NA	12.8		✓	✓	✓		✓
FARMALL 80	OPEN	NA	13.6		✓	✓	✓		✓
FARMALL 85C	OPEN	2755	15		✓	✓	✓		
FARMALL 85U	OPEN	NA	16.1		✓	✓	✓		
FARMALL 90	OPEN	2755	13.6		✓	✓	✓		
FARMALL 95	OPEN	2755	13.6		✓	✓	✓		
FARMALL 95C	OPEN	2755	15		✓	✓	✓		
FARMALL 95N	OPEN	NA	17.2			✓	✓		
FARMALL 95U	OPEN	NA	16.1		✓	✓	✓		
JC70	OPEN	2750	13.6		✓	✓	✓		
JX1060C	OPEN	2750	12.4/16.9		✓	✓	✓		
JX1070C	OPEN	2750	12.4/16.9		✓	✓	✓		
JX1075C	OPEN	2750	12.4/16.9		✓	✓	✓		
JX1075N 2WD	OPEN(8)	2610	12.4			✓	✓		
JX1075N MFD	OPEN(8)	2610	16.9			✓	✓		
JX1080U	OPEN	2750	15.5/25.9					✓	
JX1085C	OPEN	2750	16.9		✓	✓	✓		
JX1090U	OPEN	2750	15.5/25.9					✓	
JX1095	OPEN	2750	24.2					✓	
JX1095C	OPEN	2750	16.9		✓	✓	✓		
JX1095N 2WD	OPEN(8)	2610	12.4		✓	✓	✓		
JX1095N MFD	OPEN(8)	2610	16.9			✓	✓		
JX1100U	OPEN	2750	15.5/25.9					✓	
JX60	OPEN	2750	13.6/21.7					✓	
JX70	OPEN	2750	13.6/21.7					✓	
JX80	OPEN	2750	13.6/21.7					✓	
JX90	OPEN	2750	13.6/21.7					✓	
JX95	OPEN	2750	13.6/21.7					✓	
MAGNUM 180	LS CLOSED	3050	39.6	✓	✓	✓	✓		✓
MAGNUM 190	LS CLOSED	3050	39.6	✓	✓	✓	✓		✓
MAGNUM 210	LS CLOSED	3050	39.6	✓	✓	✓	✓		✓
MAGNUM 215	LS CLOSED	3050	44/59/75	✓	✓	✓	✓		✓
MAGNUM 245	LS CLOSED	3050	44/59/75	✓	✓	✓	✓		✓
MAGNUM 275	LS CLOSED	3050	44/59/75	✓	✓	✓	✓		✓
MAGNUM 305	LS CLOSED	3050	44/59/75	✓	✓	✓	✓		✓
MAGNUM 335	LS CLOSED	3050	46/62/78	✓	✓	✓	✓		✓
MAXXUM 110	OPEN	2750	16.6			✓	✓		
MAXXUM 110 PRO	LS CLOSED	2750	26.5	✓	✓	✓	✓		✓
MAXXUM 115	OPEN	2750	16.6			✓	✓		
MAXXUM 120 PRO	LS CLOSED	2750	26.5	✓	✓	✓	✓		✓
MAXXUM 125	OPEN	2750	16.6			✓	✓		
MAXXUM 125 PRO	LS CLOSED	2750	26.5	✓	✓	✓	✓		✓
MAXXUM 130 PRO	LS CLOSED	2750	26.5	✓	✓	✓	✓		✓
MAXXUM 140 PRO	LS CLOSED	2750	26.5	✓	✓	✓	✓		✓
MX100	LS CLOSED	2950	25	✓	✓	✓	✓		✓
MX100C	LS CLOSED	2950	25	✓	✓	✓	✓		✓
MX100U	OPEN(8)	2970	19.8			✓	✓	✓	
MX100U	LS CLOSED(8)	2950	25	✓	✓	✓	✓		✓
MX110	LS CLOSED	2950	25	✓	✓	✓	✓		✓
MX110U	OPEN(8)	2970	19.8			✓	✓	✓	
MX110U	LS CLOSED(8)	2950	25	✓	✓	✓	✓		✓
MX120	LS CLOSED	2950	25	✓	✓	✓	✓		✓
MX125U	OPEN(8)	2970	19.8			✓	✓	✓	
MX125U	LS CLOSED(8)	2950	25	✓	✓	✓	✓		✓
MX135	LS CLOSED	2950	25	✓	✓	✓	✓		✓
MX150	LS CLOSED	2950	28	✓	✓	✓	✓		✓
MX170	LS CLOSED	2950	28	✓	✓	✓	✓		✓
MX180	LS CLOSED	2900	30	✓	✓	✓	✓		✓
MX200	LS CLOSED	2900	30	✓	✓	✓	✓		✓
MX210	LS CLOSED	2950	38.6/53.1	✓	✓	✓	✓		✓
MX220	LS CLOSED	2900	30	✓	✓	✓	✓		✓
MX230	LS CLOSED	2950	38.6/53.1	✓	✓	✓	✓		✓
MX240	LS CLOSED	2900	30	✓	✓	✓	✓		✓
MX255	LS CLOSED	2950	38.6/53.1	✓	✓	✓	✓		✓
MX270	LS CLOSED	2900	30	✓	✓	✓	✓		✓
MX285	LS CLOSED	2950	38.6/53.1	✓	✓	✓	✓		✓
MX80	LS CLOSED	2950	25	✓	✓	✓	✓		✓
MX80C	LS CLOSED	2950	25	✓	✓	✓	✓		✓
MX90	LS CLOSED	2950	25	✓	✓	✓	✓		✓
MX90C	LS CLOSED	2950	25	✓	✓	✓	✓		✓
MXM120	LS CLOSED	2750	28	✓	✓	✓	✓		✓
MXM130	LS CLOSED	2750	28	✓	✓	✓	✓		✓

(8) This model has multiple hydraulic systems available. Verify system type for proper pump selection and setup.



Case-IH									
MODEL	HYDRAULIC SYSTEM	MAXIMUM PRESSURE	MAXIMUM FLOW	FMC-75-HYD-204 FMC-HYD-204	FMC-75-HYD-206 FMC-150-HYD-206	FMC-HYD-210 FMC-200-HYD-210	FMC-150-HYD-304 FMC-200-HYD-304	FMC-HYD-310 FMC-200-HYD-310	FMC-650-HYD
MXM130 VALUE	OPEN	2750	24.5					✓	
MXM140	LS CLOSED	2750	28	✓	✓	✓	✓		✓
MXM140 VALUE	OPEN	2750	24.5					✓	
MXM155	LS CLOSED	2750	28	✓	✓	✓	✓		✓
MXM175	LS CLOSED	2750	31.8/39.6	✓	✓	✓	✓		✓
MXM190	LS CLOSED	2750	31.8/39.6	✓	✓	✓	✓		✓
MXU100	LS CLOSED(8)	3118	26.5	✓	✓	✓	✓		✓
MXU100	OPEN(8)	2974	19.8					✓	
MXU110	LS CLOSED(8)	3118	26.5	✓		✓	✓		✓
MXU110	OPEN(8)	2974	19.8					✓	
MXU115	OPEN(8)	3000	21.1					✓	
MXU115	LS CLOSED(8)	3000	29.9	✓	✓	✓	✓		✓
MXU125	LS CLOSED(8)	3118	26.5	✓	✓	✓	✓		✓
MXU125	OPEN(8)	2974	19.8					✓	
MXU135	LS CLOSED	3118	26.5	✓	✓	✓	✓		✓
PUMA 115	LS CLOSED	2750	26.5	✓	✓	✓	✓		✓
PUMA 125	LS CLOSED	2750	26.5	✓	✓	✓	✓		✓
PUMA 140	LS CLOSED	2750	26.5	✓	✓	✓	✓		✓
PUMA 155	LS CLOSED	2750	26.5	✓	✓	✓	✓		✓
PUMA 165	LS CLOSED	2750	31.7/39.6	✓	✓	✓	✓		✓
PUMA 165CVT	LS CLOSED	NA	39.6/45	✓	✓	✓	✓		✓
PUMA 180	LS CLOSED	2750	31.7/39.6	✓	✓	✓	✓		✓
PUMA 180 CVT	LS CLOSED	NA	39.6/45	✓	✓	✓	✓		✓
PUMA 195	LS CLOSED	2750	31.7/39.6	✓	✓	✓	✓		✓
PUMA 195 CVT	LS CLOSED	NA	39.6/45	✓	✓	✓	✓		✓
PUMA 210	LS CLOSED	2750	31.7/39.6	✓	✓	✓	✓		✓
PUMA 210 CVT	LS CLOSED	NA	39.6/45	✓	✓	✓	✓		✓
PUMA 225 CVT	LS CLOSED	NA	39.6/45	✓	✓	✓	✓		✓
QUADTRAC	LS CLOSED	2900	30	✓	✓	✓	✓		✓
STEIGER 385/QUADTRAC	LS CLOSED	NA	40/55/90	✓	✓	✓	✓		✓
STEIGER 435/QUADTRAC	LS CLOSED	NA	40/55/90	✓	✓	✓	✓		✓
STEIGER 485/QUADTRAC	LS CLOSED	NA	40/55/90	✓	✓	✓	✓		✓
STEIGER 535/QUADTRAC	LS CLOSED	NA	42/57/94	✓	✓	✓	✓		✓
STEIGER STX335	LS CLOSED	NA	40/55/90	✓	✓	✓	✓		✓
STX275	LS CLOSED	2950	40/55	✓	✓	✓	✓		✓
STX280	LS CLOSED	3050	40/55	✓	✓	✓	✓		✓
STX325	LS CLOSED	2950	40/55	✓	✓	✓	✓		✓
STX330	LS CLOSED	3050	40/55	✓	✓	✓	✓		✓
STX375	LS CLOSED	2950	40/55	✓	✓	✓	✓		✓
STX380 & QUADTRAC	LS CLOSED	3050	40/55	✓	✓	✓	✓		✓
STX385 & QUADTRAC	LS CLOSED	NA	40	✓	✓	✓	✓		✓
STX425	LS CLOSED	2950	40/55	✓	✓	✓	✓		✓
STX430 & QUADTRAC	LS CLOSED	3050	40/55	✓	✓	✓	✓		✓
STX435 & QUADTRAC	LS CLOSED	NA	40	✓	✓	✓	✓		✓
STX440	LS CLOSED	2950	40/55	✓	✓	✓	✓		✓
STX450	LS CLOSED	2950	40/55	✓	✓	✓	✓		✓
STX480 & QUADTRAC	LS CLOSED	3050	40/55	✓	✓	✓	✓		✓
STX485 & QUADTRAC	LS CLOSED	NA	40	✓	✓	✓	✓		✓
STX500	LS CLOSED	2950	42/57	✓	✓	✓	✓		✓
STX530 & QUADTRAC	LS CLOSED	3050	42/57	✓	✓	✓	✓		✓
STX535	LS CLOSED	NA	42	✓	✓	✓	✓		✓



Cat									
MODEL	HYDRAULIC SYSTEM	MAXIMUM PRESSURE	MAXIMUM FLOW	FMC-75-HYD-204 FMC-HYD-204	FMC-75-HYD-206 FMC-150-HYD-206	FMC-HYD-210 FMC-200-HYD-210	FMC-150-HYD-304 FMC-200-HYD-304	FMC-HYD-310 FMC-200-HYD-310	FMC-650-HYD
35	LS CLOSED	2500/2900	24/31.2	✓	✓	✓	✓		✓
45	LS CLOSED	2500/2900	24/31.2	✓	✓	✓	✓		✓
55	LS CLOSED	2500/2900	31.5/31.2	✓	✓	✓	✓		✓
65B(1)	LS CLOSED	2550	27.5	✓	✓	✓	✓		✓
65C	LS CLOSED	2550	27.5	✓	✓	✓	✓		✓
65D	LS CLOSED	2750	27.5	✓	✓	✓	✓		✓
65E	LS CLOSED	2900	30	✓	✓	✓	✓		✓
70C	LS CLOSED	2500	27.5	✓	✓	✓	✓		✓
75C	LS CLOSED	2550	27.5	✓	✓	✓	✓		✓
75D	LS CLOSED	2550	27.5	✓	✓	✓	✓		✓
75E	LS CLOSED	2900	30	✓	✓	✓	✓		✓
85C	LS CLOSED	2500	27.5	✓	✓	✓	✓		✓
85D	LS CLOSED	2500	27.5	✓	✓	✓	✓		✓
85E	LS CLOSED	2900	30	✓	✓	✓	✓		✓
95E	LS CLOSED	2900	30	✓	✓	✓	✓		✓

(1) An auxiliary oil cooler may be required for continuous duty sprayer pump operations.

(8) This model has multiple hydraulic systems available. Verify system type for proper pump selection and setup.



Challenger									
MODEL	HYDRAULIC SYSTEM	MAXIMUM PRESSURE	MAXIMUM FLOW	FMC-75-HYD-204 FMC-HYD-204	FMC-75-HYD-206 FMC-150-HYD-206	FMC-200-HYD-210 FMC-200-HYD-210	FMC-150-HYD-304 FMC-200-HYD-304	FMC-HYD-310 FMC-200-HYD-310	FMC-650-HYD
MT315B	OPEN	2755	15.8		✓	✓	✓		
MT325B	OPEN	2755	15.8		✓	✓	✓		
MT335B	OPEN	2755	15.8		✓	✓	✓		
MT345B	OPEN	2755	15.8		✓	✓	✓		
MT425	OPEN	3050	10/17.4		✓	✓	✓	(11)	
MT425B	OPEN	2900	26.4					✓	
MT445	OPEN	3050	10/17.4		✓	✓	✓	(11)	
MT445B(8)	OPEN	2900	26.4					✓	
MT445B(8)	LS CLOSED	2900	29	✓	✓	✓	✓		
MT455	OPEN	3050	10/17.4		✓	✓	✓	(11)	
MT455B(8)	OPEN	2900	26.4					✓	
MT455B(8)	LS CLOSED	2900	29	✓	✓	✓	✓		
MT465	OPEN	3050	10/17.4		✓	✓	✓	(11)	
MT465B(8)	OPEN	2900	26.4					✓	
MT465B(8)	LS CLOSED	2900	29	✓	✓	✓	✓		
MT475B(8)	OPEN	2900	26.4					✓	
MT475B(8)	LS CLOSED	2900	29	✓	✓	✓	✓		
MT525B	LS CLOSED	2900	29	✓	✓	✓	✓		
MT535	LS CLOSED	2900	23.8	✓	✓	✓	✓		✓
MT535B	LS CLOSED	2900	29	✓	✓	✓	✓		
MT545	LS CLOSED	2900	23.8	✓	✓	✓	✓		✓
MT545B	LS CLOSED	2900	29	✓	✓	✓	✓		
MT555B	LS CLOSED	2900	29	✓	✓	✓	✓		✓
MT565	LS CLOSED	2900	29/39	✓	✓	✓	✓		✓
MT565B	LS CLOSED	2900	29	✓	✓	✓	✓		
MT575B	LS CLOSED	2900	29	✓	✓	✓	✓		✓
MT635	LS CLOSED	2900	29/39	✓	✓	✓	✓		✓
MT635B	LS CLOSED	2900	39	✓	✓	✓	✓		✓
MT645	LS CLOSED	2900	29/39	✓	✓	✓	✓		✓
MT645B	LS CLOSED	2900	39	✓	✓	✓	✓		✓
MT645C	LS CLOSED	2900	26.4	✓	✓	✓	✓		✓
MT655	LS CLOSED	2900	29/39	✓	✓	✓	✓		✓
MT655B	LS CLOSED	2900	39	✓	✓	✓	✓		✓
MT655C	LS CLOSED	2900	26.4	✓	✓	✓	✓		✓
MT665	LS CLOSED	2900	29/39	✓	✓	✓	✓		✓
MT665B	LS CLOSED	2900	39	✓	✓	✓	✓		✓
MT665C	LS CLOSED	2900	26.4	✓	✓	✓	✓		✓
MT675C	LS CLOSED	2900	26.4	✓	✓	✓	✓		✓
MT735	LS CLOSED	2900	43.5	✓	✓	✓	✓		✓
MT745	LS CLOSED	2900	43.5	✓	✓	✓	✓		✓
MT745B	LS CLOSED	2900	43.5	✓	✓	✓	✓		✓
MT755	LS CLOSED	2900	43.5	✓	✓	✓	✓		✓
MT755B	LS CLOSED	2900	43.5	✓	✓	✓	✓		✓
MT755C	LS CLOSED	2900	36	✓	✓	✓	✓		✓
MT765	LS CLOSED	2900	43.5	✓	✓	✓	✓		✓
MT765B	LS CLOSED	2900	43.5	✓	✓	✓	✓		✓
MT765C	LS CLOSED	2900	36	✓	✓	✓	✓		✓
MT835	LS CLOSED	2900	43.5/59	✓	✓	✓	✓		✓
MT835B	LS CLOSED	2900	43.5/59	✓	✓	✓	✓		✓
MT835C	LS CLOSED	2900	36	✓	✓	✓	✓		✓
MT845	LS CLOSED	2900	43.5/59	✓	✓	✓	✓		✓
MT845B	LS CLOSED	2900	43.5/59	✓	✓	✓	✓		✓
MT845C	LS CLOSED	2900	36	✓	✓	✓	✓		✓
MT855	LS CLOSED	2900	43.5/59	✓	✓	✓	✓		✓
MT855B	LS CLOSED	2900	43.5/59	✓	✓	✓	✓		✓
MT855C	LS CLOSED	2900	36	✓	✓	✓	✓		✓
MT865	LS CLOSED	2900	43.5/59	✓	✓	✓	✓		✓
MT865B	LS CLOSED	2900	43.5/59	✓	✓	✓	✓		✓
MT865C	LS CLOSED	2900	36	✓	✓	✓	✓		✓
MT875	LS CLOSED	2900	43.5/59	✓	✓	✓	✓		✓
MT875B	LS CLOSED	2900	43.5/59	✓	✓	✓	✓		✓
MT875C	LS CLOSED	2900	36	✓	✓	✓	✓		✓
MT945B	LS CLOSED	2900	43.5/59	✓	✓	✓	✓		✓
MT945C	LS CLOSED	2900	36	✓	✓	✓	✓		✓
MT955B	LS CLOSED	2900	43.5/59	✓	✓	✓	✓		✓
MT955C	LS CLOSED	2900	36	✓	✓	✓	✓		✓
MT965B	LS CLOSED	2900	43.5/59	✓	✓	✓	✓		✓
MT965C	LS CLOSED	2900	36	✓	✓	✓	✓		✓
MT975B	LS CLOSED	2900	43.5/59	✓	✓	✓	✓		✓
MT975C	LS CLOSED	2900	36	✓	✓	✓	✓		✓

(8) This model has multiple hydraulic systems available. Verify system type for proper pump selection and setup.

(11) Tractors with open center hydraulic systems 16 GPM and larger use the -310 motors only.

Deutz Allis									
MODEL	HYDRAULIC SYSTEM	MAXIMUM PRESSURE	MAXIMUM FLOW	FMC-75-HYD-204 FMC-HYD-204	FMC-75-HYD-206 FMC-150-HYD-206	FMC-HYD-210 FMC-200-HYD-210	FMC-150-HYD-304 FMC-200-HYD-304	FMC-HYD-310 FMC-200-HYD-310	FMC-650-HYD
4W305	LS CLOSED	2500	23	✓	✓	✓	✓		✓
5220(12)	OPEN	1985	5.15	✓					
5230(12)	OPEN	1985	6.4	✓					
6240(12)	OPEN	2538	7.5	✓	✓				
6250	OPEN	2538	11		✓	(9)	✓		
6260	OPEN	2538	11		✓	(9)	✓		
6265	OPEN	2538	10.5		✓	(9)	✓		
6275	OPEN	2538	10.5		✓	(9)	✓		
7085	OPEN	2538	12.4		✓		✓		
7110	OPEN	2538	15.3		✓	✓	✓		
7120	OPEN	2538	14.8		✓	✓	✓		✓
7145	OPEN	2538	18.2					✓	
8010	LS CLOSED	2500	22	✓	✓	✓	✓		
8030	LS CLOSED	2500	22	✓	✓	✓	✓		
8050	LS CLOSED	2500	22	✓	✓	✓	✓		
8070	LS CLOSED	2500	22	✓	✓	✓	✓		
8550	LS CLOSED	2500	23	✓	✓	✓	✓		
9130	PC CLOSED	2275	23	✓	✓		✓		✓
9150	PC CLOSED	2275	24	✓	✓		✓		✓
9170	PC CLOSED	2275	23	✓	✓		✓		✓
9190	PC CLOSED	2500	23	✓	✓		✓		✓



INTERNATIONAL HARVESTER

International Harvester									
MODEL	HYDRAULIC SYSTEM	MAXIMUM PRESSURE	MAXIMUM FLOW	FMC-75-HYD-204 FMC-HYD-204	FMC-75-HYD-206 FMC-150-HYD-206	FMC-HYD-210 FMC-200-HYD-210	FMC-150-HYD-304 FMC-200-HYD-304	FMC-HYD-310 FMC-200-HYD-310	FMC-650-HYD
140	OPEN	1200	5	✓					
244	OPEN	1995	4.1	✓					
254	OPEN	1995	4.2	✓					
274	OPEN	1850	5.9	✓					
284	OPEN	1850	5.9	✓					
354	OPEN	1200	4.9	✓					
364	OPEN	2400	9	✓	✓	(9)			
384	OPEN	2400	9	✓	✓	(9)			
454	OPEN	2300	6	✓					
464	OPEN	2500	10.5		✓	(9)	✓		
484	OPEN	200	12		✓	(9)	✓		
544	OPEN	1600	15		✓	✓	✓		
574	OPEN	2300	9.5		✓	(9)	✓		
584	OPEN	2000	12.5		✓	✓	✓		
604	OPEN	2000	13		✓	✓	✓		
656	OPEN	2000	15		✓	✓	✓		
664	OPEN	1600	16		✓	✓	✓		
666	OPEN	1350	15		✓	✓	✓		
674	OPEN	2300	10.5		✓	(9)	✓		
684	OPEN	2500	10.5		✓	(9)	✓		
686	OPEN	1550	15		✓	✓	✓		
756	OPEN	1550	12		✓	(9)	✓		
766	OPEN	2000	13		✓	(9)	✓		
784	OPEN	2000	13		✓	(9)	✓		
826	OPEN	2000	12		✓	(9)	✓		
856	OPEN	2000	12		✓	(9)	✓		
884	OPEN	2000	13		✓	(9)	✓		
966	OPEN	2000	13		✓	(9)	✓		
1026	OPEN	2000	12		✓	(9)	✓		
1066	OPEN	2000	13		✓	(9)	✓		
1466	OPEN	2250	13		✓	(9)	✓		
1566	OPEN	2250	13		✓	(9)	✓		
1568	OPEN	2250	13		✓	(9)	✓		
3088	OPEN	2000	12		✓	(9)	✓		
3288	OPEN	2000	12		✓	(9)	✓		
3388	LS CLOSED	2650	18	✓	✓	✓	✓		✓
3488	LS CLOSED	2650	18	✓	✓	✓	✓		✓
3588	LS CLOSED	2650	18	✓	✓	✓	✓		✓
3688	LS CLOSED	2650	18	✓	✓	✓	✓		✓
3788	LS CLOSED	2650	18	✓	✓	✓	✓		✓
4166	OPEN	2000	18					✓	
4186	OPEN	2000	18					✓	
4366	OPEN	1800	16		✓	✓	✓		
4386	OPEN	2000	16		✓	✓	✓		
4568	OPEN	1800	16		✓	✓	✓		
5088	LS CLOSED	2650	26	✓	✓	✓	✓		✓
5288	LS CLOSED	2650	26	✓	✓	✓	✓		✓
5488	LS CLOSED	2650	26	✓	✓	✓	✓		✓
6388	LS CLOSED	2650	18	✓	✓	✓	✓		✓
6588	LS CLOSED	2650	18	✓	✓	✓	✓		✓
6788	LS CLOSED	2650	18	✓	✓	✓	✓		✓
7288	LS CLOSED	2650	26	✓	✓	✓	✓		✓

(9) Select model FMC-HYD-210 when pump pressures between 60 and 100 PSI are required.

(12) Hydraulic oil coolers are not standard on this tractor model. An oil cooler is required for continuous duty sprayer pump operation.



INTERNATIONAL HARVESTER

International Harvester									
MODEL	HYDRAULIC SYSTEM	MAXIMUM PRESSURE	MAXIMUM FLOW	FMC-75-HYD-204 FMC-HYD-204	FMC-75-HYD-206 FMC-150-HYD-206	FMC-HYD-210 FMC-200-HYD-210	FMC-150-HYD-304 FMC-200-HYD-304	FMC-HYD-310 FMC-200-HYD-310	FMC-650-HYD
7388	OPEN	2000	22					✓	
7488	LS CLOSED	2650	26	✓	✓	✓	✓		✓
7588	OPEN	2000	22					✓	
7788	OPEN	2250	22					✓	
1086(2)	OPEN	2450	13		✓	(9)	✓		
1086 SN U048000 UP	LS CLOSED	2650	18	✓	✓	✓	✓		✓
1486(2)	OPEN	2450	13		✓	(9)	✓		
1486 SN U026000 UP	LS CLOSED	2650	18	✓	✓	✓	✓		✓
1586(2)	OPEN	2450	13		✓	(9)	✓		
1586 SN U021000 UP	LS CLOSED	1650	18	✓	✓	✓	✓		✓
4586(2)	OPEN	2000	19					✓	
4786(2)	OPEN	2000	19					✓	
886(2)	OPEN	2250	13		✓	(9)	✓		
986(2)	OPEN	2250	12		✓	(9)	✓		
986 SN U024000 UP	LS CLOSED	2650	18	✓	✓	✓	✓		✓
HYDRO 100	OPEN	2000	13		✓	(9)	✓		
HYDRO 186(2)	OPEN	2250	12		✓	(9)	✓		
HYDRO 186 SN U012000 UP	LS CLOSED	2650	18	✓	✓	✓	✓		✓
HYDRO 70	OPEN	1350	15		✓	✓	✓		
HYDRO 84	OPEN	2000	13		✓	(9)	✓		
HYDRO 86	OPEN	1550	15		✓	✓	✓		



John Deere									
MODEL	HYDRAULIC SYSTEM	MAXIMUM PRESSURE	MAXIMUM FLOW	FMC-75-HYD-204 FMC-HYD-204	FMC-75-HYD-206 FMC-150-HYD-206	FMC-HYD-210 FMC-200-HYD-210	FMC-150-HYD-304 FMC-200-HYD-304	FMC-HYD-310 FMC-200-HYD-310	FMC-650-HYD
100F	OPEN	2828	10		✓	✓	✓		
1020	PC CLOSED	2000	6.5	✓	✓				
1050	OPEN	2000	5.8	✓					
1250	OPEN	2000	15.9		✓	✓	✓		
1450	OPEN	2250	15.2		✓	✓	✓		
1520	PC CLOSED	2000	6.5	✓	✓				
1530	PC CLOSED	2250	6.5/12	✓	✓				
1650	OPEN	2250	14.5		✓	✓	✓		
2020	PC CLOSED	2250	6.5/12	✓	✓				
2030	PC CLOSED	200	6.5	✓	✓				
2040 (SN TO 266749)	OPEN	2100	6.5	✓	✓				
2040 (SN TO 266750 UP)	PC CLOSED	1825	12	✓	✓		✓		
2150	PC CLOSED	2250	12.5	✓	✓		✓		
2155	PC CLOSED	2320	13	✓	✓		✓		
2240	PC CLOSED	2250	12	✓	✓		✓		
2255	PC CLOSED	2250	12	✓	✓		✓		
2350	PC CLOSED	2250	12.5/22	✓	✓		✓		✓
2355	PC CLOSED	2320	13/23	✓	✓		✓		✓
2440	PC CLOSED	2250	12/21.5	✓	✓		✓		✓
2520	PC CLOSED	2000	13	✓	✓		✓		✓
2550	PC CLOSED	2250	12.5/22	✓	✓		✓		✓
2555	PC CLOSED	2350	13/23	✓	✓		✓		✓
2630	PC CLOSED	2250	14-DEC	✓	✓		✓		✓
2640	PC CLOSED	2250	21-DEC	✓	✓		✓		✓
2750	PC CLOSED	2250	12.5/22	✓	✓		✓		✓
2755	PC CLOSED	2320	13/23	✓	✓		✓		✓
2840	PC CLOSED	2250	18	✓	✓		✓		✓
2855	PC CLOSED	2320	21	✓	✓		✓		✓
2940	PC CLOSED	2250	21.5	✓	✓		✓		✓
2950	PC CLOSED	2250	22	✓	✓		✓		✓
2955	PC CLOSED	2320	21	✓	✓		✓		✓
3020	PC CLOSED	2000	14	✓	✓		✓		✓
3055	PC CLOSED	2320	21	✓	✓		✓		✓
3120 CUT	OPEN	2500	8.6	✓	✓				
3150	PC CLOSED	2320	22	✓	✓		✓		✓
3155	PC CLOSED	2320	22	✓	✓		✓		✓
3255	PC CLOSED	2320	22	✓	✓		✓		✓
3320 CUT	OPEN	2500	8.6	✓	✓				
3520 CUT	OPEN	2500	8.6	✓	✓				
3720 CUT	OPEN	2500	8.6	✓	✓				
4000	PC CLOSED	2000	14	✓	✓		✓		
4005 CUT	OPEN	2262	8.5	✓	✓				
4020	PC CLOSED	2000	14	✓	✓		✓		
4030	PC CLOSED	2250	18	✓	✓		✓		
4040	PC CLOSED	2200	20	✓	✓		✓		✓
4050	PC CLOSED	2300	23	✓	✓		✓		✓
4055	PC CLOSED	2530	26.5	✓	✓		✓		✓
4100	OPEN	2418	5.1	✓					

(2) In the 86 Series tractors with open center systems the hydraulic system was not designed for continuous hydraulic demand at the remote valves. These tractors will require the Ace Pump IHK-86 kit for sprayer pump operation. Refer to Ace form 4013-A for complete installation instructions.

Reference the International Harvester Service Bulletin S-3436 dated March 31 1977.

(9) Select model FMC-HYD-210 when pumping pressures between 60 and 100 PSI are required.



John Deere									
MODEL	HYDRAULIC SYSTEM	MAXIMUM PRESSURE	MAXIMUM FLOW	FMC-75-HYD-204 FMC-HYD-204	FMC-75-HYD-206 FMC-150-HYD-206	FMC-HYD-210 FMC-200-HYD-210	FMC-150-HYD-304 FMC-200-HYD-304	FMC-HYD-310 FMC-200-HYD-310	FMC-650-HYD
4105 CUT	OPEN	2500	9.2		✓	✓			
4120 CUT	OPEN	2500	12		✓	✓	✓		
4200	OPEN	2125	7.3	✓	✓				
4230	PC CLOSED	2250	18	✓	✓		✓		✓
4240	PC CLOSED	2200	20	✓	✓		✓		✓
4250	PC CLOSED	2300	23	✓	✓		✓		✓
4250 HIGH CROP	PC CLOSED	2320	26	✓	✓		✓		✓
4255	PC CLOSED	2530	26.5	✓	✓		✓		✓
4300	OPEN	2500	8.3	✓	✓				
4320 CUT	OPEN	2500	12		✓	✓	✓		
4320 ROW CROP	PC CLOSED	2000	14	✓	✓		✓		✓
4400	OPEN	2500	8.3	✓	✓				
4420	PC CLOSED	2530	18	✓	✓		✓		✓
4430	PC CLOSED	2250	20	✓	✓		✓		✓
4440	PC CLOSED	2200	20	✓	✓		✓		✓
4450	PC CLOSED	2300	23	✓	✓		✓		✓
4455	PC CLOSED	2530	26.5	✓	✓		✓		✓
4500	OPEN	2500	9.9		✓	✓			
4520 CUT	OPEN	2500	12		✓	✓	✓		
4520 ROW CROP	PC CLOSED	2000	15	✓	✓		✓		✓
4555	PC CLOSED	2530	30	✓	✓		✓		✓
4560	PC CLOSED	2320	26.5	✓	✓		✓		✓
4600	OPEN	2500	10.3		✓	✓	✓		
4620	PC CLOSED	2000	15	✓	✓		✓		✓
4630	PC CLOSED	2250	18	✓	✓		✓		✓
4640	PC CLOSED	2200	20	✓	✓		✓		✓
4650	PC CLOSED	2300	26.5	✓	✓		✓		✓
4720 CUT	OPEN	2500	12		✓	✓	✓		
4755	PC CLOSED	2530	30	✓	✓		✓		✓
4760	PC CLOSED	2530	30	✓	✓		✓		✓
4840	PC CLOSED	2200	20	✓	✓		✓		✓
4850	PC CLOSED	2300	26.5	✓	✓		✓		✓
4955	PC CLOSED	2530	30	✓	✓		✓		✓
4960	PC CLOSED	2530	30	✓	✓		✓		✓
5020	PC CLOSED	2000	15	✓	✓		✓		✓
5045D	OPEN	2828	11.4		✓	✓	✓		✓
5045E	OPEN	2828	11.4		✓	✓	✓		✓
5055D	OPEN	2828	11.4		✓	✓	✓		✓
5055E	OPEN	2828	11.4		✓	✓	✓		✓
5065E	OPEN	2828	11.4		✓	✓	✓		✓
5065M	OPEN	2828	14.6		✓	✓	✓		✓
5075E	OPEN	2828	11.4		✓	✓	✓		✓
5075M	OPEN	2828	14.6		✓	✓	✓		✓
5083E	OPEN	2830	15.9		✓	✓	✓		✓
5083EN	OPEN	2857	18.4			✓	✓		
5085M	OPEN	2828	18.4			✓	✓		
5093E	OPEN	2830	15.9		✓	✓	✓		
5093EN	OPEN	2857	18.4			✓	✓		
5095M	OPEN	2828	18.4			✓	✓		
5095MH	OPEN	2828	18.4			✓	✓		
5101E	OPEN	2830	15.9		✓	✓	✓		
5101EN	OPEN	2857	18.4			✓	✓		
5103	OPEN	2828	11.4		✓	✓	✓		
5105	OPEN	2855	11		✓	✓	✓		
5105M	OPEN	2828	18.4			✓	✓		
5105ML	OPEN	2828	18.4			✓	✓		
5200	OPEN	2750	11.4		✓	✓	✓		
5203	OPEN	2828	11.4		✓	✓	✓		
5205	OPEN	2855	11		✓	✓	✓		
5210	OPEN	2750	11.4		✓	✓	✓		
5220	OPEN	2755	11.4		✓	✓	✓		
5225	OPEN	2828	13.5		✓	✓	✓		
5300	OPEN	2750	11.4		✓	✓	✓		
5303	OPEN	2828	11.4		✓	✓	✓		
5310	OPEN	2750	11.4		✓	✓	✓		
5320	OPEN	2755	18.2			✓	✓		
5320N	OPEN	2755	18.2			✓	✓		
5325	OPEN	2828	13.5		✓	✓	✓		
5325N	OPEN	2828	13.5		✓	✓	✓		
5400	OPEN	2750	11.4		✓	✓	✓		
5403	OPEN	2828	11.4		✓	✓	✓		
5410	OPEN	2855	15.9		✓	✓	✓		
5420	OPEN	2755	22.5					✓	
5420N	OPEN	2755	22.5					✓	
5425	OPEN	2828	25					✓	
5425N	OPEN	2828	18.4					✓	
5500	OPEN	2750	11.4		✓	✓	✓		
5510	OPEN	2855	15.9		✓	✓	✓		
5520	OPEN	2755	15.9		✓	✓	✓		
5520N	OPEN	2755	15.9		✓	✓	✓		



John Deere									
MODEL	HYDRAULIC SYSTEM	MAXIMUM PRESSURE	MAXIMUM FLOW	FMC-75-HYD-204 FMC-HYD-204	FMC-75-HYD-206 FMC-150-HYD-206	FMC-HYD-210 FMC-200-HYD-210	FMC-150-HYD-304 FMC-200-HYD-304	FMC-HYD-310 FMC-200-HYD-310	FMC-650-HYD
5525	OPEN	2828	18.4						
5525N	OPEN	2828	18.4					✓	
5603	OPEN	2828	15.9		✓	✓	✓	✓	
5625	OPEN	2828	18.4					✓	
6030	PC CLOSED	2000	15	✓	✓		✓		✓
6100D	OPEN	2830	17.6			✓	✓		
6110	LS CLOSED	2900	18/25	✓	✓	✓	✓		✓
6110L	LS CLOSED	2900	18/25	✓	✓	✓	✓		✓
6115D	OPEN	2830	17.6			✓	✓		
6120	LS CLOSED	2900	18/25	✓	✓	✓	✓		✓
6120L	LS CLOSED	2900	25	✓	✓	✓	✓		✓
6130D	OPEN	2830	17.6			✓	✓		
6140D	OPEN	2830	17.6			✓	✓		
6200	LS CLOSED	2900	16/25	✓	✓	✓	✓		✓
6210	LS CLOSED	2900	18/25	✓	✓	✓	✓		✓
6210L	LS CLOSED	2900	18/25	✓	✓	✓	✓		✓
6215	LS CLOSED	2900	17.5	✓	✓	✓	✓		✓
6220	LS CLOSED	2900	18/25	✓	✓	✓	✓		✓
6220L	LS CLOSED	2900	25	✓	✓	✓	✓		✓
6230	LS CLOSED	2900	29	✓	✓	✓	✓		✓
6300	LS CLOSED	2900	16/25	✓	✓	✓	✓		✓
6310	LS CLOSED	2900	18/25	✓	✓	✓	✓		✓
6310L	LS CLOSED	2900	18/25	✓	✓	✓	✓		✓
6320	LS CLOSED	2900	18/25	✓	✓	✓	✓		✓
6320L	LS CLOSED	2900	25	✓	✓	✓	✓		✓
6330	LS CLOSED	2900	29	✓	✓	✓	✓		✓
6400	LS CLOSED	2900	16/25	✓	✓	✓	✓		✓
6403	OPEN	2750	12		✓	✓	✓		
6405	LS CLOSED	2500	17.5	✓	✓	✓	✓		✓
6410	LS CLOSED	2900	18/25	✓	✓	✓	✓		✓
6410L	LS CLOSED	2900	18/25	✓	✓	✓	✓		✓
6415	LS CLOSED	2900	17.5	✓	✓	✓	✓		✓
6420	LS CLOSED	2900	18/25	✓	✓	✓	✓		✓
6420L	LS CLOSED	2900	25	✓	✓	✓	✓		✓
6430	LS CLOSED	2900	29	✓	✓	✓	✓		✓
6500	PC CLOSED	2900	18.8	✓	✓	✓	✓		✓
6510	LS CLOSED	2900	30.2	✓	✓	✓	✓		✓
6510L	LS CLOSED	2900	30.2	✓	✓	✓	✓		✓
6520L	LS CLOSED	2900	25	✓	✓	✓	✓		✓
6603	OPEN	2750	15		✓	✓	✓		
6605	LS CLOSED	2500	17.5	✓	✓	✓	✓		✓
6615	LS CLOSED	2900	17.5	✓	✓	✓	✓		✓
6715	LS CLOSED	2900	17.5	✓	✓	✓	✓		✓
7010	LS CLOSED	2900	35	✓	✓	✓	✓		✓
7020	PC CLOSED	2000	14	✓	✓	✓	✓		✓
7130	LS CLOSED	2900	21.1	✓	✓	✓	✓		✓
7130 PREMIUM	LS CLOSED	2900	29	✓	✓	✓	✓		✓
7200	LS CLOSED	2900	25	✓	✓	✓	✓		✓
7210	LS CLOSED	2900	25	✓	✓	✓	✓		✓
7220	LS CLOSED	2900	26.8	✓	✓	✓	✓		✓
7230	LS CLOSED	2900	21.1	✓	✓	✓	✓		✓
7230 PREMIUM	LS CLOSED	2900	29	✓	✓	✓	✓		✓
7320	LS CLOSED	2900	26.8	✓	✓	✓	✓		✓
7330	LS CLOSED	2900	21.1	✓	✓	✓	✓		✓
7330 PREMIUM	LS CLOSED	2900	29	✓	✓	✓	✓		✓
7400	LS CLOSED	2900	25	✓	✓	✓	✓		✓
7405	LS CLOSED	2750	17.5	✓	✓	✓	✓		✓
7410	LS CLOSED	2900	25	✓	✓	✓	✓		✓
7420	LS CLOSED	2900	26.8	✓	✓	✓	✓		✓
7430 PREMIUM	LS CLOSED	2900	29	✓	✓	✓	✓		✓
7510	LS CLOSED	2900	26.2	✓	✓	✓	✓		✓
7520	LS CLOSED	2900	26.8	✓	✓	✓	✓		✓
7520 4WD	PC CLOSED	2000	14	✓	✓	✓	✓		✓
7530 PREMIUM	LS CLOSED	2900	29	✓	✓	✓	✓		✓
76F	OPEN	2828	10		✓	✓	✓		
7600	LS CLOSED	2900	25	✓	✓	✓	✓		✓
7610	LS CLOSED	2900	25	✓	✓	✓	✓		✓
7630	LS CLOSED	2900	32/45	✓	✓	✓	✓		✓
7700	LS CLOSED	2900	25	✓	✓	✓	✓		✓
7710	LS CLOSED	2900	25	✓	✓	✓	✓		✓
7730	LS CLOSED	2900	32/45	✓	✓	✓	✓		✓
7800	LS CLOSED	2900	25	✓	✓	✓	✓		✓
7810	LS CLOSED	2900	25	✓	✓	✓	✓		✓
7820	LS CLOSED	2900	32	✓	✓	✓	✓		✓
7830	LS CLOSED	2900	32/45	✓	✓	✓	✓		✓
7920	LS CLOSED	2900	32	✓	✓	✓	✓		✓
7930	LS CLOSED	2900	32/45	✓	✓	✓	✓		✓
8100	LS CLOSED	2900	30	✓	✓	✓	✓		✓
8100T	LS CLOSED	2900	30	✓	✓	✓	✓		✓
8110	LS CLOSED	2900	33.5	✓	✓	✓	✓		✓



John Deere									
MODEL	HYDRAULIC SYSTEM	MAXIMUM PRESSURE	MAXIMUM FLOW	FMC-75-HYD-204 FMC-HYD-204	FMC-75-HYD-206 FMC-150-HYD-206	FMC-HYD-210 FMC-200-HYD-210	FMC-150-HYD-304 FMC-200-HYD-304	FMC-HYD-310 FMC-200-HYD-310	FMC-650-HYD
8110T	LS CLOSED	2900	33.5	✓	✓	✓	✓		✓
8120	LS CLOSED	2900	33.5/42.5	✓	✓	✓	✓		✓
8120T	LS CLOSED	2900	33.5/42.5	✓	✓	✓	✓		✓
8130	LS CLOSED	2900	44/60	✓	✓	✓	✓		✓
8200	LS CLOSED	2900	30	✓	✓	✓	✓		✓
8200T	LS CLOSED	2900	30	✓	✓	✓	✓		✓
8210	LS CLOSED	2900	33.5	✓	✓	✓	✓		✓
8210T	LS CLOSED	2900	33.5	✓	✓	✓	✓		✓
8220	LS CLOSED	2900	33.5/42.5	✓	✓	✓	✓		✓
8220T	LS CLOSED	2900	33.5/42.5	✓	✓	✓	✓		✓
8225R	LS CLOSED	2900	35	✓	✓	✓	✓		✓
8230	LS CLOSED	2900	44/60	✓	✓	✓	✓		✓
8230T	LS CLOSED	2900	33.5/42.5	✓	✓	✓	✓		✓
8245R	LS CLOSED	2900	35	✓	✓	✓	✓		✓
8270R	LS CLOSED	2900	35	✓	✓	✓	✓		✓
8295R	LS CLOSED	2900	35	✓	✓	✓	✓		✓
8295RT	LS CLOSED	2900	35	✓	✓	✓	✓		✓
8300	LS CLOSED	2900	30	✓	✓	✓	✓		✓
8300T	LS CLOSED	2900	30	✓	✓	✓	✓		✓
8310	LS CLOSED	2900	33.5	✓	✓	✓	✓		✓
8310T	LS CLOSED	2900	33.5	✓	✓	✓	✓		✓
8320	LS CLOSED	2900	33.5/42.5	✓	✓	✓	✓		✓
8320R	LS CLOSED	2900	35	✓	✓	✓	✓		✓
8320RT	LS CLOSED	2900	35	✓	✓	✓	✓		✓
8320T	LS CLOSED	2900	33.5/42.5	✓	✓	✓	✓		✓
8330	LS CLOSED	2900	44/60	✓	✓	✓	✓		✓
8330T	LS CLOSED	2900	33.5/42.5	✓	✓	✓	✓		✓
8345R	LS CLOSED	2900	35	✓	✓	✓	✓		✓
8345RT	LS CLOSED	2900	35	✓	✓	✓	✓		✓
8400	LS CLOSED	2900	30	✓	✓	✓	✓		✓
8400T	LS CLOSED	2900	30	✓	✓	✓	✓		✓
8410	LS CLOSED	2900	33.5	✓	✓	✓	✓		✓
8410T	LS CLOSED	2900	33.5	✓	✓	✓	✓		✓
8420	LS CLOSED	2900	33.5/42.5	✓	✓	✓	✓		✓
8420T	LS CLOSED	2900	33.5/42.5	✓	✓	✓	✓		✓
8430 4WD	PC CLOSED	2250	18	✓	✓	✓	✓		✓
8430 ROW CROP	LS CLOSED	2900	44/60	✓	✓	✓	✓		✓
8430T	LS CLOSED	2900	33.5/42.5	✓	✓	✓	✓		✓
8440	PC CLOSED	2250	18	✓	✓	✓	✓		✓
8450	PC CLOSED	2250	28.5	✓	✓	✓	✓		✓
85F	OPEN	2828	10		✓	✓	✓		✓
8520	LS CLOSED	2900	33.5/42.5	✓	✓	✓	✓		✓
8520T	LS CLOSED	2900	33.5/42.5	✓	✓	✓	✓		✓
8530	LS CLOSED	2900	44/60	✓	✓	✓	✓		✓
8560	PC CLOSED	2530	33	✓	✓	✓	✓		✓
8570	PC CLOSED	2530	33	✓	✓	✓	✓		✓
8630	PC CLOSED	2250	18	✓	✓	✓	✓		✓
8640	PC CLOSED	2250	18	✓	✓	✓	✓		✓
8650	PC CLOSED	2250	28.5	✓	✓	✓	✓		✓
8760	PC CLOSED	2530	33.3	✓	✓	✓	✓		✓
8770	PC CLOSED	2530	33.3	✓	✓	✓	✓		✓
8850	PC CLOSED	2250	44.5	✓	✓	✓	✓		✓
8870	PC CLOSED	2530	33	✓	✓	✓	✓		✓
8960	PC CLOSED	2530	33	✓	✓	✓	✓		✓
8970	PC CLOSED	2530	33	✓	✓	✓	✓		✓
9100	LS CLOSED	2900	33	✓	✓	✓	✓		✓
9120	LS CLOSED	2900	44/48	✓	✓	✓	✓		✓
9200	LS CLOSED	2900	33	✓	✓	✓	✓		✓
9220	LS CLOSED	2900	44/48	✓	✓	✓	✓		✓
9220 AG HI FLOW	LS CLOSED	2900	78	✓	✓	✓	✓		✓
9230	LS CLOSED	2900	48/78	✓	✓	✓	✓		✓
9300	LS CLOSED	2900	33	✓	✓	✓	✓		✓
9300T	LS CLOSED	2900	35	✓	✓	✓	✓		✓
9320	LS CLOSED	2900	44/48	✓	✓	✓	✓		✓
9320 AG HI FLOW	LS CLOSED	2900	78	✓	✓	✓	✓		✓
9320T	LS CLOSED	2900	44/48	✓	✓	✓	✓		✓
9330	LS CLOSED	2900	48/78	✓	✓	✓	✓		✓
9400	LS CLOSED	2900	33	✓	✓	✓	✓		✓
9400T	LS CLOSED	2900	35	✓	✓	✓	✓		✓
9420	LS CLOSED	2900	44/48	✓	✓	✓	✓		✓
9420 AG HI FLOW	LS CLOSED	2900	78	✓	✓	✓	✓		✓
9420T	LS CLOSED	2900	44/48	✓	✓	✓	✓		✓
9430	LS CLOSED	2900	48/78	✓	✓	✓	✓		✓
9430T	LS CLOSED	2900	48	✓	✓	✓	✓		✓
9520	LS CLOSED	2900	48	✓	✓	✓	✓		✓
9520 AG HI FLOW	LS CLOSED	2900	78	✓	✓	✓	✓		✓
9520T	LS CLOSED	2900	48	✓	✓	✓	✓		✓
9530	LS CLOSED	2900	48/78	✓	✓	✓	✓		✓
9530T	LS CLOSED	2900	48	✓	✓	✓	✓		✓
9630	LS CLOSED	2900	48/78	✓	✓	✓	✓		✓
9630T	LS CLOSED	2900	48	✓	✓	✓	✓		✓

Kubota

Kubota									
MODEL	HYDRAULIC SYSTEM	MAXIMUM PRESSURE	MAXIMUM FLOW	FMC-75-HYD-204 FMC-HYD-204	FMC-75-HYD-206 FMC-150-HYD-206	FMC-HYD-210 FMC-200-HYD-210	FMC-150-HYD-304 FMC-200-HYD-304	FMC-HYD-310 FMC-200-HYD-310	FMC-650-HYD
M100X	OPEN	NA	18.1			✓	✓		
M105	OPEN	NA	17.2			✓	✓		
M105SDS	OPEN	NA	17.2			✓	✓		
M105SDSC	OPEN	NA	17.2			✓	✓		
M105SDSF	OPEN	NA	17.2			✓	✓		
M105SH	OPEN	NA	17.2			✓	✓		
M105SHC	OPEN	NA	17.2			✓	✓		
M105SHD	OPEN	NA	17.2			✓	✓		
M105SHDC	OPEN	NA	17.2			✓	✓		
M105X	OPEN	NA	18.1			✓	✓		
M108SDS	OPEN	NA	17.2			✓	✓		
M108SDSC	OPEN	NA	17.2			✓	✓		
M108SDSF	OPEN	NA	17.2			✓	✓		
M108SDSL	OPEN	NA	17.2			✓	✓		
M108SH	OPEN	NA	17.2			✓	✓		
M108SH	OPEN	NA	17.2			✓	✓		
M108SHC	OPEN	NA	17.2			✓	✓		
M108SHD	OPEN	NA	17.2			✓	✓		
M108SHDC	OPEN	NA	17.2			✓	✓		
M108X	OPEN	NA	18.1			✓	✓		
M110X	OPEN	NA	18.1			✓	✓		
M125X	OPEN	NA	20			✓	✓		
M126X	OPEN	NA	20.4			✓	✓		
M126X POWER KRAWLER	OPEN	NA	20.4			✓	✓		
M135X	OPEN	NA	20.4			✓	✓		
M4800SU	OPEN	NA	17.1			✓	✓		
M4900	OPEN	NA	17.1			✓	✓		
M5040	OPEN	NA	11		✓	✓	✓		
M5640SU	OPEN	NA	11	✓	✓	✓	✓		✓
M5640SUD	OPEN	NA	11	✓	✓	✓	✓		✓
M5700	OPEN	NA	11.1		✓	✓	✓		
M6040	OPEN	NA	11		✓	✓	✓		
M6800	OPEN	NA	17.1			✓	✓		
M7040	OPEN	NA	11		✓	✓	✓		
M7040SU	OPEN	NA	11	✓	✓	✓	✓		✓
M7040SUD	OPEN	NA	11		✓	✓	✓		✓
M8200	OPEN	NA	11.1		✓	✓	✓		✓
M8540	OPEN	NA	17		✓	✓	✓		✓
M8540HDNBPC CLOSED	OPEN	NA	11	✓	✓	✓	✓		✓
M9000	OPEN	NA	17			✓	✓		
M9000 LOW PROFILE	OPEN	NA	17			✓	✓		
M9000 MUDDER	OPEN	NA	17			✓	✓		
M95	OPEN	NA	17.2			✓	✓		
M9540	OPEN	NA	17			✓	✓		
M95SDSC	OPEN	NA	17.2			✓	✓		
M95SDSF	OPEN	NA	17.2			✓	✓		
M95SH	OPEN	NA	17.2			✓	✓		
M95X	OPEN	NA	18.1			✓	✓		
M96SDS	OPEN	NA	17.2			✓	✓		
M96SDSC	OPEN	NA	17.2			✓	✓		
M96SH	OPEN	NA	17.2			✓	✓		
MX4700	OPEN	NA	9.5	✓	✓	✓	✓		
MX5000	OPEN	NA	14		✓	✓	✓		✓
MX5100	OPEN	NA	9.5		✓	✓	✓		
RTV900	OPEN	NA	5	✓					

Massey Ferguson

Massey Ferguson									
MODEL	HYDRAULIC SYSTEM	MAXIMUM PRESSURE	MAXIMUM FLOW	FMC-75-HYD-204 FMC-HYD-204	FMC-75-HYD-206 FMC-150-HYD-206	FMC-HYD-210 FMC-200-HYD-210	FMC-150-HYD-304 FMC-200-HYD-304	FMC-HYD-310 FMC-200-HYD-310	FMC-650-HYD
MF135	OPEN	2600	8	✓	✓				
MF150	OPEN	2600	8	✓	✓				
MF154	OPEN	2418	9.2	✓	✓	(9)			
MF165	OPEN	2600	8	✓	✓				
MF174	OPEN	2418	9.8	✓	✓	(9)	✓		
MF175	OPEN	2600	8	✓	✓				
MF180	OPEN	2600	8	✓	✓				
MF184-4	OPEN	2418	7.4	✓	✓				
MF194	OPEN	2418	9.4	✓	✓	(9)			
MF203	OPEN	2600	8	✓	✓				
MF230	OPEN	2600	10		✓	(9)	✓		
MF231	OPEN	2540	4	✓					
MF231S	OPEN	2540	4	✓					
MF235	OPEN	3000	10		✓	(9)	✓		
MF240	OPEN	3000	4	✓					
MF240S	OPEN	3000	4	✓					

Massey Ferguson General Notes:

A) The hydraulic systems on Massey Ferguson tractors may not have been intended for the continuous duty operation of a hydraulic driven sprayer pump. Auxiliary oil cooling may be necessary. Please consult Massey Ferguson before installing a hydraulic motor driven sprayer pump.

B) On Massey tractors with two hydraulic pumps, shut off the combining valve located on the right side of the tractor so the remote ports get only Open Center flow.

(9) Select model FMC-HYD-210 when pump pressures between 60 and 100 PSI are required.

Massey Ferguson									
MODEL	HYDRAULIC SYSTEM	MAXIMUM PRESSURE	MAXIMUM FLOW	FMC-75-HYD-204 FMC-HYD-204	FMC-75-HYD-206 FMC-150-HYD-206	FMC-HYD-210 FMC-200-HYD-210	FMC-150-HYD-304 FMC-200-HYD-304	FMC-HYD-310 FMC-200-HYD-310	FMC-650-HYD
MF241	OPEN	2550	4	✓					
MF243	OPEN	2500	9.5		✓	(9)	✓		
MF245	OPEN	3000	10		✓	(9)	✓		
MF250	OPEN	3000	4	✓					
MF251XE	OPEN	2550	9.5		✓	(9)	✓		
MF254	OPEN	2600	10		✓	(9)	✓		
MF255	OPEN	2600	10		✓	(9)	✓		
MF261	OPEN	3100	4.4	✓					
MF263	OPEN	2500	9.5		✓	(9)	✓		
MF271	OPEN	2450	10.3		✓	(9)	✓		
MF271X	OPEN	2450	10.3		✓	(9)	✓		
MF271XE	OPEN	2450	10.3		✓	(9)	✓		
MF274	OPEN	2418	9.8		✓	(9)	✓		
MF275	OPEN	3000	10		✓	(9)	✓		
MF281	OPEN	2450	10.3		✓	(9)	✓		
MF281X	OPEN	2450	10.3		✓	(9)	✓		
MF281XE	OPEN	2450	10.3		✓	(9)	✓		
MF283	PC CLOSED	3000	10	✓	✓		✓		
MF285	OPEN	3000	10		✓	(9)	✓		
MF290	(4)	2400	9.5	✓	✓		✓		
MF294	OPEN	2418	9.4		✓	✓	✓		
MF298	OPEN	2400	9.5		✓	✓	✓		
MF360	(4)	3000	9.5/13.5	✓	✓		✓		
MF362	(4)	3000	9.5/13.5	✓	✓		✓		
MF374	OPEN	2500	11.2		✓	✓	✓		
MF375	(4)	3000	9.5/13.5	✓	✓		✓		
MF383	(4)	3000	9.5/13.5	✓	✓		✓		
MF384	OPEN	2500	11.2		✓	✓	✓		
MF390	(4)	3000	9.5/13.5	✓	✓		✓		
MF394	OPEN	2500	11.2		✓	✓	✓		
MF398	(4)	3000	9.5/13.5	✓	✓		✓		
MF399	(4)	3000	9.5/13.5	✓	✓		✓		
MF431	OPEN	2500	8.4	✓	✓		✓		
MF451	OPEN(1)	2550	9.5		✓	✓	✓		
MF461	OPEN	2500	8.4	✓	✓		✓		
MF471	OPEN(1)	2450	10.3		✓	✓	✓		
MF481	OPEN(1)	2450	10.3		✓	✓	✓		
MF491	OPEN	2500	13		✓	✓	✓		
MF492	OPEN	2500	13		✓	✓	✓		
MF538	OPEN	3045	14.5		✓	✓	✓		✓
MF573	OPEN	3045	14.5		✓	✓	✓		✓
MF593	OPEN	3045	17		✓	✓	✓		
MF596	OPEN	3045	17		✓	✓	✓		
MF670	OPEN	3000	9.5/13.5	✓	✓		✓		
MF690	OPEN	3000	9.5/13.5	✓	✓		✓		
MF698	OPEN	3000	9.5/13.5	✓	✓		✓		
MF699	OPEN	3000	9.5/13.5	✓	✓		✓		
MF1085	OPEN	2600	10		✓	(9)	✓		
MF1100	PC CLOSED	2150	20	✓	✓		✓		
MF1105	PC CLOSED	2150	20	✓	✓		✓		
MF1130	PC CLOSED	2150	20	✓	✓		✓		
MF1135	PC CLOSED	2150	20	✓	✓		✓		
MF1150	PC CLOSED	2150	20	✓	✓		✓		
MF1155	PC CLOSED	2150	20	✓	✓		✓		
MF1500	OPEN	2400	20					✓	
MF1505	OPEN	2400	20					✓	
MF1800	OPEN	2400	20					✓	
MF1805	OPEN	2400	20					✓	
MF2605	OPEN	3100	9.8		✓	✓	✓		
MF2615	OPEN	3100	11		✓	✓	✓		✓
MF2625	OPEN	3100	11		✓	✓	✓		✓
MF2675	OPEN	2250	16		✓	✓	✓		
MF2705	OPEN	2250	16		✓	✓	✓		
MF2745	OPEN	2250	16		✓	✓	✓		
MF2775	OPEN	2250	16		✓	✓	✓		
MF2805(5)	OPEN	2250	16		✓	✓	✓		
MF3050	OPEN	2610	13.2		✓	✓	✓		
MF3060	OPEN	2610	13.2		✓	✓	✓		
MF3070	OPEN	2610	13.2		✓	✓	✓		
MF3075	OPEN	2610	13.2		✓	✓	✓		
MF3090	OPEN	2610	13.2		✓	✓	✓		
MF3120	OPEN	2610	13.2		✓	✓	✓		
MF3140	OPEN	2610	13.2		✓	✓	✓		
MF3505	OPEN	2538	14		✓	✓	✓		
MF3525	OPEN	2538	14		✓	✓	✓		
MF3545	OPEN	2538	13.2		✓	✓	✓		

See Massey Ferguson General Notes page 16.

- (1) An auxiliary oil cooler may be required for continuous duty sprayer pump operation.
- (4) Consult Massey Ferguson to determine the type hydraulic system and the method for regulating the hydraulic oil to the Ace Pump.
- (5) Use left hand remote ports to connect hydraulic driven pump. Right hand spool has priority over 3 point hitch.
- (9) Select model FMC-HYD-210 when pump pressures between 60 and 100 PSI are required.

Massey Ferguson

Massey Ferguson									
MODEL	HYDRAULIC SYSTEM	MAXIMUM PRESSURE	MAXIMUM FLOW	FMC-75-HYD-204 FMC-HYD-204	FMC-75-HYD-206 FMC-150-HYD-206	FMC-HYD-210 FMC-200-HYD-210	FMC-150-HYD-304 FMC-200-HYD-304	FMC-HYD-310 FMC-200-HYD-310	FMC-650-HYD
MF3625	OPEN	2755	15.8		✓	✓	✓		
MF3630	OPEN	2538	14.4		✓	✓	✓		
MF3635	OPEN	2755	15.8		✓	✓	✓		
MF3645	OPEN	2418	9.5	✓	✓	✓	✓		
MF3645	OPEN	2755	15.8		✓	✓	✓		
MF3650	OPEN	2538	14.4		✓	✓	✓		
MF3660	OPEN	2538	14.4		✓	✓	✓		
MF3670	OPEN	2538	14.4		✓	✓	✓		
MF3680	OPEN	2538	14.4		✓	✓	✓		
MF3690	OPEN	2538	14.4		✓	✓	✓		
MF3745	OPEN	2418	9.5	✓	✓	✓	✓		
MF3845	OPEN	2418	9.5	✓	✓	✓	✓		
MF3945	OPEN	2418	9.5	✓	✓	✓	✓		
MF4225	OPEN	3046	10		✓	✓	✓		
MF4235	OPEN	3046	10/17.4		✓	✓	✓		
MF4243	OPEN	3046	10		✓	✓	✓		
MF4245	OPEN	3046	10/17.4		✓	✓	✓		
MF4253	OPEN	3046	10		✓	✓	✓		
MF4255	OPEN	3046	10/17.4		✓	✓	✓		
MF4263	OPEN	3046	10		✓	✓	✓		
MF4270	OPEN	3046	10/17.4		✓	✓	✓		
MF4800	OPEN	2250	20					✓	
MF4840	OPEN	2250	20					✓	
MF4880	OPEN	2250	20					✓	
MF4900	OPEN	2250	20					✓	
MF5425 (15 GPM)	OPEN(8)	2900	15		✓	✓	✓		
MF5425 (26 GPM)	OPEN(8)	2900	26		✓	✓	✓		
MF5425 CAB	LS CLOSED(8)	2900	29	✓	✓	✓	✓		✓
MF5435	OPEN	2900	15/26					✓	
MF5445 (15 GPM)	OPEN(8)	2900	15		✓	✓	✓		
MF5445 (26 GPM)	OPEN(8)	2900	26		✓	✓	✓		
MF5445 CAB	LS CLOSED(8)	2900	29	✓	✓	✓	✓		✓
MF5455 (15 GPM)	OPEN(8)	2900	15		✓	✓	✓		
MF5455 (26 GPM)	OPEN(8)	2900	26		✓	✓	✓		
MF5455 CAB	LS CLOSED(8)	2900	29	✓	✓	✓	✓		✓
MF5460 (26 GPM)	OPEN(8)	2900	26		✓	✓	✓	✓	
MF5460 (15 GPM)	OPEN(8)	2900	15		✓	✓	✓		
MF5460 CAB	LS CLOSED(8)	2900	29	✓	✓	✓	✓		✓
MF5465 (15 GPM)	OPEN(8)	2900	15		✓	✓	✓		
MF5465 (26 GPM)	OPEN(8)	2900	26		✓	✓	✓	✓	
MF5465 CAB	LS CLOSED(8)	2900	29		✓	✓	✓		✓
MF5470 (15 GPM)	OPEN(8)	2900	15		✓	✓	✓		
MF5470 (26 GPM)	OPEN(8)	2900	26		✓	✓	✓	✓	
MF5470 CAB	LS CLOSED(8)	2900	29	✓	✓	✓	✓		✓
MF5475 (15 GPM)	OPEN(8)	2900	15		✓	✓	✓		
MF5475 (26 GPM)	OPEN(8)	2900	26		✓	✓	✓		
MF5475 CAB	LS CLOSED(8)	2900	29	✓	✓	✓	✓		✓
MF5480 (15 GPM)	OPEN(8)	2900	15		✓	✓	✓		
MF5480 (26 GPM)	OPEN(8)	2900	26		✓	✓	✓	✓	
MF5480 CAB	LS CLOSED(8)	2900	29	✓	✓	✓	✓		✓
MF6150	OPEN	2610	14.9		✓	✓	✓		
MF6170	OPEN	2610	14.9		✓	✓	✓		
MF6180	OPEN	2610	14.9		✓	✓	✓		
MF6245 LS CLOSED	LS CLOSED	2900	23.8	✓	✓	✓	✓		✓
MF6245 OPEN	OPEN	2900	14.9		✓	✓	✓		
MF6255 LS CLOSED	LS CLOSED	2900	23.8	✓	✓	✓	✓		✓
MF6255 OPEN	OPEN	2900	14.9		✓	✓	✓		
MF6265 LS CLOSED	LS CLOSED	2900	23.8	✓	✓	✓	✓		✓
MF6265 OPEN	OPEN	2900	14.9		✓	✓	✓		
MF6270 LS CLOSED	LS CLOSED	2900	23.8	✓	✓	✓	✓		✓
MF6270 OPEN	OPEN	2900	14.9		✓	✓	✓		
MF6280 LS CLOSED	LS CLOSED	2900	23.8	✓	✓	✓	✓		✓
MF6280 OPEN	OPEN	2900	14.9		✓	✓	✓		
MF6290 LS CLOSED	LS CLOSED	2900	23.8	✓	✓	✓	✓		✓
MF6290 OPEN	OPEN	2900	14.9		✓	✓	✓		
MF6465 LS CLOSED	LS CLOSED(8)	2900	26/29	✓	✓	✓	✓		✓
MF6475 LS CLOSED	LS CLOSED	2900	26/29	✓	✓	✓	✓		✓
MF6480 LS CLOSED	LS CLOSED	2900	26/29	✓	✓	✓	✓		✓
MF6485	LS CLOSED	2900	26/29	✓	✓	✓	✓		✓
MF6490	LS CLOSED	2900	26/29	✓	✓	✓	✓		✓
MF6495	LS CLOSED	2900	26/29	✓	✓	✓	✓		✓
MF6497	LS CLOSED	2900	29	✓	✓	✓	✓		✓
MF6499	LS CLOSED	2900	29	✓	✓	✓	✓		✓
MF7465	LS CLOSED	2900	29	✓	✓	✓	✓		✓
MF7475	LS CLOSED	2900	29	✓	✓	✓	✓		✓
MF7480	LS CLOSED	2900	29	✓	✓	✓	✓		✓

See Massey Ferguson General Notes page 16.

(8) This model has multiple hydraulic systems available. Verify system type for proper pump selection and setup.

Massey Ferguson									
MODEL	HYDRAULIC SYSTEM	MAXIMUM PRESSURE	MAXIMUM FLOW	FMC-75-HYD-204 FMC-HYD-204	FMC-75-HYD-206 FMC-150-HYD-206	FMC-HYD-210 FMC-200-HYD-210	FMC-150-HYD-304 FMC-200-HYD-304	FMC-HYD-310 FMC-200-HYD-310	FMC-650-HYD
MF7485	LS CLOSED	2900	29	✓	✓	✓	✓		✓
MF7490	LS CLOSED	2900	29	✓	✓	✓	✓		✓
MF7495	LS CLOSED	2900	29	✓	✓	✓	✓		✓
MF8120	LS CLOSED	2900	26	✓	✓	✓	✓		✓
MF8140	LS CLOSED	2900	26	✓	✓	✓	✓		✓
MF8150	LS CLOSED	2900	26	✓	✓	✓	✓		✓
MF8160	LS CLOSED	2900	26	✓	✓	✓	✓		✓
MF8220	LS CLOSED	2900	29	✓	✓	✓	✓		✓
MF8240	LS CLOSED	2900	29	✓	✓	✓	✓		✓
MF8245	LS CLOSED	2900	29/39	✓	✓	✓	✓		✓
MF8250	LS CLOSED	2900	29	✓	✓	✓	✓		✓
MF8260	LS CLOSED	2900	29/39	✓	✓	✓	✓		✓
MF8270	LS CLOSED	2900	29/39	✓	✓	✓	✓		✓
MF8280	LS CLOSED	2900	29/39	✓	✓	✓	✓		✓
MF8450	LS CLOSED	2900	39	✓	✓	✓	✓		✓
MF8460	LS CLOSED	2900	39	✓	✓	✓	✓		✓
MF8470	LS CLOSED	2900	39	✓	✓	✓	✓		✓
MF8480	LS CLOSED	2900	39	✓	✓	✓	✓		✓
MF8650	LS CLOSED	2900	26.4	✓	✓	✓	✓		✓
MF8660	LS CLOSED	2900	26.4	✓	✓	✓	✓		✓
MF8670	LS CLOSED	2900	26.4	✓	✓	✓	✓		✓
MF8680	LS CLOSED	2900	26.4	✓	✓	✓	✓		✓



McCormick									
MODEL	HYDRAULIC SYSTEM	MAXIMUM PRESSURE	MAXIMUM FLOW	FMC-75-HYD-204 FMC-HYD-204	FMC-75-HYD-206 FMC-150-HYD-206	FMC-HYD-210 FMC-200-HYD-210	FMC-150-HYD-304 FMC-200-HYD-304	FMC-HYD-310 FMC-200-HYD-310	FMC-650-HYD
C60 MAX	OPEN		13.8		✓	✓	✓		
C60L	OPEN	2610	11.1		✓	✓	✓		✓
C70	OPEN	2500	12.7/14.8		✓	✓	✓		
C70L	OPEN	2610	11.1		✓	✓	✓		✓
C75 MAX	OPEN		13.8		✓	✓	✓		
C80	OPEN	2500	12.7/14.8		✓	✓	✓		
C80 MAX	OPEN	NA	13.8	✓	✓	✓	✓		✓
C80L	OPEN	2610	11.1		✓	✓	✓		✓
C85 MAX	OPEN		13.8		✓	✓	✓		
C90	OPEN	2500	12.7/14.8		✓	✓	✓		
C90 MAX	OPEN	NA	13.8		✓	✓	✓		✓
C95 MAX	OPEN		13.8		✓	✓	✓		
C100	OPEN	2500	12.7/14.8		✓	✓	✓		
C100 MAX	OPEN	NA	13.8		✓	✓	✓		✓
C105 MAX	OPEN	NA	13.8		✓	✓	✓		✓
CT50U	OPEN	NA	9.1	✓	✓	✓	✓		
CT55U	OPEN	NA	9.1	✓	✓	✓	✓		
CT65U	OPEN	NA	9.4	✓	✓	✓	✓		
CX70	OPEN	2500	16		✓	✓	✓		
CX75	OPEN	2500	16		✓	✓	✓		
CX80	OPEN	2500	16		✓	✓	✓		
CX85	OPEN	2500	16		✓	✓	✓		
CX90	OPEN	2500	16		✓	✓	✓		
CX95	OPEN	2500	16		✓	✓	✓		
CX100	OPEN	2500	16		✓	✓	✓		
CX105	OPEN	2500	16		✓	✓	✓		
CX110	OPEN	NA	16		✓	✓	✓		
F75	OPEN	NA	13.7		✓	✓	✓		✓
F80	OPEN	NA	13.8		✓	✓	✓		✓
F85	OPEN	NA	13.7		✓	✓	✓		✓
F90	OPEN	NA	13.8		✓	✓	✓		✓
F95	OPEN	NA	13.7		✓	✓	✓		✓
F100	OPEN	NA	13.8		✓	✓	✓		✓
F105	OPEN	NA	13.7		✓	✓	✓		✓
MB55	OPEN	2600	13.8		✓	✓	✓		
MB65	OPEN	2600	13.8		✓	✓	✓		
MB85	OPEN	2600	13.8		✓	✓	✓		
MC90	LS CLOSED	2987	28.8	✓	✓	✓	✓		✓
MC95	LS CLOSED	2987	28.8	✓	✓	✓	✓		✓
MC100	LS CLOSED	2987	28.8	✓	✓	✓	✓		✓
MC105	LS CLOSED	2987	28.8	✓	✓	✓	✓		✓
MC115	LS CLOSED	2987	28.8	✓	✓	✓	✓		✓
MC120	LS CLOSED	2987	28.8	✓	✓	✓	✓		✓
MC130	LS CLOSED	NA	28.8	✓	✓	✓	✓		✓
MC135	LS CLOSED	2987	28.8	✓	✓	✓	✓		✓
MTX110	LS CLOSED	2987	28.8	✓	✓	✓	✓		✓
MTX120	LS CLOSED	2987	28.8	✓	✓	✓	✓		✓
MTX125	LS CLOSED	2987	28.8	✓	✓	✓	✓		✓
MTX135	LS CLOSED	2987	28.8	✓	✓	✓	✓		✓
MTX140	LS CLOSED	2987	28.8	✓	✓	✓	✓		✓
MTX145	LS CLOSED	NA	28.8	✓	✓	✓	✓		✓
MTX150	LS CLOSED	2987	28.8	✓	✓	✓	✓		✓

McCormick									
MODEL	HYDRAULIC SYSTEM	MAXIMUM PRESSURE	MAXIMUM FLOW	FMC-75-HYD-204 FMC-HYD-204	FMC-75-HYD-206 FMC-150-HYD-206	FMC-HYD-210 FMC-200-HYD-210	FMC-150-HYD-304 FMC-200-HYD-304	FMC-HYD-310 FMC-200-HYD-310	FMC-650-HYD
MTX155	LS CLOSED	2987	31.7/41	✓	✓	✓	✓		✓
MTX165	LS CLOSED	2987	31.7/41	✓	✓	✓	✓		✓
MTX175	LS CLOSED	2987	31.7/41	✓	✓	✓	✓		✓
MTX185	LS CLOSED	2987	31.7/41	✓	✓	✓	✓		✓
MTX200	LS CLOSED	2987	31.7/41	✓	✓	✓	✓		✓
TTX190	LS CLOSED	NA	34/43	✓	✓	✓	✓		✓
TTX210	LS CLOSED	NA	34/43	✓	✓	✓	✓		✓
TTX230	LS CLOSED	NA	34/43	✓	✓	✓	✓		✓
XTX145	LS CLOSED	NA	25.1	✓	✓	✓	✓		✓
XTX165	LS CLOSED	NA	25.1	✓	✓	✓	✓		✓
XTX185	LS CLOSED	28.9	28.9	✓	✓	✓	✓		✓
XTX200	LS CLOSED	28.9	28.9	✓	✓	✓	✓		✓
XTX215	LS CLOSED	28.9	28.9	✓	✓	✓	✓		✓
ZTX230	LS CLOSED	2900	39.6	✓	✓	✓	✓		✓
ZTX260	LS CLOSED	2900	39.6	✓	✓	✓	✓		✓
ZTX280	LS CLOSED	2900	39.6	✓	✓	✓	✓		✓

New Holland									
MODEL	HYDRAULIC SYSTEM	MAXIMUM PRESSURE	MAXIMUM FLOW	FMC-75-HYD-204 FMC-HYD-204	FMC-75-HYD-206 FMC-150-HYD-206	FMC-HYD-210 FMC-200-HYD-210	FMC-150-HYD-304 FMC-200-HYD-304	FMC-HYD-310 FMC-200-HYD-310	FMC-650-HYD
276	LS CLOSED	2800	27.6	✓	✓	✓	✓		✓
756	LS CLOSED	2500	25.2	✓	✓	✓	✓		✓
836	LS CLOSED	2500	25.2	✓	✓	✓	✓		✓
846	LS CLOSED	2500	25.2	✓	✓	✓	✓		✓
856	LS CLOSED	2500	25.2	✓	✓	✓	✓		✓
876	LS CLOSED	2500	25.2	✓	✓	✓	✓		✓
936	LS CLOSED	2400	24.5	✓	✓	✓	✓		✓
946	LS CLOSED	2400	24.5	✓	✓	✓	✓		✓
956	LS CLOSED	2400	24.5	✓	✓	✓	✓		✓
976	LS CLOSED	2400	24.5	✓	✓	✓	✓		✓
1000	OPEN	1400	4.2	✓					
1100	OPEN	1400	4.2	✓					
1110	OPEN	1400	4.2	✓					
1120	OPEN	1400	4.2	✓					
1156	LS CLOSED	2500	27	✓	✓	✓	✓		✓
1200	OPEN	1849	2.9	✓					
1210	OPEN	1849	2.9	✓					
1220	OPEN	1849	2.9	✓					
1300	OPEN	2133	6.3	✓					
1310	OPEN	2133	6.4	✓					
1500	OPEN	2133	4	✓					
1510	OPEN	2133	6.6	✓					
1520	OPEN	2133	6.4	✓					
1600	OPEN	1400	4.2	✓					
1700	OPEN	2133	5.3	✓					
1710	OPEN	2133	7.8	✓	✓				
1720	OPEN	2133	7.8	✓	✓				
1900	OPEN	2133	5.9	✓	✓				
1910	OPEN	2133	8.6	✓	✓				
1920	OPEN	2133	7.8	✓	✓				
2110	OPEN	2133	8.6	✓	✓				
2120	OPEN	2500	9.3	✓	✓	✓	✓		
2310	(13)(14)	2500	7.7/13.6		✓	✓	✓		
2600	OPEN	2100	8.5	✓	✓	(9)	✓		
2610	(13)(14)	2500	7.7/13.6		✓	✓	✓		
2810	(13)(14)	2500	7.7/13.6		✓	✓	✓		
2910	(13)(14)	2500	7.7/13.6		✓	✓	✓		
3000	OPEN	2500	5	✓	✓				
3010	OPEN	2750	8.6	✓	✓				
3230	(14)	2500	8.5/14.1		✓	✓	✓		
3430	(14)	2500	8.5/14.1		✓	✓	✓		
3600	OPEN	2500	8.5	✓	✓	(9)	✓		
3610	(13)(14)	2500	7.7/13.6		✓	✓	✓		
3830	OPEN	2610	11		✓	✓	✓		
3910	(13)(14)	2500	8.5/14.1		✓	✓	✓		
3930	(14)	2500	8.5/14.1		✓	✓	✓		
4000	OPEN	2500	5	✓	✓	✓	✓		
4030	OPEN	2610	11		✓	✓	✓		
4100	OPEN	2500	8.5	✓	✓	(9)	✓		
4110	OPEN	2500	8.5	✓	✓	(9)	✓		
4230	OPEN	2610	11		✓	✓	✓		
4430	OPEN	2610	11		✓	✓	✓		

(9) Select model FMC-HYD-210 when pumping pressures between 60 and 100 PSI are required.

(13) Series 10 tractors with three cylinder engines can have either OPEN center or a type of CLOSED center hydraulic systems. The type system is most easily identified by the location of the hydraulic valves. On OPEN center systems the hydraulic valves are located under the seat with the hoses running to the couplers in the rear. On CLOSED center systems the hydraulic valves are located at the rear of the tractor.

(14) Fords CLOSED hydraulic system has constant displacement pumps and senses the pressure drop between the combining valve and the remote ports. Most other closed centered systems have a variable displacement pump. Contact Ford New Holland before operating a hydraulic driven sprayer pump on a tractor with this type hydraulic system. An auxiliary oil cooler may be required for continuous duty sprayer pump operation.

New Holland									
MODEL	HYDRAULIC SYSTEM	MAXIMUM PRESSURE	MAXIMUM FLOW	FMC-75-HYD-204 FMC-HYD-204	FMC-75-HYD-206 FMC-150-HYD-206	FMC-HYD-210 FMC-200-HYD-210	FMC-150-HYD-304 FMC-200-HYD-304	FMC-HYD-310 FMC-200-HYD-310	FMC-650-HYD
4600	OPEN	2100	8.5	✓	✓	(9)			
4610	(13)(14)	2500	8.5/14.1		✓	✓	✓		
4630	(14)	2500	8.5/14.1		✓	✓	✓		
4835	(14)	2750	14.5		✓	✓	✓		✓
5000	OPEN	2500	6	✓					
5030	OPEN	2610	11		✓	✓	✓		
5600	OPEN	2500	9.7		✓	(9)	✓		
5610 (SPECIAL)	(14)	2500	18		✓	✓	✓		
5630	(14)				✓	✓	✓		
5635	(14)	2750	14.5		✓	✓	✓		✓
5640 S SL	(14)	2500	18		✓	✓	✓		
5640 SLE	LS CLOSED	2500	21	✓	✓	✓	✓		✓
5900	OPEN	2100	9	✓	✓				
6600	OPEN	2500	9.7		✓	(9)	✓		
6610	(14)	2500	9.7		✓	✓	✓		
6610 SPECIAL	(14)	2500	18		✓	✓	✓		
6635	(14)	2750	14.5		✓	✓	✓		
6640 S SL	(14)	2500	18		✓	✓	✓		
6640 SLE	LS CLOSED	2500	21	✓	✓	✓	✓		✓
6700	OPEN	2500	9.7		✓	(9)	✓		
6710	(14)	2500	9.7		✓	✓	✓		
7000	OPEN	2500	6	✓		✓			
7010 LOW PROFILE	LS CLOSED	2500	17.4	✓	✓	✓	✓		✓
7600	OPEN	2500	9.7		✓	(9)	✓		
7610	(14)	2500	9.7/18.2		✓	✓	✓		
7635	(14)	2750	14.5		✓	✓	✓		
7700	OPEN	2500	9.7		✓	✓	✓		
7710	(14)	2500	9.7/18.2		✓	✓	✓		
7740 S SL	(14)	2500	18		✓	✓	✓		
7740 SLE	LS CLOSED	2500	20	✓	✓	✓	✓		✓
7810	(14)	2500	9.7/18.2		✓	✓	✓		
7840 SL	(14)	2500	17.4		✓	✓	✓		
7840 SLE	LS CLOSED	2500	20	✓	✓	✓	✓		✓
8000	OPEN	2500	12		✓	(9)	✓		
8010 HIGH CLEARANCE	LS CLOSED	2500	9.3/17.4	✓	✓	✓	✓		✓
8010 LOW PROFILE	LS CLOSED	2500	17.4	✓	✓	✓	✓		✓
8160	LS CLOSED	2750	20	✓	✓	✓	✓		✓
8210	(14)	2500	10.6		✓	✓	✓		
8240 SLE	LS CLOSED	2500	20	✓	✓	✓	✓		✓
8260	LS CLOSED	2500	20	✓	✓	✓	✓		✓
8340 SLE	LS CLOSED	2500	20	✓	✓	✓	✓		✓
8360	LS CLOSED	2500	20	✓	✓	✓	✓		✓
8530	(14)	2500	29		✓	✓	✓		
8560	LS CLOSED	2750	20	✓	✓	✓	✓		✓
8600	OPEN	2500	15.5		✓	✓	✓		
8630	(14)	2500	29		✓	✓	✓		
8670	LS CLOSED	2750	24	✓	✓	✓	✓		✓
8670A	LS CLOSED	2900	27	✓	✓	✓	✓		✓
8730	(14)	2500	29		✓	✓	✓		
8770	LS CLOSED	2750	24	✓	✓	✓	✓		✓
8770A	LS CLOSED	2900	27	✓	✓	✓	✓		✓
8830	(14)	2500	29		✓	✓	✓		
8870	LS CLOSED	2750	24	✓	✓	✓	✓		✓
8870A	LS CLOSED	2900	27	✓	✓	✓	✓		✓
8970	LS CLOSED	2750	24	✓	✓	✓	✓		✓
8970A	LS CLOSED	2900	27	✓	✓	✓	✓		✓
9000	OPEN	2500	16		✓	✓	✓		
9030	LS CLOSED	2400	25	✓	✓	✓	✓		✓
9184	LS CLOSED	2900	45	✓	✓	✓	✓		✓
9280	LS CLOSED	2400	25/30	✓	✓	✓	✓		✓
9282	LS CLOSED	2900	30	✓	✓	✓	✓		✓
9384	LS CLOSED	2900	45	✓	✓	✓	✓		✓
9480	LS CLOSED	2400	25/30	✓	✓	✓	✓		✓
9482	LS CLOSED	2900	30	✓	✓	✓	✓		✓
9484	LS CLOSED	2900	45	✓	✓	✓	✓		✓
9600	OPEN	2500	15.5		✓	✓	✓		
9680	LS CLOSED	2400	25/30	✓	✓	✓	✓		✓
9682	LS CLOSED	2900	30	✓	✓	✓	✓		✓
9684	LS CLOSED	2900	50	✓	✓	✓	✓		✓
9700	OPEN	2500	15.5		✓	✓	✓		
9880	LS CLOSED	2400	25/30	✓	✓	✓	✓		✓
9882	LS CLOSED	2900	30	✓	✓	✓	✓		✓
9884	LS CLOSED	2900	50	✓	✓	✓	✓		✓
COUNTRY SUPER 4	OPEN	2500	6	✓					
COUNTRY SUPER 6	OPEN	2500	6.3	✓					
FW20	OPEN	2250	20					✓	
FW30	OPEN	2250	20					✓	
FW40	OPEN	2250	20					✓	
FW60	OPEN	2250	20					✓	
G170	LS CLOSED	2750	24	✓	✓	✓	✓		✓

New Holland									
MODEL	HYDRAULIC SYSTEM	MAXIMUM PRESSURE	MAXIMUM FLOW	FMC-75-HYD-204 FMC-HYD-204	FMC-75-HYD-206 FMC-150-HYD-206	FMC-HYD-210 FMC-200-HYD-210	FMC-150-HYD-304 FMC-200-HYD-304	FMC-HYD-310 FMC-200-HYD-310	FMC-650-HYD
G190	LS CLOSED	2750	24	✓	✓	✓	✓		✓
G210	LS CLOSED	2750	24	✓	✓	✓	✓		✓
G240	LS CLOSED	2750	24	✓	✓	✓	✓		✓
M100	LS CLOSED	2750	20	✓	✓	✓	✓		✓
M115	LS CLOSED	2750	20	✓	✓	✓	✓		✓
M135	LS CLOSED	2750	20	✓	✓	✓	✓		✓
M160	LS CLOSED	2750	20	✓	✓	✓	✓		✓
T4020 (12.8)	OPEN(8)	2755	12.8		✓	✓	✓		✓
T4020 (16.1)	OPEN(8)	2755	16.1		✓	✓	✓		
T4030 (12.8)	OPEN(8)	2755	12.8		✓	✓	✓		✓
T4030 (16.1)	OPEN(8)	2755	16.1		✓	✓	✓		
T4030F (12.8)	OPEN(8)	2755	12.8		✓	✓	✓		✓
T4030F (17.2)	OPEN(8)	2755	17.2			✓	✓		
T4030V	OPEN	2755	17.2			✓	✓		
T4040	OPEN	2755	16.1		✓	✓	✓		
T4040F (12.8)	OPEN(8)	2755	12.8		✓	✓	✓		✓
T4040F (17.2)	OPEN(8)	2755	17.2			✓	✓		
T4040V	OPEN	2755	17.2			✓	✓		
T4050	OPEN	2755	16.1		✓	✓	✓		
T4050F	OPEN	2755	17.2			✓	✓		
T4050V	OPEN	2755	17.2			✓	✓		
T5040 (LS CLOSED)	LS CLOSED(8)	2871	16.1	✓	✓	✓	✓		✓
T5040 (OPEN)	OPEN(8)	2871	16.1		✓	✓	✓		
T5050 (LS CLOSED)	LS CLOSED(8)	2871	16.1	✓	✓	✓	✓		✓
T5050 (OPEN)	OPEN(8)	2871	16.1		✓	✓	✓		
T5060 (LS CLOSED)	LS CLOSED(8)	2871	16.1	✓	✓	✓	✓		✓
T5060 (OPEN)	OPEN(8)	2871	16.1	✓	✓	✓	✓		✓
T5070 (LS CLOSED)	LS CLOSED(8)	2871	16.1	✓	✓	✓	✓		✓
T5070 (OPEN)	OPEN(8)	2871	16.1		✓	✓	✓		
T6010	LS CLOSED	3100	26.5	✓	✓	✓	✓		✓
T6020 DELTA	OPEN(8)	2900	16.6		✓	✓	✓		
T6020 PLUS/ELITE	LS CLOSED(8)	3100	26.5	✓	✓	✓	✓		✓
T6030 PLUS/ELITE	LS CLOSED(8)	3100	26.5	✓	✓	✓	✓		✓
T6030 DELTA	OPEN(8)	2900	16.6		✓	✓	✓		
T6050 DELTA	OPEN(8)	2900	16.6		✓	✓	✓		
T6050 PLUS/ELITE	LS CLOSED(8)	3100	26.5	✓	✓	✓	✓		✓
T6070	LS CLOSED	3100	26.5	✓	✓	✓	✓		✓
T6080	LS CLOSED	2900	26.5	✓	✓	✓	✓		✓
T7030	LS CLOSED	2750	32/39	✓	✓	✓	✓		✓
T7040	LS CLOSED	2750	32/39	✓	✓	✓	✓		✓
T7050	LS CLOSED	2750	32/39	✓	✓	✓	✓		✓
T7060	LS CLOSED	2750	32/39	✓	✓	✓	✓		✓
T7070	LS CLOSED	2750	39.6/45	✓	✓	✓	✓		✓
T8010	LS CLOSED	NA	44/75	✓	✓	✓	✓		✓
T8020	LS CLOSED	NA	44/75	✓	✓	✓	✓		✓
T8030	LS CLOSED	NA	44/75	✓	✓	✓	✓		✓
T8040	LS CLOSED	NA	44/75	✓	✓	✓	✓		✓
T8050	LS CLOSED	NA	44/75	✓	✓	✓	✓		✓
T9020	LS CLOSED	NA	40/55/90	✓	✓	✓	✓		✓
T9030	LS CLOSED	NA	40/55/90	✓	✓	✓	✓		✓
T9040	LS CLOSED	NA	40/55/90	✓	✓	✓	✓		✓
T9050	LS CLOSED	NA	40/55/90	✓	✓	✓	✓		✓
T9060	LS CLOSED	NA	42/57/94	✓	✓	✓	✓		✓
TB100	LS CLOSED	2750	9.7/18.2		✓	✓	✓		
TB110	LS CLOSED	2600	9.3/17.8		✓	✓	✓		
TB120 WITH AUX. PUMP	LS CLOSED	2750	17.8		✓	✓	✓		✓
TC21DA	OPEN	2500	4.9	✓					
TC24DA	OPEN	2500	4.9	✓					
TC29DA	OPEN	2500	7.6	✓	✓				
TC31DA	OPEN	2500	7.6	✓	✓				
TC33DA	OPEN	2500	7.6	✓	✓				
TC34DA	OPEN	2500	7.6	✓	✓				
TC35A	OPEN	2500	9.8		✓	✓			
TC35DA	OPEN	2500	9.8		✓	✓			
TC40A	OPEN	2500	9.8		✓	✓			
TC40DA	OPEN	2500	9.8		✓	✓			
TC45	OPEN	2500	9.8		✓	✓			
TC45DA	OPEN	2500	9.8		✓	✓			
TC48DA	OPEN	2500	12		✓	✓	✓		
TC55DA	OPEN	2500	11.6		✓	✓	✓		
TD5030	OPEN	NA	16.1		✓	✓	✓		
TD5050	OPEN	NA	16.1		✓	✓	✓		
TD60D	OPEN	2750	13.6		✓	✓	✓		
TD70D	OPEN	2750	13.6		✓	✓	✓		
TD80D	OPEN	2750	13.6		✓	✓	✓		
TD90D	OPEN	2750	13.6		✓	✓	✓		

(8) This model has multiple hydraulic systems available. Verify system type for proper pump selection and setup.

(9) Select model FMC-HYD-210 when pump pressures between 60 and 100 PSI are required.

(13) Series 10 tractors with three cylinder engines have either Open Center or a type of Closed Center hydraulic system. On Open Center systems, the hydraulic valves are located under the seat with hoses running to the couplers in the rear. On Closed Center systems, the valves are located on the rear of the tractor.

(14) New Holland's Closed hydraulic system has constant displacement pumps and senses the pressure drop between the combining valve and the remote ports. Contact New Holland before operating a hydraulic driven pump on this tractor. An auxiliary oil cooler may be required for continuous duty sprayer pump operation.

New Holland									
MODEL	HYDRAULIC SYSTEM	MAXIMUM PRESSURE	MAXIMUM FLOW	FMC-75-HYD-204 FMC-HYD-204	FMC-75-HYD-206 FMC-150-HYD-206	FMC-HYD-210 FMC-200-HYD-210	FMC-150-HYD-304 FMC-200-HYD-304	FMC-HYD-310 FMC-200-HYD-310	FMC-650-HYD
TD95D	OPEN	2755	13.6		✓	✓	✓		✓
TG210	LS CLOSED	2950	38.6/53.1/68	✓	✓	✓	✓		
TG230	LS CLOSED	2950	38.6/53.1/68	✓	✓	✓	✓		
TG255	LS CLOSED	2950	38.6/53.1/68	✓	✓	✓	✓		
TG285	LS CLOSED	2950	38.6/53.1/68	✓	✓	✓	✓		
TJ275	LS CLOSED	2950	40/55/90	✓	✓	✓	✓		✓
TJ325	LS CLOSED	2950	40/55/90	✓	✓	✓	✓		✓
TJ375	LS CLOSED	2950	40/55/90	✓	✓	✓	✓		✓
TJ425	LS CLOSED	2950	40/55/90	✓	✓	✓	✓		✓
TJ450	LS CLOSED	2950	40/55/90	✓	✓	✓	✓		✓
TK100A	OPEN	2750	11.9		✓	✓	✓		✓
TK100A	OPEN	2755	11.9		✓	✓	✓		✓
TK4030V	OPEN	2755	9.4	✓	✓	✓	✓		✓
TK4050	OPEN	2755	11.9	✓	✓	✓	✓		✓
TK4050M	OPEN	2755	11.9	✓	✓	✓	✓		✓
TK4060	OPEN	2755	11.9	✓	✓	✓	✓		✓
TK75VA	OPEN	2755	11.9		✓	✓	✓		✓
TK76	OPEN	2750	11.9		✓	✓	✓		
TK80A	OPEN	2750	11.9		✓	✓	✓		
TK80MA	OPEN	2750	11.9		✓	✓	✓		
TK85/M	OPEN	2750	11.9		✓	✓	✓		
TK90A	OPEN	2755	11.9		✓	✓	✓		✓
TK90MA	OPEN	2755	11.9		✓	✓	✓		✓
TL100 DLX	OPEN	2750	14.5		✓	✓	✓		
TL100 STD	(14)	2750	14.5		✓	✓	✓		✓
TL100A DLX	OPEN	2750	14.5		✓	✓	✓		
TL100A STD	OPEN	2750	14.5		✓	✓	✓		
TL70 STD	(14)	2750	14.5		✓	✓	✓		✓
TL80 DLX	OPEN	2750	14.5		✓	✓	✓		
TL80 STD	(14)	2750	14.5		✓	✓	✓		✓
TL80A DLX	OPEN	2750	14.5		✓	✓	✓		
TL80A STD	OPEN	2750	14.5		✓	✓	✓		
TL90 DLX	OPEN	2750	14.5		✓	✓	✓		
TL90 STD	(14)	2750	14.5		✓	✓	✓		✓
TL90A DLX	OPEN	2750	14.5		✓	✓	✓		
TL90A STD	OPEN	2750	14.5		✓	✓	✓		
TM115	LS CLOSED(18)	2750	28	✓	✓	✓	✓		✓
TM120	LS CLOSED(18)	2750	28	✓	✓	✓	✓		✓
TM125	LS CLOSED(18)	2750	28	✓	✓	✓	✓		✓
TM130	LS CLOSED(18)	2750	28	✓	✓	✓	✓		✓
TM135	LS CLOSED(18)	2750	28	✓	✓	✓	✓		✓
TM140	LS CLOSED(18)	2750	28	✓	✓	✓	✓		✓
TM150	LS CLOSED(18)	2750	28	✓	✓	✓	✓		✓
TM155	LS CLOSED(18)	2750	28	✓	✓	✓	✓		✓
TM165	LS CLOSED(18)	2750	30.5	✓	✓	✓	✓		✓
TM175	LS CLOSED(18)	2750	31.8	✓	✓	✓	✓		✓
TM190	LS CLOSED(18)	2750	31.8	✓	✓	✓	✓		✓
TN55D S	OPEN	2750	12.4/16.9		✓	✓	✓		
TN60A	OPEN	2750	12.4/16.9		✓	✓	✓		
TN60DA	OPEN	2750	12.4/16.9		✓	✓	✓		
TN60SA	OPEN	2750	12.4/16.9		✓	✓	✓		
TN60VA	OPEN	2750	12.4		✓	✓	✓		
TN65D S	OPEN	2750	12.4/16.9		✓	✓	✓		
TN65F	OPEN	2750	12.4		✓	✓	✓		
TN65V	OPEN	2750	12.4		✓	✓	✓		
TN70	OPEN	2750	12.4		✓	✓	✓		
TN70A	OPEN	2750	12.4/16.9		✓	✓	✓		
TN70D S	OPEN	2750	12.4/16.9		✓	✓	✓		
TN70DA	OPEN	2750	12.4/16.9		✓	✓	✓		
TN70F	OPEN	2750	12.4		✓	✓	✓		
TN70SA	OPEN	2750	12.4/16.9		✓	✓	✓		
TN75A	OPEN	2750	12.4/16.9		✓	✓	✓		
TN75D S	OPEN	2750	16.9		✓	✓	✓		
TN75DA	OPEN	2750	12.4/16.9		✓	✓	✓		
TN75F	OPEN	2750	12.4		✓	✓	✓		
TN75FA 2WD	OPEN	2750	12.4		✓	✓	✓		
TN75FA 4WD	OPEN	2750	12.4/16.9		✓	✓	✓		
TN75SA	OPEN	2750	12.4/16.9		✓	✓	✓		
TN75V 2WD	OPEN	2750	12.4		✓	✓	✓		
TN75V4WD	OPEN	2750	16.9		✓	✓	✓		
TN75VA	OPEN	2750	12.4		✓	✓	✓		
TN80F	OPEN	2750	12.4		✓	✓	✓		
TN85A	OPEN	2750	16.9		✓	✓	✓		
TN85DA	OPEN	2750	16.9		✓	✓	✓		
TN85FA 2WD	OPEN	2750	12.4		✓	✓	✓		
TN85FA 4WD	OPEN	2750	12.4/16.9		✓	✓	✓		

(18) On certain Case and New Holland tractors a 710362010 MANUAL DENTENT KIT must be obtained from your Case/New Holland dealer to operate a hydraulic driven pump. This kit converts from a 4 position detent kick-out to a 4 position with detents in all positions. This valve will not return to neutral under pressure over 2000 psi (137.9 bar).



New Holland									
MODEL	HYDRAULIC SYSTEM	MAXIMUM PRESSURE	MAXIMUM FLOW	FMC-75-HYD-204 FMC-HYD-204	FMC-75-HYD-206 FMC-150-HYD-206	FMC-HYD-210 FMC-200-HYD-210	FMC-150-HYD-304 FMC-200-HYD-304	FMC-HYD-310 FMC-200-HYD-310	FMC-650-HYD
TN90F	OPEN	2750	16.9		✓	✓	✓		
TN95A	OPEN	2750	16.9		✓	✓	✓		
TN95DA	OPEN	2750	16.9		✓	✓	✓		
TN95F 2WD	OPEN	2750	12.4		✓	✓	✓		
TN95F 4WD	OPEN	2750	16.9		✓	✓	✓		
TN95FA 2WD	OPEN	2750	12.4		✓	✓	✓		
TN95FA 4WD	OPEN	2750	12.4/16.9		✓	✓	✓		
TN95VA	OPEN	2755	16.9		✓	✓	✓		
TS90 16X16	LS CLOSED	2500	21	✓	✓	✓	✓		✓
TS90 8X2	(14)	2500	18		✓	✓	✓		
TS100 16X16	LS CLOSED	2500	21	✓	✓	✓	✓		✓
TS100 8X2	(14)	2500	18		✓	✓	✓		
TS100A	LS CLOSED(8)(18)	3115	26.5	✓	✓	✓	✓		✓
TS100A	OPEN(8)(18)	2970	19.8					✓	
TS110 16X16	LS CLOSED	2500	21	✓	✓	✓	✓		✓
TS110 8X2	(14)	2500	18		✓	✓	✓		
TS115A	LS CLOSED(8)(18)	3115	26.5	✓	✓	✓	✓		✓
TS115A	OPEN(8)(18)	2970	19.8					✓	
TS125A	LS CLOSED(8)(18)	3115	26.5	✓	✓	✓	✓		✓
TS125A	OPEN(8)(18)	2970	19.8					✓	
TS135A	LS CLOSED(18)	3115	26.5	✓	✓	✓	✓		✓
TT45A	OPEN	2750	9.8		✓	✓	✓		
TT50A	OPEN	2750	10.5		✓	✓	✓		
TT55	OPEN	2750	11.8		✓	✓	✓		
TT60A	OPEN	2750	10.5		✓	✓	✓		
TT75	OPEN	2750	11.8		✓	✓	✓		
TT75A	OPEN	2750	10.5		✓	✓	✓		
TV140	LS CLOSED	2750	30	✓	✓	✓	✓		✓
TV145	LS CLOSED	3000	30	✓	✓	✓	✓		✓
TV6070	LS CLOSED	3000	30/65	✓	✓	✓	✓		✓
TW10	OPEN	2500	16.2		✓	✓	✓		
TW15 < 7/85	OPEN(15)	2500	15.3		✓	✓	✓		
TW15 > 7/85	(14)(16)	2500	24.3		✓	✓	✓		
TW20	OPEN	2500	15.5		✓	✓	✓		
TW25 < 7/85	OPEN(15)	2500	15.3		✓	✓	✓		
TW25 > 7/85	(14)(16)	2500	24.3		✓	✓	✓		
TW30	OPEN	2500	20			✓	✓	✓	
TW35 < 7/85	OPEN(15)	2500	20			✓	✓	✓	
TW35 > 7/85	(14)(16)	2500	29		✓	✓	✓		
TW5 < 7/85	OPEN(15)	2500	16		✓	✓	✓		
TW5 > 7/85	(14)(16)	2500	25.4		✓	✓	✓		
TZ18DA	OPEN	2500	3.8	✓					
TZ22DA	OPEN	2500	3.8	✓					
TZ24DA	OPEN	2500	3.8	✓					
TZ25DA	OPEN	2500	3.8	✓					

(8) This model has multiple hydraulic systems available. Verify system type for proper pump selection and setup.

(14) New Holland's Closed hydraulic system has constant displacement pumps and senses the pressure drop between the combining valve and the remote ports. Contact New Holland before operating a hydraulic driven pump on this tractor. An auxiliary oil cooler may be required for continuous duty sprayer pump operation.

(15) Manufactured prior to July 1985.

(16) Manufactured after July 1985.

(18) On certain Case and New Holland tractors a 710362010 MANUAL DENTENT KIT must be obtained from your Case/New Holland dealer to operate a hydraulic driven pump. This kit converts from a 4 position detent kick-out to a 4 position with detents in all positions. This valve will not return to neutral under pressure over 2000 psi (137.9 bar).

Steiger									
MODEL	HYDRAULIC SYSTEM	MAXIMUM PRESSURE	MAXIMUM FLOW	FMC-75-HYD-204 FMC-HYD-204	FMC-75-HYD-206 FMC-150-HYD-206	FMC-HYD-210 FMC-200-HYD-210	FMC-150-HYD-304 FMC-200-HYD-304	FMC-HYD-310 FMC-200-HYD-310	FMC-650-HYD
9330	LS CLOSED	2900	28	✓	✓	✓	✓		✓
9350	LS CLOSED	2900	30	✓	✓	✓	✓		✓
9370	LS CLOSED	2900	30	✓	✓	✓	✓		✓
9380	LS CLOSED	2900	30	✓	✓	✓	✓		✓
9390 REMOTES 1&2	LS CLOSED	2900	30	✓	✓	✓	✓		✓
BEARCAT CM-225	OPEN	2250	20					✓	
BEARCAT ST-220	OPEN	2550	20					✓	
BEARCAT ST-25	OPEN	2250	20					✓	
COUGAR CM-150	OPEN	2250	20					✓	
COUGAR CR-1225	LS CLOSED	2500	30	✓	✓	✓	✓		✓
COUGAR CR-1280	LS CLOSED	2500	30	✓	✓	✓	✓		✓
COUGAR CS-280	OPEN	2250	20					✓	
COUGAR KR-1225	LS CLOSED	2500	30	✓	✓	✓	✓		✓
COUGAR KR-1280	LS CLOSED	2500	30	✓	✓	✓	✓		✓
COUGAR PT-270	OPEN	2250	20					✓	
COUGAR ST-250	OPEN	2250	20					✓	
COUGAR ST-251	OPEN	2250	20					✓	
COUGAR ST-270	OPEN	2250	20					✓	
PANTHER CP-1325	LS CLOSED	2500	30	✓	✓	✓	✓		✓
PANTHER CP-1360	LS CLOSED	2500	30	✓	✓	✓	✓		✓
PANTHER CP-1400	LS CLOSED	2500	30	✓	✓	✓	✓		✓
PANTHER CS-360	OPEN	2250	20					✓	
PANTHER KM-360	OPEN	2250	20					✓	
PANTHER KP-1325	LS CLOSED	2500	30	✓	✓	✓	✓		✓
PANTHER KP-1360	LS CLOSED	2500	30	✓	✓	✓	✓		✓
PANTHER KP-1400	LS CLOSED	2500	30	✓	✓	✓	✓		✓
PANTHER KS-325	OPEN	2250	20					✓	
PANTHER KS-360	OPEN	2250	20					✓	
PANTHER PT-350	OPEN	2250	20					✓	
PANTHER PTA-297	OPEN	2250	20					✓	
PANTHER PTA-310	OPEN	2250	20					✓	
PANTHER ST-310	OPEN	2250	20					✓	
PANTHER ST-320	OPEN	2250	20					✓	
PANTHER ST-325	OPEN	2250	20					✓	
WILDCAT RC-210	OPEN	2250	20					✓	

VERSATILE®

Versatile									
MODEL	HYDRAULIC SYSTEM	MAXIMUM PRESSURE	MAXIMUM FLOW	FMC-75-HYD-204 FMC-HYD-204	FMC-75-HYD-206 FMC-150-HYD-206	FMC-HYD-210 FMC-200-HYD-210	FMC-150-HYD-304 FMC-200-HYD-304	FMC-HYD-310 FMC-200-HYD-310	FMC-650-HYD
118	OPEN	2000	16.5			✓	✓		
145	OPEN	2000	16.5			✓	✓		
150	OPEN	2500	15		✓	✓	✓		
250	LS CLOSED	2900	27/55	✓	✓	✓	✓		✓
256	LS CLOSED	2500	25.2	✓	✓	✓	✓		✓
276	LS CLOSED	2500	25.2	✓	✓	✓	✓		✓
280	LS CLOSED	2900	27/55	✓	✓	✓	✓		✓
305	LS CLOSED	2850	50/75	✓	✓	✓	✓		✓
340	LS CLOSED	2850	50/75	✓	✓	✓	✓		✓
375	LS CLOSED	2850	50/75	✓	✓	✓	✓		✓
400	LS CLOSED	2850	50/75	✓	✓	✓	✓		✓
435	LS CLOSED	2850	55/80	✓	✓	✓	✓		✓
485	LS CLOSED	2850	55/80	✓	✓	✓	✓		✓
500	OPEN	2300	24					✓	
535	LS CLOSED	2850	55/80	✓	✓	✓	✓		✓
555	OPEN	2400	23.2					✓	
700	OPEN	2000	24					✓	
756	LS CLOSED	2250	20	✓	✓	✓	✓		✓
835	OPEN	2300	23.5					✓	
836	LS CLOSED	2500	25.2	✓	✓	✓	✓		✓
855	OPEN	2300	23.5					✓	
856	LS CLOSED	2500	25.2	✓	✓	✓	✓		✓
875	OPEN	2300	23.5					✓	
876	LS CLOSED	2500	25.2	✓	✓	✓	✓		✓
895	OPEN	2400	23.6					✓	
900	OPEN	2000	24					✓	
905	OPEN	2300	23.5					✓	
936	LS CLOSED	2500	25.2	✓	✓	✓	✓		✓
955	OPEN	2500	23					✓	
956	LS CLOSED	2500	25.2	✓	✓	✓	✓		✓
975	OPEN	2500	23					✓	
976	LS CLOSED	2500	25.2	✓	✓	✓	✓		✓
1150	LS CLOSED	2500	27	✓	✓	✓	✓		✓
1156	LS CLOSED	2250	20	✓	✓	✓	✓		✓
9030	LS CLOSED	2400	25	✓	✓	✓	✓		✓
9280	LS CLOSED	2400	25/30	✓	✓	✓	✓		✓
9480	LS CLOSED	2400	25/30	✓	✓	✓	✓		✓
9680	LS CLOSED	2400	25/30	✓	✓	✓	✓		✓
9880	LS CLOSED	2400	25/30	✓	✓	✓	✓		✓
750 SERIES II	OPEN	2200	23					✓	
800 SERIES II	OPEN	2200	23					✓	
825 SERIES II	OPEN	2300	23.5					✓	
850 SERIES II	OPEN	2300	23.5					✓	

White									
MODEL	HYDRAULIC SYSTEM	MAXIMUM PRESSURE	MAXIMUM FLOW	FMC-75-HYD-204 FMC-HYD-204	FMC-75-HYD-206 FMC-150-HYD-206	FMC-HYD-210 FMC-200-HYD-210	FMC-150-HYD-304 FMC-200-HYD-304	FMC-HYD-310 FMC-200-HYD-310	FMC-650-HYD
60	(7)	2200	20						
80	(7)	2200	20					✓	
100	PC CLOSED	2250	19	✓	✓	✓	✓		✓
120	PC CLOSED	2250	22	✓	✓	✓	✓		✓
125	PC CLOSED	2250	22	✓	✓	✓	✓		✓
140	PC CLOSED	2250	22	✓	✓	✓	✓		✓
145	PC CLOSED	2250	22	✓	✓	✓	✓		✓
160	PC CLOSED	2250	22	✓	✓	✓	✓		✓
170	PC CLOSED	2250	22	✓	✓	✓	✓		✓
185	PC CLOSED	2250	22	✓	✓	✓	✓		✓
195	PC CLOSED	2250	22	✓	✓	✓	✓		✓
6045	OPEN	2775	11		✓	✓	✓		
6065	OPEN	2610	9.6		✓	✓	✓		
6085	OPEN	2610	14.5		✓	✓	✓		✓
6105	OPEN	2610	15.9		✓	✓	✓		
6124	LS CLOSED	2900	27	✓	✓	✓	✓		✓
6125	PC CLOSED	2250	22	✓	✓	✓	✓		✓
6144	LS CLOSED	2900	27	✓	✓	✓	✓		✓
6145	PC CLOSED	2250	22	✓	✓	✓	✓		✓
6175	PC CLOSED	2250	22	✓	✓	✓	✓		✓
6195	PC CLOSED	2250	22	✓	✓	✓	✓		✓
6215	PC CLOSED	2750	22	✓	✓	✓	✓		✓
6410	OPEN	3045	17					✓	
6510	OPEN	3045	17					✓	
6710	LS CLOSED	2900	27.7	✓	✓	✓	✓		✓
6810	LS CLOSED	2900	27.7	✓	✓	✓	✓		✓
8310	LS CLOSED	2900	27.7	✓	✓	✓	✓		✓
8410	LS CLOSED	2900	27.7	✓	✓	✓	✓		✓
8510	LS CLOSED	2900	29/39	✓	✓	✓	✓		✓
8610	LS CLOSED	2900	29/39	✓	✓	✓	✓		✓
8710	LS CLOSED	2900	29/39	✓	✓	✓	✓		✓
8810	LS CLOSED	2900	29/39	✓	✓	✓	✓		✓
8810	LS CLOSED	2900	29/39	✓	✓	✓	✓		✓
2-30	OPEN	2130	5.4	✓					
2-35	OPEN	2130	5	✓					
2-45	OPEN	2413	8.5	✓	✓				
2-50	OPEN	2130	6	✓					
2-55	OPEN	2515	11.9		✓	✓	✓		
2-60	OPEN	2130	5.8	✓					
2-62	OPEN	2413	8.5	✓	✓				
2-65	OPEN	2415	11.9		✓	✓	✓		
2-70	OPEN	2050	14.6		✓	✓	✓		✓
2-75	OPEN	2987	9.3/12		✓	✓	✓		
2-85	PC CLOSED	2250	20	✓	✓	✓	✓		✓
2-88	PC CLOSED	2250	21	✓	✓	✓	✓		✓
2-105	PC CLOSED	2250	20	✓	✓	✓	✓		✓
2-110	PC CLOSED	2250	21	✓	✓	✓	✓		✓
2-135	PC CLOSED	2250	21	✓	✓	✓	✓		✓
2-150	PC CLOSED	2250	20	✓	✓	✓	✓		✓
2-155	PC CLOSED	2300	20	✓	✓	✓	✓		✓
2-160	PC CLOSED	2300	20	✓	✓	✓	✓		✓
2-180	PC CLOSED	2300	22	✓	✓	✓	✓		✓
4-150	PC CLOSED	2250	22	✓	✓	✓	✓		✓
4-175	PC CLOSED	2250	22	✓	✓	✓	✓		✓
4-180	PC CLOSED	2250	22	✓	✓	✓	✓		✓
4-210	PC CLOSED	2250	20	✓	✓	✓	✓		✓
4-225	PC CLOSED	2250	22	✓	✓	✓	✓		✓
4-270	PC CLOSED	2250	22	✓	✓	✓	✓		✓

(7) Connect the hydraulic hoses from the Ace sprayer pump to the Power Beyond Circuit rather than using the remote hydraulic ports.

GET THE  **ADVANTAGE**

RELIABILITY



PERFORMANCE



PRODUCTIVITY



OasisWetSeal.com

ACE PUMP CORPORATION - P.O. Box 13187 - Memphis, TN 38113
phone: 800-843-2293 - fax: 901-774-6147 - www.AcePumps.com
ACE Form# HSG-2011