

# COIL TINE CONVERSION KITS



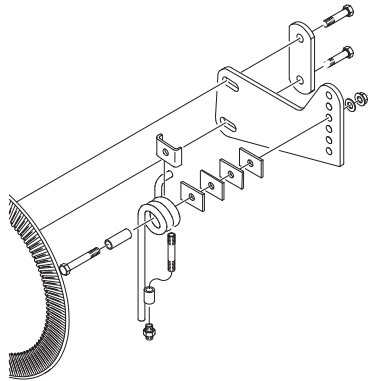
## Features

- Converts Great Plains No-Till Coulter
- For low pressure fertilizer injection
- Converts most standard coulters
- Non-Plugging coil tine applicator  
- Eliminates troublesome knife
- Stainless steel nozzle assembly
- Can be used with any type of pump
- For best results use with a 5/8" or wider blade

## Coil Tine Conversion Kit — For Liquid Fertilizer Application

Part No.	Description	Weight
204-232K	Coil Tine RH only – Liquid Fertilizer	13 lbs.
204-407K	Coil Tine LH – Anhydrous	18 lbs.
204-409K	Coil Tine RH – Anhydrous	18 lbs.

Order nozzles separately on page 15



## Features

- Converts Yetter 2975 series fertilizer coulter to the Coil Tine injection system
- For low pressure fertilizer injection
- Reduce plugging and constant adjustment
- Non-Plugging coil tine applicator
- Stainless steel nozzle assembly
- Can be used with any type of pump
- For best results use with a 5/8" or wider blade

## Yetter Coil Tine Conversion Kit — For Liquid Fertilizer Application

Part No.	Description	Weight
204-240A	Yetter Coil Tine Conversion Kit – LH	12 lbs.
204-241A	Yetter Coil Tine Conversion Kit – RH	12 lbs.
204-231K	Fert Drop Extn Kit (Clamp) RH	
204-323K	Fert Drop Extn Kit (Clamp) LH	

Order nozzles separately on page 15

