

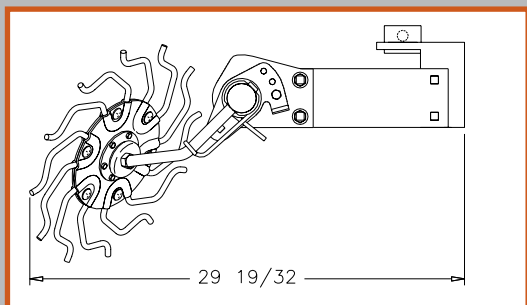
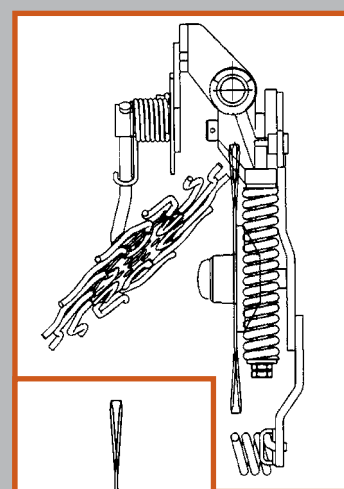
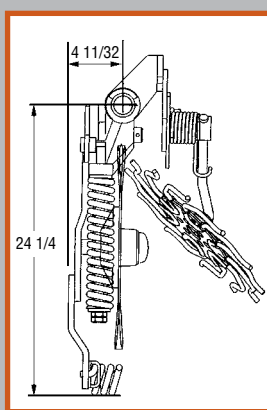
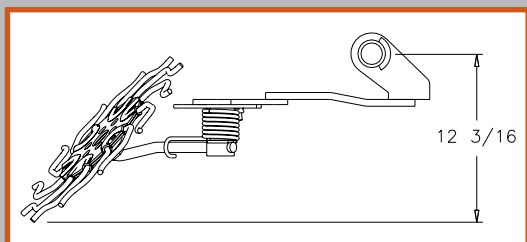
# Terra-Tine™ Row Cleaner



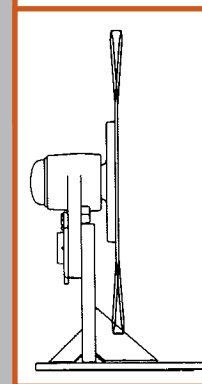
Frame Mount

## Features

- Works in conjunction with Fertilizer Coupler or can be mounted by itself on the planter fertilizer bar
- Fits the Ausherman GP Vantage I, Zone Coultter, and Yetter 2975 Fertilizer Coultter
- Clears a 7" to 9" path in front of row
- Floating arm design with adjustable spring pressure
- 15" and 16" diameter wheel
- Replaceable spring steel tine
- Frame mount Terra-Tine™ fits 5" X 7" or 7" X 7" bar



This illustration shows possible combinations of the Terra-Tine™, with a Vantage I and a Unit Mount Coultter



## TERRA-TINE™

Part No.	Description	Weight
204-198H	Double Shank Weldment	35 lbs.
207-001A	16" RH - Mounts w/ existing fertilizer coultter on 1 1/2" round shank	35 lbs.
207-002A	16" LH - Mounts w/ existing fertilizer coultter on 1 1/2" round shank	35 lbs.
207-025A	15" RH - 5" w X 7" h frame mount	35 lbs.
207-026A	15" LH - 5" w X 7" h frame mount	35 lbs.
207-027A	15" RH - 7" X 7" frame mount	35 lbs.
207-028A	15" LH - 7" X 7" frame mount	35 lbs.
207-023L	15" RH - Mounts w/ existing fertilizer coultter on 1 1/2" round shank	35 lbs.
207-024L	15" LH - Mounts w/ existing fertilizer coultter on 1 1/2" round shank	35 lbs.
207-211L	Double Terra-Tine™ Assembly	66 lbs.
207-255L	15" Short LH - Terra-Tine™ Assembly	36 lbs.
207-256L	15" Short RH - Terra-Tine™ Assembly	36 lbs.
207-254S	16" - Nutri-Pro™ Double Terra-Tine™ Assembly	42 lbs.

Note: 204-198H shank used for 207-254S and Vantage I-20 coultter combination.  
 Note: To mount Terra-Tine™ on the fertilizer bar by itself, order a standard 1 1/2" round shank and clamp kit for each row cleaner. Choose from clamp kits listed on page 5.