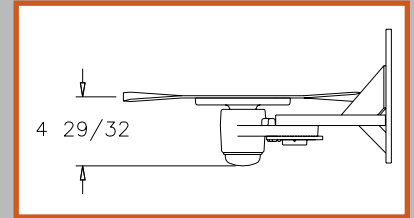
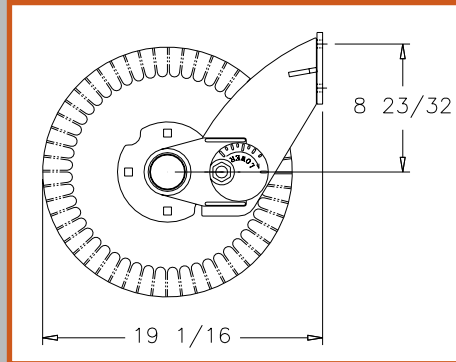


# HD Unit Mount Conservation Coulters

## Features

- Mounts on planter unit for conservation to no-till
- Fits John Deere, White 6100 and Kinze planters
- Available in right and left hand models
- Unique cam adjustment for depth control
- Heavy Duty greaseable hub
- Double-Lipped grease seal
- Tapered roller bearings



UNIT MOUNT COULTER (base unit)		
Part No.	Description	Weight
204-619K	UMC Assembly - Fits Great Plains 25 Series (15")	27 lbs.
204-660K	UMC Assembly - Fits Great Plains 30 Series (15")	40 lbs.
204-123L	RH - Fits Great Plains (Except YP), John Deere Maximerge / Maximerge Plus	45 lbs.
204-128L	RH - Fits John Deere 7000, 7100, Kinze and White 6100	45 lbs.
204-129L	LH - Fits John Deere 7000, 7100, Kinze and White 6100	45 lbs.
204-130L	LH - Fits Great Plains (Except YP), John Deere Maximerge / Maximerge Plus	45 lbs.

Note: Price of blades and spring packages are not included in base unit. Order one of each to complete coulters.

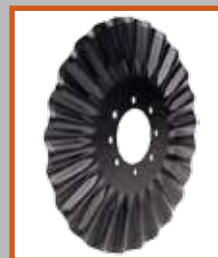
COULTER BLADES		
Part No.	Description	Weight
820-018C	Narrow Fluted Blade - 17"	9 lbs.
820-082C	3/4" 12 Wave Blade - 17"	12 lbs.
820-156C	5/8" Turbo Coulters Blade (Patented) - 17"	12 lbs.
820-205C	5/8" Turbo Coulters Blade (Patented) - 16"	11 lbs.
820-326C	Coulters Blade (Fluted) - 16"	8 lbs.
820-327C	Coulters Blade (Turbo) - 15"	11 lbs.
820-331C	Coulters Blade (Fluted) - 15"	7 lbs.



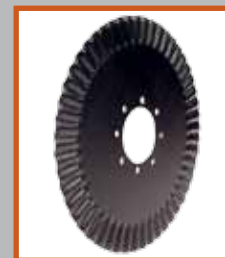
Turbo Coulters



3/4" X 17"  
12 Flutes



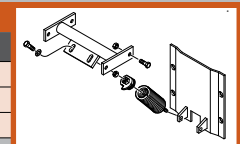
5/8" X 17"  
24 Flutes



5/16" X 17"  
50 Flutes

SPRING PACKAGE		
Part No.	Description	Weight
204-006K*	Spring Package - Fits John Deere 7000, 7100 and Kinze	30 lbs.
204-113K	Spring Package - Fits John Deere 7200, 7300	30 lbs.

\*Note: Spring package adds up to 300 pounds of additional down pressure and is required in most no-till conditions.



If space is restricted for mounting units on toolbar, see page 14 for extension brackets.