

# VANTAGE I-20 FERTILIZER COULTER

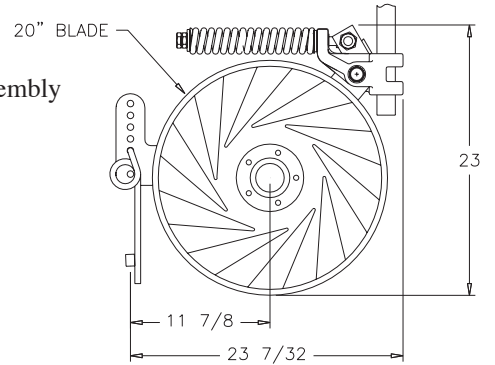
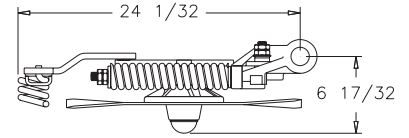
AVAILABLE TO FIT VIRTUALLY ANY TOOLBAR!

Not recommended for Planters.



### Features

- For low pressure fertilizer injection
- Heavy Duty 20" design for application of liquid fertilizer for toolbars
- Increased Down-Pressure
  - 480 pounds preload
  - 1100 pounds maximum
- Heavy-Duty swivel casting and spring assembly
- Heavy-Duty greasable hub
- Double-Lipped grease seal
- Tapered roller bearings
- Swivel Capability
- Steel swivel limit collar
- Non-Plugging coil tine applicator
  - Eliminates troublesome knife
- Stainless steel nozzle assembly
- Can be used with any type of pump



### Vantage I-20 Fertilizer Coulter (base unit)

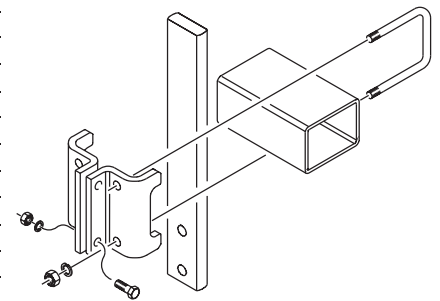
Part No.	Description	Weight
204-324L	Utility Coulter RH only – Add one of the following fertilizer kits for Vantage 1-20	46 lbs.
	Order nozzles separately on page 15 <b>Note:</b> To add Terra Tine see Page 11.	
<b>Note:</b> Price of blades, clamp kits, shanks and nozzles are not included in base unit. Order one of each to complete coulter.		

### Coulter Blades

Part No.	Description	Weight
820-074C	Narrow Fluted Blade – 20"	15 lbs.
820-115C	1" 13 Wave Blade – 20"	17 lbs.
820-180C	5/8" Turbo Coulter Blade (Patented) – 20"	17 lbs.

### Mounting Clamp Kits

Part No.	Description	Weight
204-017K	Fits 2.5" X 2.5" square bar	9 lbs.
204-018K	Fits 2" w X 6" h bar	12 lbs.
204-019K	Fits 3" X 3" diamond bar	16 lbs.
204-020K	Fits 3.5" X 3.5" diamond bar	17 lbs.
204-021K	Fits 4" X 4" square bar	11 lbs.
204-022K	Fits 3" w X 7" h bar	13 lbs.
204-023K	Fits 5" w X 7" h bar	14 lbs.
204-024K	Fits 7" X 7" square bar	14 lbs.
204-053K	Fits 3" w X 4" h bar	10 lbs.
204-054K	Fits 6" w X 4" h bar	11 lbs.
204-064K	Fits 3" X 3" square bar	9 lbs.
204-340K	Fits 3" w X 6" h bar	12 lbs.

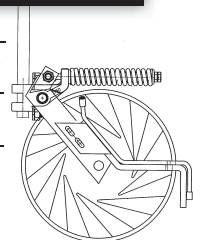


### Shank Length

Part No.	Description	Weight
204-013D	1 1/2" X 26" Straight Shank	13 lbs.
204-026D	1 1/2" X 22" Straight Shank	11 lbs.
820-132C	1 1/2" X 22" - 5" Offset Shank	13 lbs.
820-133C	1 1/2" X 26" - 5" Offset Shank	15 lbs.
820-183C	1 1/2" X 22" - 7" Offset Shank	17 lbs.

### Vantage I-20 Fertilizer Coulter Conversion Kits

Part No.	Description	Weight
204-409K	Clamp-on Fertilizer Conversion Kit - Anhydrous	18 lbs.
204-433K	Bolt-On Fertilizer Conversion Kit - Liquid	33 lbs.
204-435K	Rod Style Fertilizer Conversion Kit	lbs.



If space is restricted for mounting units on toolbar, see page 14 for extension brackets.