

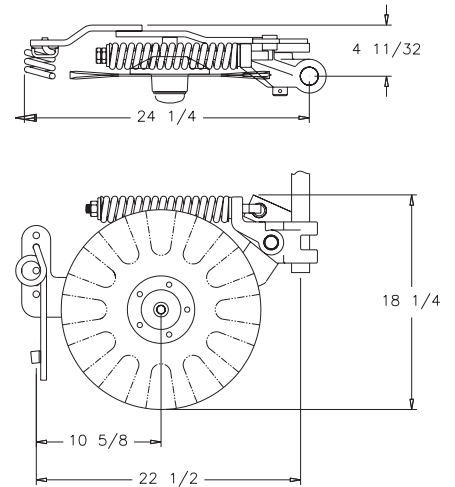
# VANTAGE I FERTILIZER COULTER

AVAILABLE TO FIT VIRTUALLY ANY PLANTER OR TOOLBAR!



## Features

- For low pressure fertilizer injection
- Increased Down-Pressure
  - 480 pounds preload
  - 1100 pounds maximum
- Heavy-Duty swivel casting and spring assembly
- Heavy-Duty greasable hub
- Double-Lipped grease seal
- Tapered roller bearings
- Swivel Capability
- Steel swivel limit collar
- Non-Plugging coil tine applicator
- Stainless steel nozzle assembly
- Can be used with any type of pump
- On row or off row application
- Can be used in conjunction with Great Plains Terra-Tine



## Vantage I Fertilizer Coulter (base unit)

Part No.	Description	Weight
204-368L	Vantage I Fertilizer Coulter RH	60 lbs.
204-369L	Vantage I Fertilizer Coulter LH	60 lbs.

Order nozzles separately on page 15      **Note:** To add Terra-Tine see Page 11.

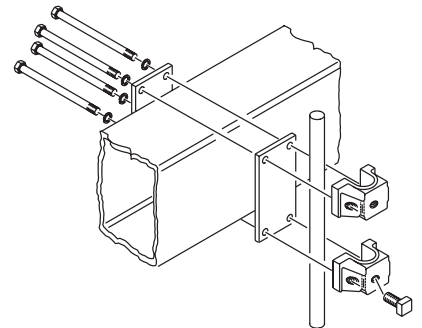
**Note:** Price of blades, clamp kits, shanks and nozzles are not included in base unit. Order one of each to complete coulter.

## Coulter Blades

Part No.	Description	Weight
820-018C	Narrow Fluted Blade - 17"	9 lbs.
820-082C	3/4" 12 Wave Blade - 17"	12 lbs.
820-156C	5/8" Turbo Coulter Blade (Patented) - 17"	12 lbs.
820-215C	5/8" Turbo Coulter Blade (Patented) - 18"	14 lbs.
820-220C	18" 3/4 Wave Coulter Blade	14 lbs.

## Mounting Clamp Kits

Part No.	Description	Weight
204-017K	Fits 2.5" X 2.5" square bar	9 lbs.
204-018K	Fits 2" w X 6" h bar	12 lbs.
204-019K	Fits 3" X 3" diamond bar	16 lbs.
204-020K	Fits 3.5" X 3.5" diamond bar	17 lbs.
204-021K	Fits 4" X 4" square bar	11 lbs.
204-022K	Fits 3" w X 7" h bar	13 lbs.
204-023K	Fits 5" w X 7" h bar	14 lbs.
204-024K	Fits 7" X 7" square bar	14 lbs.
204-053K	Fits 3" w X 4" h bar	10 lbs.
204-054K	Fits 6" w X 4" h bar	11 lbs.
204-060K	Fits 2" w X 4" h bar	11 lbs.
204-064K	Fits 3" X 3" square bar	9 lbs.
204-340K	Fits 3" w X 6" h bar	12 lbs.



## Shank Length

Part No.	Description	Weight
204-013D	1 1/2" X 26" Straight Shank	13 lbs.
204-024D	1 1/2" X 12 5/8" Straight Shank	6 lbs.
204-025D	1 1/2" X 16" Straight Shank	8 lbs.
204-026D	1 1/2" X 22" Straight Shank	11 lbs.
820-132C	1 1/2" X 22" - 5" Offset Shank	13 lbs.
820-133C	1 1/2" X 26" - 5" Offset Shank	15 lbs.
820-183C	1 1/2" X 22" - 7" Offset Shank	17 lbs.

## Vantage I Fertilizer Coulter Conversion Kits

Part No.	Description
204-440K	Vantage I LH Liq. Fertilizer (ROD)
204-441K	Vantage I RH Liq. Fertilizer (ROD)

