

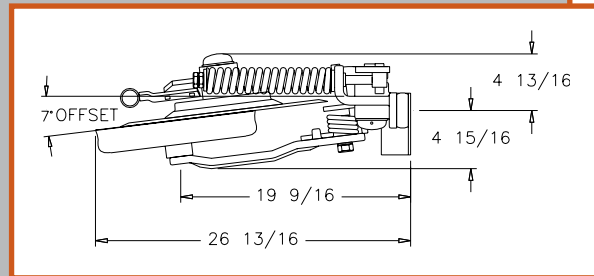
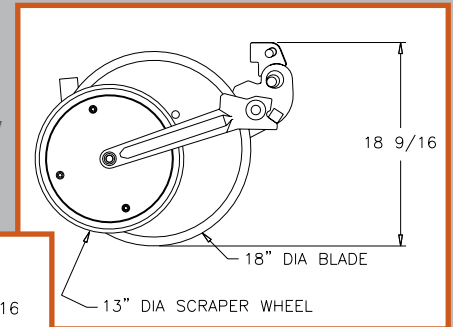
Vantage II Fertilizer Coulter

Available to fit virtually any planter or toolbar!



Features

- Can be used for liquid or dry fertilizer
- Designed for applications of fertilizer in no-till, minimum-till and conventional planting conditions
- Eliminates constant plugging and adjustments
- Increased Down Pressure
 - 430 pounds preload
 - 1100 pounds maximum
- Spring-Loaded wiper wheel
- Arm pivot utilizes hub assembly with tapered roller bearings
- Heavy Duty 18" smooth coulter blade
- Heavy Duty casting and spring assembly
- Heavy Duty greasable hub
- Double-Lipped grease seal



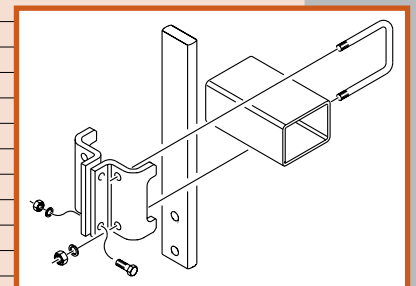
VANTAGE II FERTILIZER COULTER (base unit)

Part No.	Description	Weight
204-218L	Vantage II Fertilizer Coulter RH	93 lbs.
204-219L	Vantage II Fertilizer Coulter LH	93 lbs.
890-580C	Vantage II Liquid Insert	1 lbs.

Note: Price of clamp kits and shanks are not included in base unit. Order one of each to complete coulter

MOUNTING CLAMP KITS

Part No.	Description	Weight
204-220K	Fits 2.5" X 2.5" square bar	6 lbs.
204-221K	Fits 3" X 3" square bar	6 lbs.
204-222K	Fits 4" X 4" square bar	8 lbs.
204-223K	Fits 2" w X 6" h bar	13 lbs.
204-224K	Fits 7" X 7" square bar	11 lbs.
204-225K	Fits 3" X 3" diamond bar	16 lbs.
204-226K	Fits 3.5" X 3.5" diamond bar	18 lbs.
204-227K	Fits 6" w X 4" h bar	8 lbs.
204-228K	Fits 5" w X 7" h bar	11 lbs.
204-243K	Fits 3" w X 7" h bar	10 lbs.
204-244K	Fits 3" w X 4" h bar	9 lbs.
204-341K	Fits 3" w X 6" h bar	9 lbs.



SHANK LENGTH

Part No.	Description	Weight
807-124C	21" Flat Shank Also can be used as a 16° angle mount for toolbars	19 lbs.
807-297C	Angled Coulter Shank	21 lbs.
820-181C*	Vantage II 5" Offset Flat Shank - RH	14 lbs.
820-182C*	Vantage II 5" Offset Flat Shank - LH	14 lbs.

*Note: For use on White front fold planters