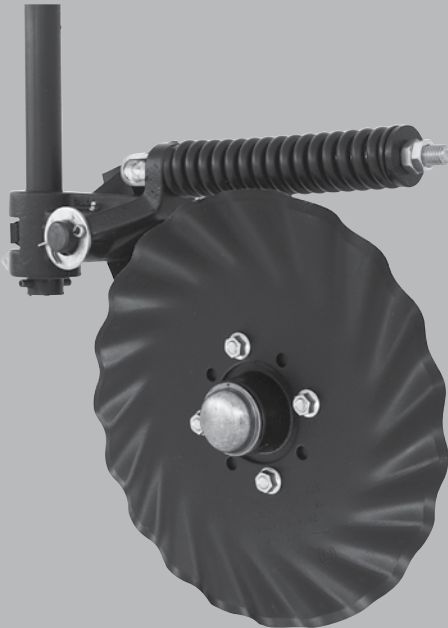


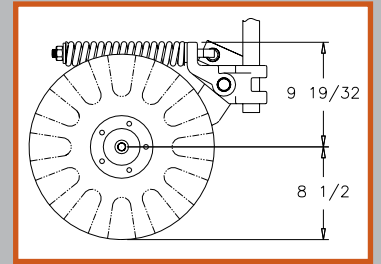
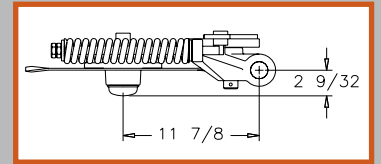
# Zone Coulters

Available to fit virtually an planter or toolbar!



## Features

- Available in right and left hand coulters
- Increased Down Pressure
  - 480 pounds preload
  - 1100 pounds maximum
- Heavy Duty swivel casting and spring assembly
- Heavy Duty greasable hub
- Double-Lipped grease seal
- Tapered roller bearings
- Swivel Capability
- Steel swivel limit collar
- Easily converts to a Vantage I



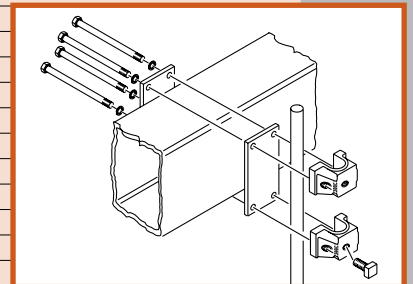
ZONE COULTER (base unit)		
Part No.	Description	Weight
204-417K	Zone Coulters RH	44 lbs.
204-418K	Zone Coulters LH	44 lbs.
204-593K	15" Short Zone Till Coulters LH	46 lbs.
204-594K	15" Short Zone Till Coulters RH	46 lbs.
204-602K	YP Front Row Zone Coulters LH - 15"	44 lbs.
204-603K	YP Front Row Zone Coulters RH - 15"	44 lbs.

Note: Price of blades, clamp kits, and shanks are not included in base unit. Order one of each to complete coulters.

COULTER BLADES		
Part No.	Description	Weight
820-018C	Narrow Fluted Blade - 17"	9 lbs.
820-082C	3/4" 12 Wave Blade - 17"	12 lbs.
820-156C	5/8" Turbo Coulters Blade (Patented) - 17"	12 lbs.
820-205C	5/8" Turbo Coulters Blade (Patented) - 16"	11 lbs.
820-215C	5/8" Turbo Coulters Blade (Patented) - 18"	14 lbs.
820-220C	18" 3/4 Wave Coulters Blade	14 lbs.
820-326C	Coulters Blade (Fluted) - 16"	8 lbs.
820-327C	Coulters Blade (Turbo) - 15"	11 lbs.
820-331C	Coulters Blade (Fluted) - 15"	7 lbs.

For nozzles, see page 15.

MOUNTING CLAMP KITS		
Part No.	Description	Weight
204-017K	Fits 2.5" X 2.5" square bar	9 lbs.
204-018K	Fits 2" w X 6" h bar	12 lbs.
204-019K	Fits 3" X 3" diamond bar	16 lbs.
204-020K	Fits 3.5" X 3.5" diamond bar	17 lbs.
204-021K	Fits 4" X 4" square bar	11 lbs.
204-022K	Fits 3" w X 7" h bar	13 lbs.
204-023K	Fits 5" w X 7" h bar	14 lbs.
204-024K	Fits 7" X 7" square bar	14 lbs.
204-053K	Fits 3" w X 4" h bar	10 lbs.
204-054K	Fits 6" w X 4" h bar	11 lbs.
204-060K	Fits 2" w X 4" h bar	10 lbs.
204-064K	Fits 3" X 3" square bar	9 lbs.
204-340K	Fits 3" w X 6" h bar	12 lbs.
204-355K	Fits 4" w X 6" h bar	20 lbs.
204-623K	Fits 3" w X 5" bar	11 lbs.



SHANK LENGTH		
Part No.	Description	Weight
820-132C	1 1/2" X 22" - 5" Offset Shank	13 lbs.
820-133C	1 1/2" X 26" - 5" Offset Shank	15 lbs.
820-183C	1 1/2" X 22" - 7" Offset Shank	17 lbs.
204-024D	1 1/2" X 12 5/8" Straight Shank	6 lbs.
204-025D	1 1/2" X 16" Straight Shank	8 lbs.
204-026D	1 1/2" X 22" Straight Shank	11 lbs.
204-449D	1 1/2" X 14" Straight Shank	7 lbs.

ZONE COULTERS TO VANTAGE I CONVERSION KIT					
Part No.	Description	Weight	Part No.	Description	Weight
204-377K	Bolt-On Fertilizer Tine Kit RH	19 lbs.	204-231K	Fert Drop Extn (Clamp) RH	16 lbs.
204-378K	Bolt-On Fertilizer Tine Kit LH	19 lbs.	204-323K	Fert Drop Extn (Clamp) LH	16 lbs.
			204-440K	Vantage I LH Liquid Fertilizer (ROD)	6 lbs.
			204-441K	Vantage I RH Liquid Fertilizer (ROD)	6 lbs.
			204-606K	Vantage I Liquid Fertilizer Std Coulters 15" LH	10 lbs.
			204-607K	Vantage I Liquid Fertilizer Std Coulters 15" RH	10 lbs.

If space is restricted for mounting units on toolbar, see page 14 for extension brackets.