

# FEATURES & BENEFITS



**FOLDING SYSTEM** - Improved fold system with heavier hinges on both inside and outside wings.



**SHANK IMPROVEMENT** - Improved shank spacing around tires and throughout the machine with no shanks closer than 28" on entire implement.



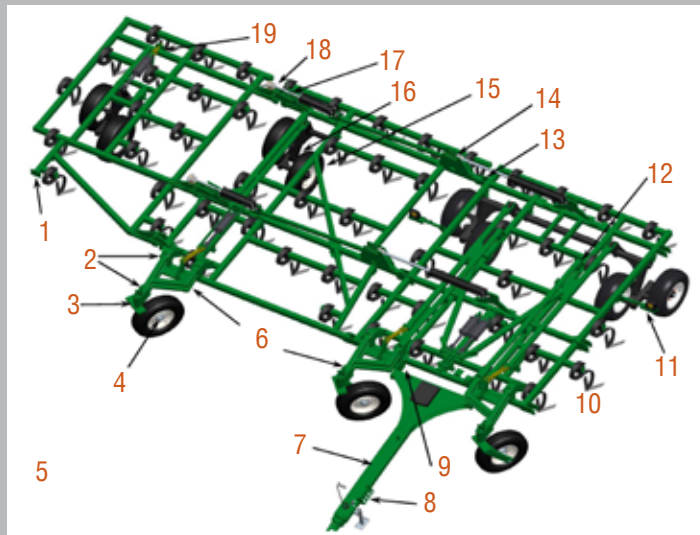
**LOW PROFILE HITCH** - New low profile hitch with heavy duty ball joint attachment and convenient hose storage area.

## Cultivating Change

Several changes and enhancements were made to the 8000 Series Field Cultivator to make a good unit even better! Shank spacing throughout the machine especially around tires has been improved, ensuring no shanks are closer than 28". The hinges and fold system have also been, "Beefed Up" making folding and unfolding smoother and more reliable. Heavier 6-bolt hubs are used in all locations on all models and

the tongue is now low profile and "single pole" to allow tighter turns without interference with the tractor's 3-point hitch quick coupler. On floating hitch models the wing wheels are moved back for better balance and allows heavier harrow attachment without having negative tongue weight. Caster wheel design has been improved for better reliability and the pivot points are now maintenance free.

### 8000 Series Improvements



#### 8000 Series Improvements

- |   |  |
|---|--|
| 1) Plate to Mount Gauge Wheel                             | 11) Improved Light Package   |
| 2) Maintenance Free Pivot Points                          | 12) Integrated Rear Hitch Common w/ Discovator & Same for All Drag Attachments |
| 3) Improved Caster Pivot Design                           | 13) Heavier Hinge Plates   |
| 4) All 6-Bolt Hubs Are Heavy 4500# Same as Discovator     | 14) Slot Fold System Versus Rocker Bracket                                     |
| 5) Better Balance to Handle Heavier Attachments           | 15) Moved Inside Wing Wheels Back for Floating Hitch Machines                  |
| 6) Common Turnbuckles & Gauge Wheel Assemblies            | 16) Heavier Wing Wheel Arms  |
| 7) Modified Low Profile Hitch                             | 17) Improved Fold System   |
| 8) Convenient Hose Storage                                | 18) Heavier Hinges on Outside Wings  |
| 9) Ball Joint Attachment Point at Rear of Hitch           | 19) Easier Wing Wheel Adjustment   |
| 10) Improved Shank Spacing with No Shanks Closer Than 28" |  |



## ATTACHMENTS



3 Row Spike & Reel



Hi Residue 4-Bar Spike or 5-Bar (Std.)



4 Row Coil Tine/3 Coil Tine & Reel



**MODELS** 8323FC, 8328FC,  
8332FC, 8336FC,  
8539FC, 8544FC,  
8548FC, 8551FC,  
8556FC, 8560FC



8000 Series Field Cultivator 8548FC Model Shown

