

Installation Instructions



EWNT7 and 705 Harrow Option

Used with:

- EWNT7
- 705



When you see this symbol, the subsequent instructions and warnings are serious - follow without exception. Your life and the lives of others depend on it!

General Information

These instructions explain how to install the optional spring-tine harrow. Mounted behind the drill, the harrow evenly distributes crop residue in no-till conditions.

These instructions apply to:

116-072A EWNT7 & 705 CPH HARROW

Manual Update

Refer to the drill operator's manual for detailed information on safely operating, adjusting, troubleshooting and maintaining the spring-tine harrow. Refer to the parts manual for part identification.

- EWNT7 Operator's Manual 150-082M-A or 150-082M
- EWNT7 Parts Manual 150-082P
- 705 Operator's Manual 150-213M
- 705 Parts Manual 150-213P

Before You Start

Page 3 is a detailed listing of parts included in the spring-tine harrow package. Use this list to inventory parts received.

Assembly Instructions

Refer to Figure 1.

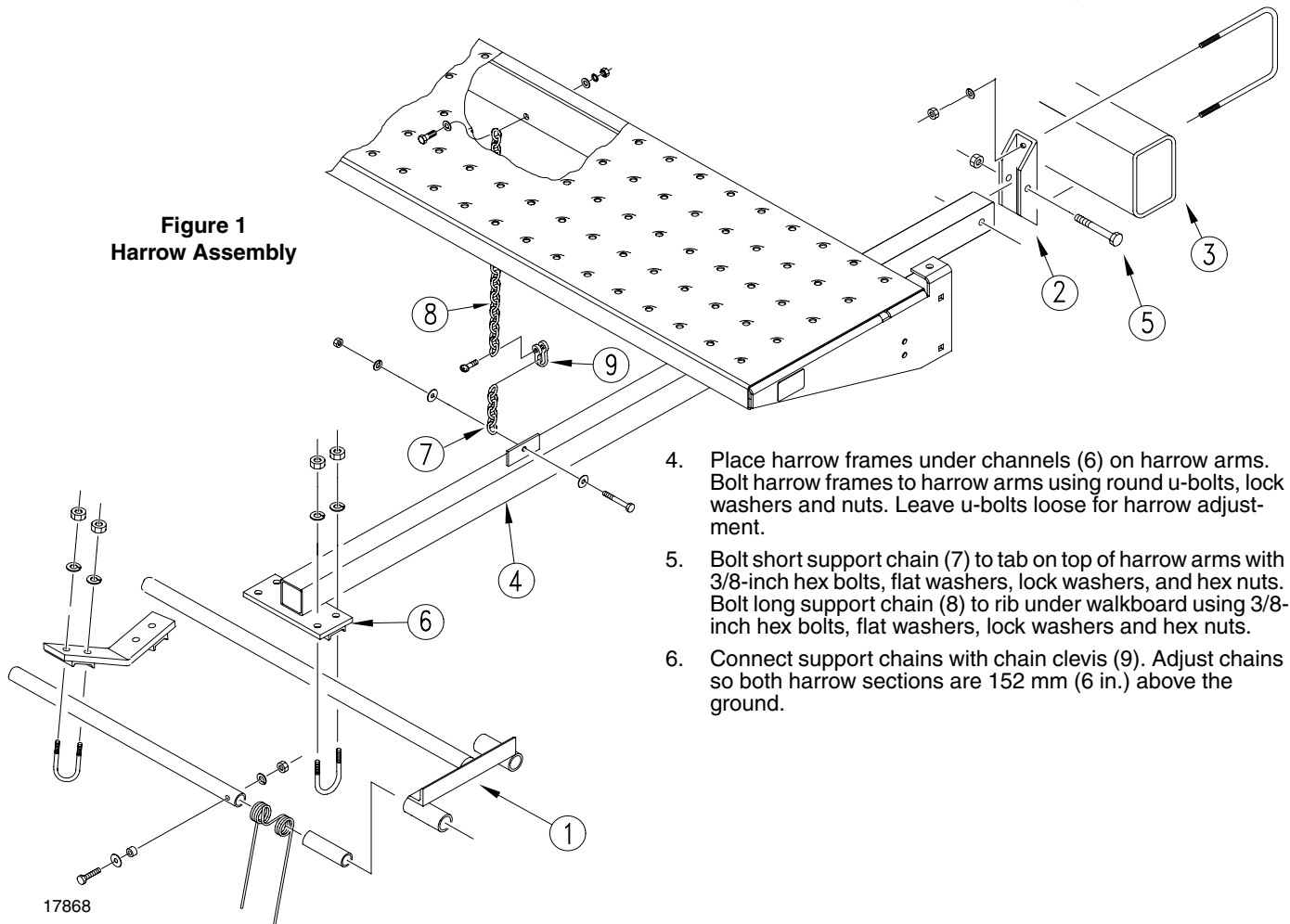
1. Lower drill into field position. Place harrow frames (1) behind drill.
2. Mount hinge brackets (2) on 4-by-6-inch frame tube (3) on drill. Position hinge brackets so harrow arms (4) will be close to the ends of harrow frames. Center hinge brackets between drill openers.

IMPORTANT: Position hinge brackets so drill openers do not contact harrow arms during drill operation. Exact location of hinge brackets on frame tube will differ with drill row spacing.

Attach hinge brackets to frame tube using square u-bolts, lock washers and nuts as shown.

3. Install harrow arms (4) in hinge brackets so arms pivot on 1/2-inch bolts (5). Secure bolts with nylock nuts.

Figure 1
Harrow Assembly



4. Place harrow frames under channels (6) on harrow arms. Bolt harrow frames to harrow arms using round u-bolts, lock washers and nuts. Leave u-bolts loose for harrow adjustment.
5. Bolt short support chain (7) to tab on top of harrow arms with 3/8-inch hex bolts, flat washers, lock washers, and hex nuts. Bolt long support chain (8) to rib under walkboard using 3/8-inch hex bolts, flat washers, lock washers and hex nuts.
6. Connect support chains with chain clevis (9). Adjust chains so both harrow sections are 152 mm (6 in.) above the ground.

Harrow Adjustment

Figure 1 shows one harrow setting that has been successful in no- and minimum-till conditions. Because of different soil moisture, trash levels and trash types, you may need to reposition the tube frame or tines.

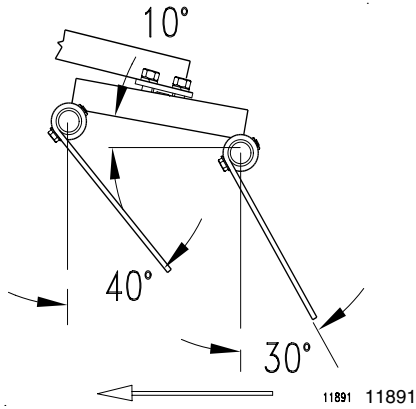


Figure 1
Harrow Tines

To adjust frame tube, refer to Figure 2. Loosen four hex nuts (1) on u-bolts and rotate frame tube (2).

To adjust tines, loosen four 1/2-inch hex nuts (3) on 1/2-inch u-bolts (4) on support bar (5). Rotate tine tubes (6) so tines (7) are against stop bushings (8) and are at desired angle. Retighten hex nuts on u-bolts.

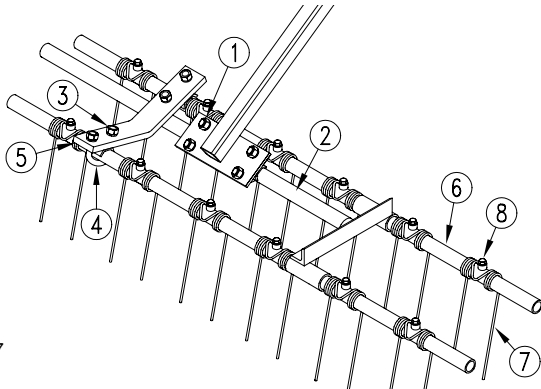


Figure 2
Harrow Adjustment

Listing of Parts**116-072A EWNT7 & 705 HARROW***Your Kit Includes:*

Qty.	Part No.	Part Description
2	116-062H	CENTER BRACE WELDMENT
1	116-066H	14' FRAME WELDMENT
1	116-109M	MANUAL 7' & 10' EWNT HARROW
2	116-116D	14' TINE TUBE
2	116-122D	HARROW HINGE BRACKET
2	116-124D	NO-TILL SUPPORT CHAIN LONG
2	116-125D	NO-TILL SUPPORT CHAIN SHOR
2	116-192H	NO-TILL HARROW HANGER ARM
4	802-022C	HHCS 3/8-16X1 1/2 GR5
22	802-138C	HHCS 5/16-18X2 1/4 GR5
2	802-226C	HHCS 1/2-13X2 3/4 GR5
8	803-014C	NUT HEX 3/8-16 PLT
16	803-020C	NUT HEX 1/2-13 PLT
22	803-084C	NUT HEX NYLOCK 5/16-18 PLT
2	803-147C	NUT HEX NYLOCK 1/2-13
22	804-010C	WASHER FLAT 5/16 USS PLT
8	804-012C	WASHER FLAT 3/8 SAE PLT
4	804-013C	WASHER LOCK SPRING 3/8 PLT
16	804-015C	WASHER LOCK SPRING 1/2 PLT
8	806-046C	U-BOLT 1/2-13 X 1 3/8X2 3/
2	806-051C	U-BOLT 3/8-16 X 6 1/32 X 7
22	807-079C	SPRING HARROW DBL TORSION
1	813-010C	7 FT HARROW PALLET
2	890-178C	SCREW PIN ANCHOR SHACKLE
22	890-351C	BUSHING 5/8 OD X 11/32 ID