



20ft and 25ft Side Shift Hitch Option 20ft & 25ft 3PT Drills

Used with:

- 2020F & 2520F
- 2025P & 2525P
- 2025F & 2525F
- 2025A & 2525A
- 2020P & 2520P
- 2510HDP & 2510HDF



When you see this symbol, the subsequent instructions and warnings are serious - follow without exception. Your life and the lives of others depend on it!

General Information

These instructions explain how to install a 20ft or 25ft Side Shift Hitch Option. This kit re-centers an implement that has been converted from twin row to single row operation. One kit updates one drill:

Kit	Kit Description
117-192A	SIDE SHIFT HITCH BDL 25FT
117-193A	SIDE SHIFT HITCH BDL 20FT

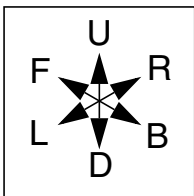
Tools Required

- basic hand tools

Work Location

Move the implement to a flat/clean surface for installation.

Notations and Conventions



“Left” and “Right” are facing in the direction of machine travel. An orientation rose in the line art illustrations shows the directions of Left, Right, Front, Back, Up, Down.

Call-Outs

- (11) to (49) Two-digit callouts in the range 11 to 49 reference new parts from the lists on page 4 and page 5.

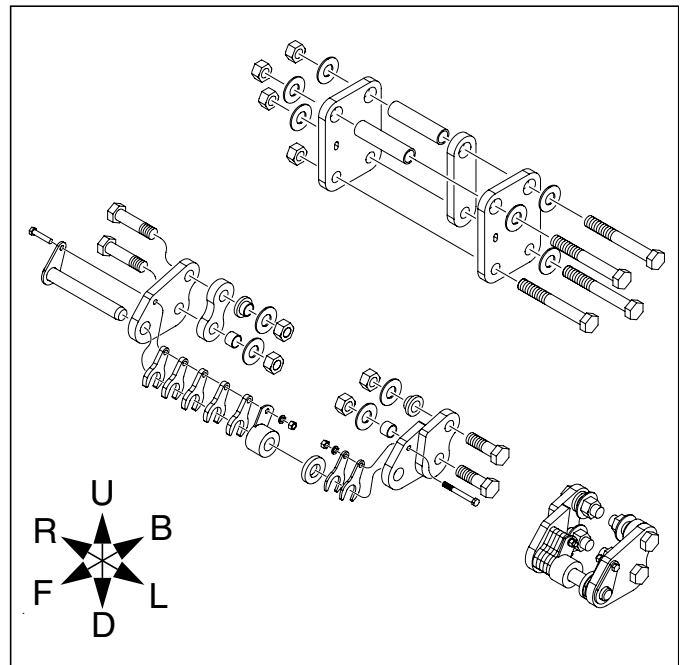


Figure 1
25 ft. Side Shift Hitch

31121

20ft and 25ft Side Shift Hitch Options

⚠ DANGER

Crushing Hazard:

Do not stand or place any body part between drill and moving tractor. You may be severely injured or killed by being crushed between the tractor and drill. Stop tractor engine and set parking brake before attaching cables and hoses.



3-Point Hitching

Refer to Figure 2 and Figure 3

The left and right arms of the tractor 3-point hitch are secured and prevented from shifting laterally.

The objective is to offset the drill center-line with the tractor center-line.

- This kit includes several spacers to position and secure the left and right arms of the 3-point hitch:
 - ① 401-630H SPACER 3 PT 1 1/2 X 2
 - ② 411-442D LOWER 3PT PIN SPACER 1/2 THK
 - ③ 411-448D LOWER 3PT PIN SPACER 1/4 THK
 - ④ 411-449D TUBE 3" X 1 1/2" X 1/2" LONG
- The tube spacers (① and ④) are always used, and are typically positioned on the right and left of the tractor hitch arm.
- Insert open-end spacers (② and ③) to the left of the smaller tube spacer ④ to achieve center-line alignment.
- Add a combination of the remaining spacers to eliminate any slack space on the pin, and minimize side-to-side play during operations.
- Secure both sets of spacers with the provided 1/2-13 bolts, lock washers and nuts.

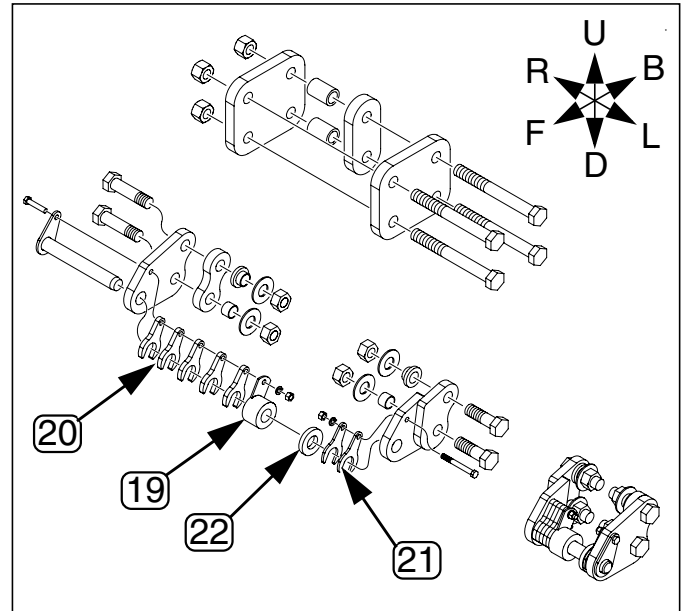


Figure 2
20ft Side Shift Hitch Bundle

31120

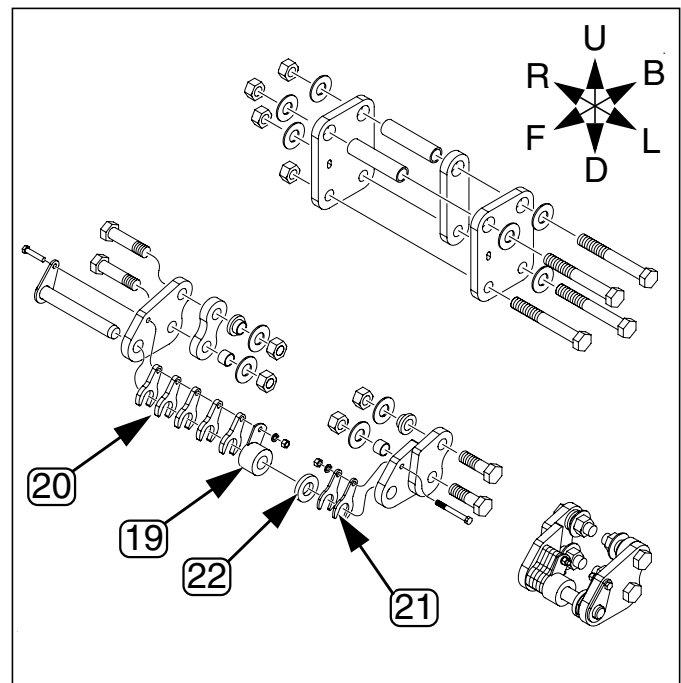


Figure 3
25ft Side Shift Hitch Bundle

31121

20ft. Hitch to Frame

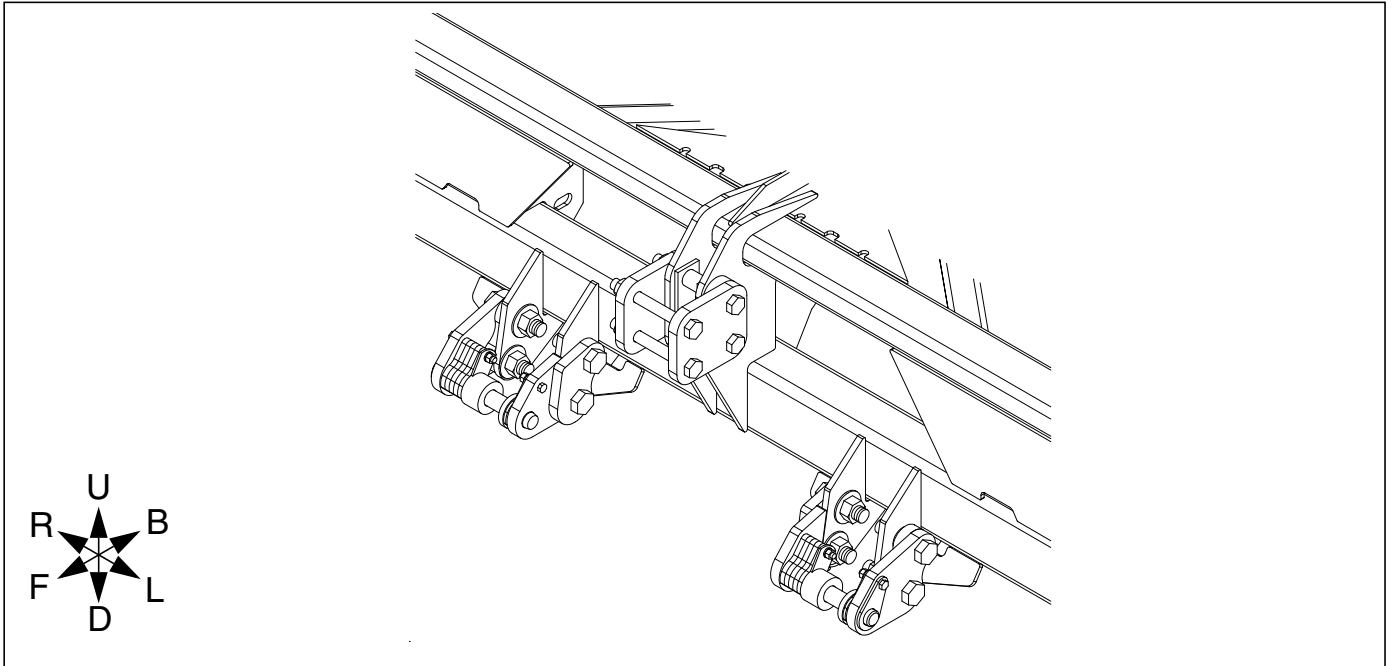


Figure 4
20ft Hitch to Frame

31122

25ft. Hitch to Frame

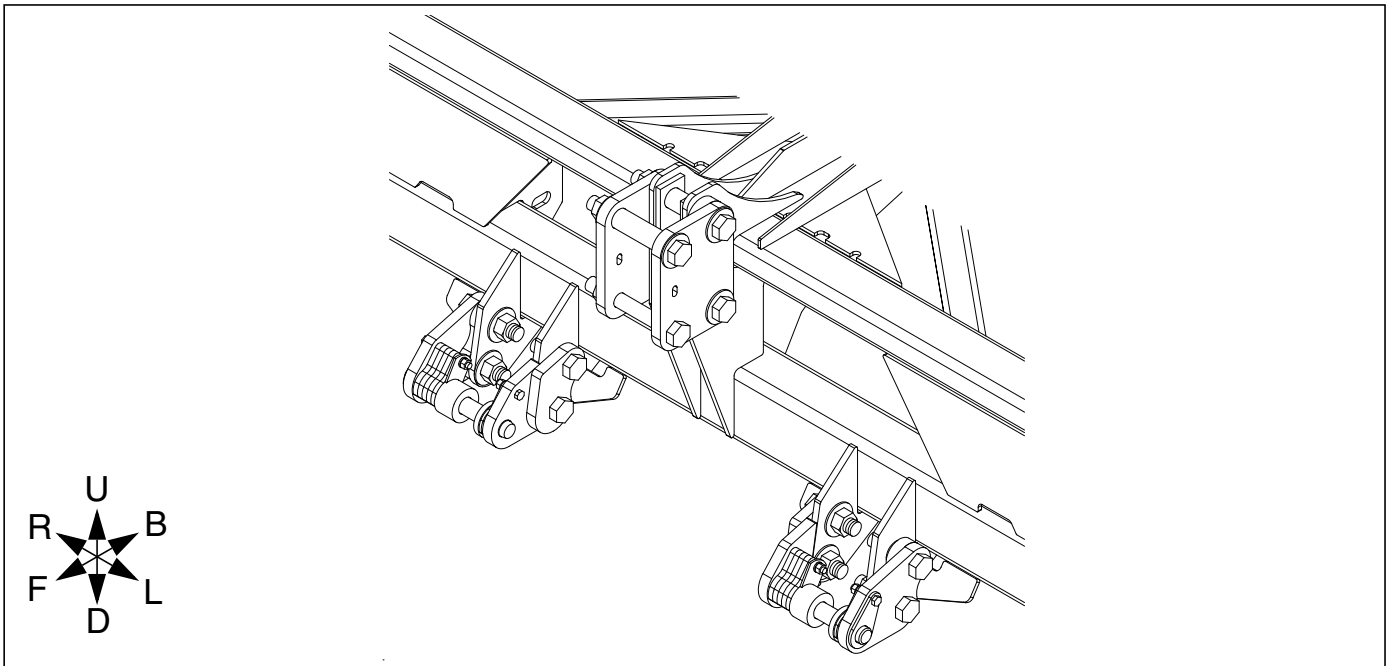


Figure 5
25ft Hitch to Frame

31123

Parts List (117-193A SIDE SHIFT HITCH BDL 20FT)

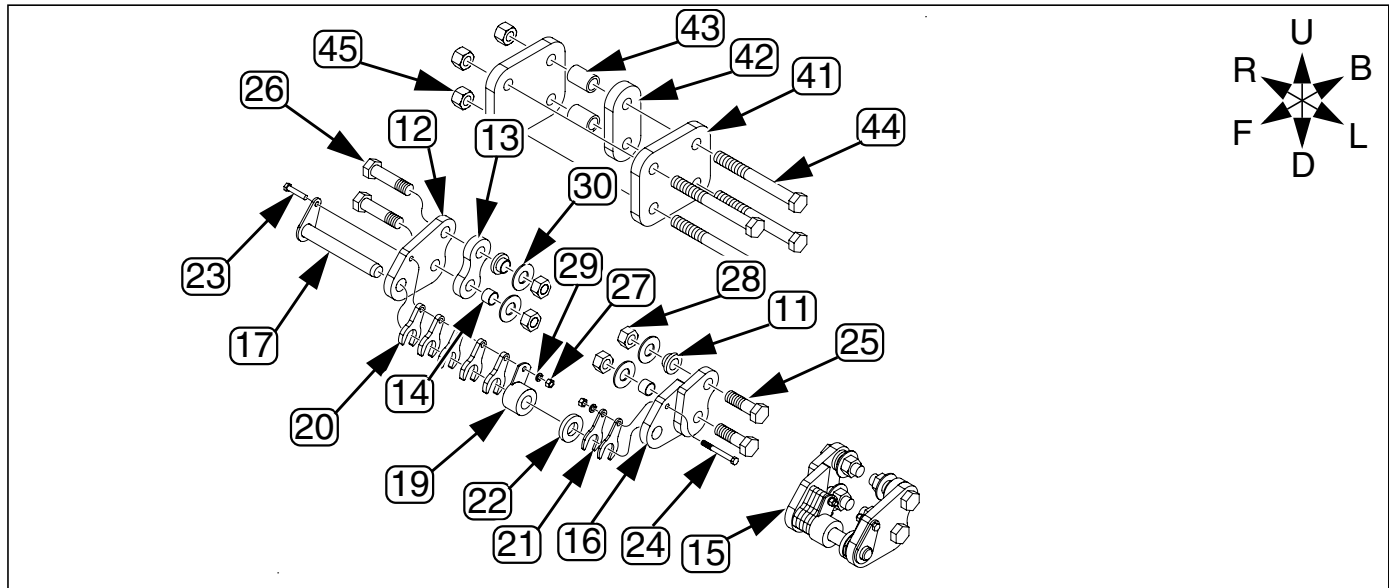


Figure 6
117-193A SIDE SHIFT HITCH BDL 20FT

31120

The part call-out numbers in this list match all Figures in these installation instructions. Part descriptions match those in your updated Parts Manual. Quantities are units (“ea”).

Kit Contents: 117-193A 20ft Side Shift Hitch Bundle

Callout	Quantity	Part Number	Part Description
11	4	117-062D	SIDESHIFT LWR INSIDE SPACER
12	2	117-063D	SIDESHIFT LWR OUTSIDE MNT PLT
13	2	117-064D	SIDESHIFT LWR OUTSIDE MNT SPCR
14	4	117-066D	SIDESHIFT LOWER MNT PIN BUSH
15	1	117-189H	SIDESHIFT LWR INSIDE MNT LH
16	1	117-190H	SIDESHIFT LWR INSIDE MNT RH
17	2	117-191H	PIN HITCH 1 7/16 X 10 GOOD LEN
18	1	117-197M	MANUAL 20' & 25' SIDE SHIFT
19	2	401-630H	SPACER 3 PT 1 1/2 X 2
20	10	411-442D	LOWER 3PT PIN SPACER 1/2 THK
21	4	411-448D	LOWER 3PT PIN SPACER 1/4 THK
22	2	411-449D	TUBE 3" X 1 1/2" X 1/2" LONG
23	2	802-130C	HHCS 1/2-13X2 1/2 GR5
24	2	802-249C	HHCS 1/2-13X4 1/2 GR5 SPTHD
25	4	802-298C	HHCS 1 1/4-7X4 GR5
26	4	802-912C	HHCS 1 1/4-7X5 GR5
27	4	803-020C	NUT HEX 1/2-13 PLT
28	8	803-081C	NUT HEX 1 1/4-7 NYLON INSERT
29	4	804-015C	WASHER LOCK SPRING 1/2 PLT
30	8	804-035C	WASHER FLAT 1 1/4 USS PLT
41	2	117-068D	SIDESHIFT CTR MNT PLT 20FT
42	1	117-069D	SIDESHIFT CTR MNT SPACER 20FT
43	2	117-070D	SIDESHIFT MNT UPR SPCR TB 20FT
44	4	802-783C	HHCS 1-8X9 GR8 PLT
45	4	803-038C	NUT HEX 1-8 NYLON INSERT PLT

Parts List (117-192A SIDE SHIFT HITCH BDL 25FT)

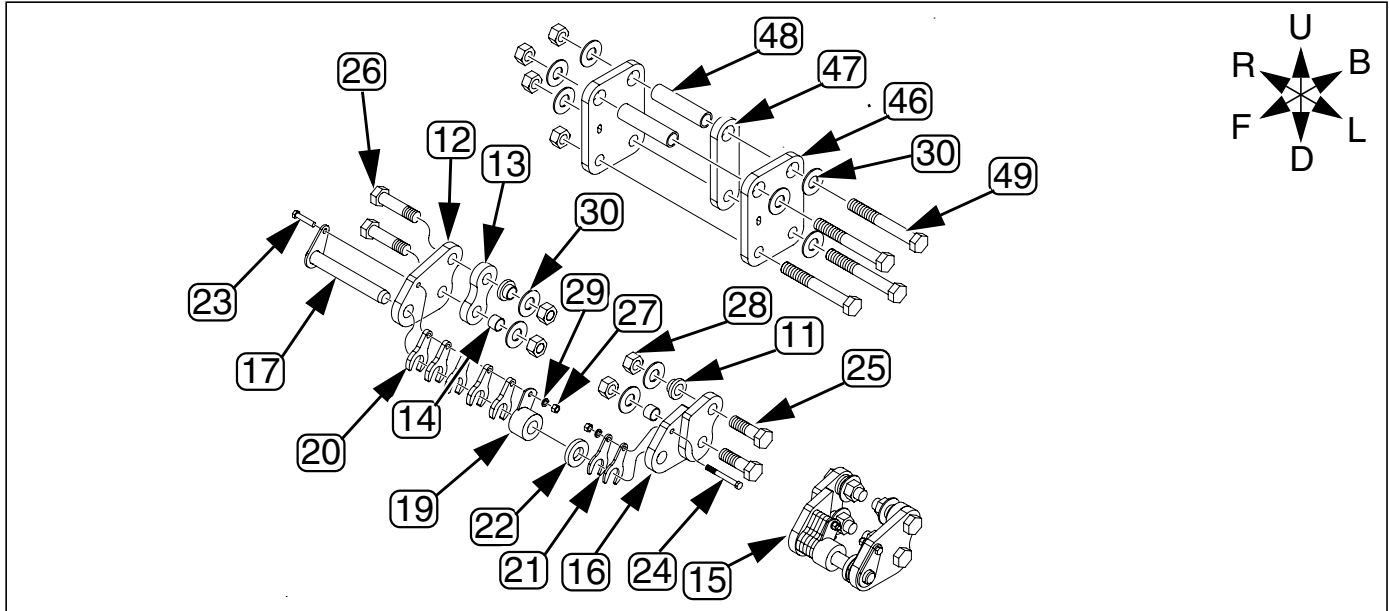


Figure 7
117-192A SIDE SHIFT HITCH BDL 25FT

31121

The part call-out numbers in this list match all Figures in these installation instructions. Part descriptions match those in your updated Parts Manual. Quantities are units ("ea").

Kit Contents: 117-192A 20ft Side Shift Hitch Bundle

Callout	Quantity	Part Number	Part Description
11	4	117-062D	SIDESHIFT LWR INSIDE SPACER
12	2	117-063D	SIDESHIFT LWR OUTSIDE MNT PLT
13	2	117-064D	SIDESHIFT LWR OUTSIDE MNT SPCR
14	4	117-066D	SIDESHIFT LOWER MNT PIN BUSH
15	1	117-189H	SIDESHIFT LWR INSIDE MNT LH
16	1	117-190H	SIDESHIFT LWR INSIDE MNT RH
17	2	117-191H	PIN HITCH 1 7/16 X 10 GOOD LEN
18	1	117-197M	MANUAL 20' & 25' SIDE SHIFT KIT
19	2	401-630H	SPACER 3 PT 1 1/2 X 2
20	10	411-442D	LOWER 3PT PIN SPACER 1/2 THK
21	4	411-448D	LOWER 3PT PIN SPACER 1/4 THK
22	2	411-449D	TUBE 3" X 1 1/2" X 1/2" LONG
23	2	802-130C	HHCS 1/2-13X2 1/2 GR5
24	2	802-249C	HHCS 1/2-13X4 1/2 GR5 SPTHD
25	4	802-298C	HHCS 1 1/4-7X4 GR5
26	4	802-912C	HHCS 1 1/4-7X5 GR5
27	4	803-020C	NUT HEX 1/2-13 PLT
28	12	803-081C	NUT HEX 1 1/4-7 NYLON INSERT
29	4	804-015C	WASHER LOCK SPRING 1/2 PLT
30	14	804-035C	WASHER FLAT 1 1/4 USS PLT
46	2	117-058D	SIDE SHIFT CTR MNT PLT 25FT
47	1	117-059D	SIDESHIFT CTR MNT SPACER 25FT
48	2	117-065D	SIDESHIFT UPR MNT SPCR TB 25FT
49	4	802-166C	HHCS 1 1/4-7X9 1/2 GR5 SPTHD

Appendix

Abbreviations

3PT	3 Point
BUSH	Bushing
CTR	Center
FLG	Flange
GOOD LEN	Usable Length
GR2	Grade 2
GR5	Grade 5
GR8	Grade 8
HD	Head
HEX	Hexagonal (6 sided)
HHCS	Hex Head Cap Screw (Bolt)
ID	Inside Diameter
LG	Long
LH/RH	Left Hand, Right Hand
LWR	Lower
MNT	Mount

OD	Outside Diameter
PLT	Plate/Plated
RD	Round
RFH	Rubber Flexible Hose
SAE	Society of Automotive Engineers (standards)
SGS	Small Grass Seeds
SLT	Slotted
SPCR	Spacer
SPTH	Special Thread (non standard neck length)
TB	Tube
THK	Thick
UPR	Upper
USS	United States Standard
W/	With
X	by

Great Plains Manufacturing, Inc.

Corporate Office P.O. Box 5060
Salina, Kansas 67402-5060 USA