

Update Instructions



NT Chile Fertilizer Sprocket Kit

Used with:

- 1205 NT
- 706/1006 NT

General Information

These instructions explain how to install the Fertilizer Sprocket Kit. This modification increases the output of the fertilizer box by 250%.

These instructions apply to:

150-241A NT Chile Fert Spkt Kit

Your kit includes:

Qty.	Part No.	Part Description
1	808-069C	SPKT 40B19 X 3/4 B W/ KW & SS
1	808-282C	SPKT 40B27 3/4 HEX BORE W/SS

Assembly Instructions for 1205 NT

NOTE: Some parts not shown for clarity in the following illustrations.

1. Remove chains from the three sprockets shown in Figure 1.
2. Remove the 17-tooth sprocket and move the 12-tooth sprocket in its place. See Figure 2.
3. Refer to Figures 2 and 3. Install the 19-tooth sprocket from the kit where the 12-tooth sprocket was.
4. Refer to Figures 2 and 3. Remove the 30-tooth sprocket and replace it with the 27-tooth sprocket from the kit.
5. Reroute chains removed in step 1 over sprockets. Remove slack from chains with idlers.

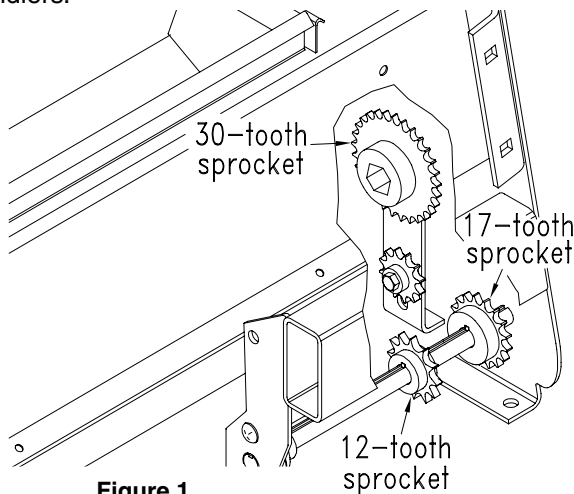


Figure 1
1205 NT

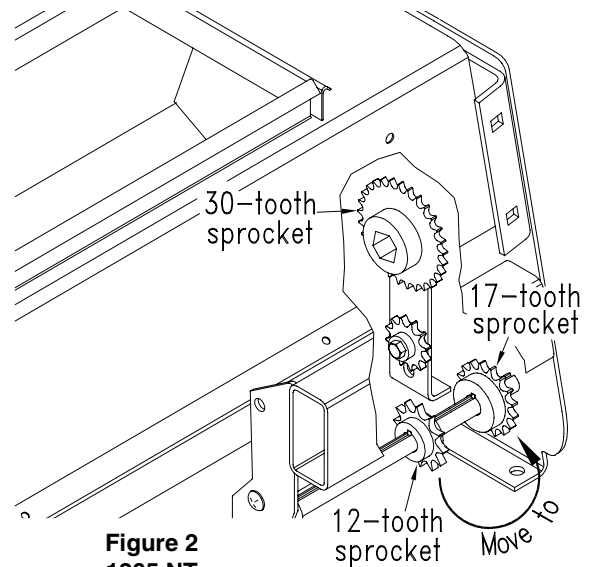


Figure 2
1205 NT

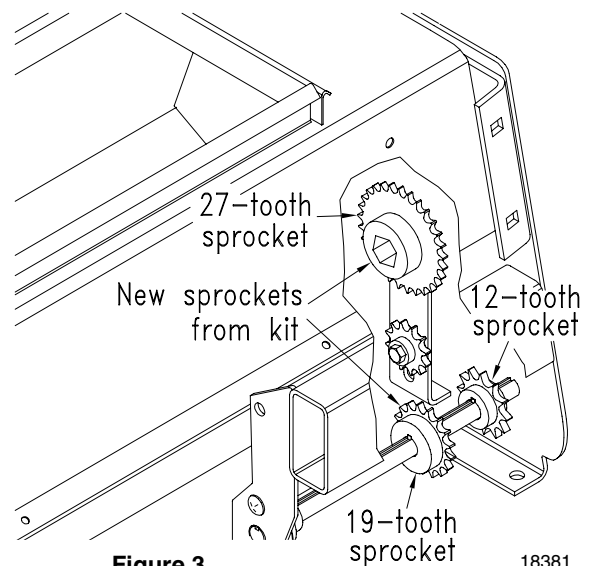


Figure 3
1205 NT

18381

Assembly Instructions for 706/1006 NT

NOTE: Some parts not shown for clarity in the following illustrations.

1. Remove chains from the three sprockets shown in Figure 1.
2. Remove the 17-tooth sprocket and move the 13-tooth sprocket in its place. See Figure 2.
3. Refer to Figures 2 and 3. Install the 19-tooth sprocket from the kit where the 13-tooth sprocket was.
4. Refer to Figures 2 and 3. Remove the 30-tooth sprocket and replace it with the 27-tooth sprocket from the kit.
5. Reroute chains removed in step 1 over sprockets. Remove slack from chains with idlers.

Your kit includes:

Qty.	Part No.	Part Description
1	808-069C	SPKT 40B19 X 3/4 B W/ KW & SS
1	808-282C	SPKT 40B27 3/4 HEX BORE W/SS

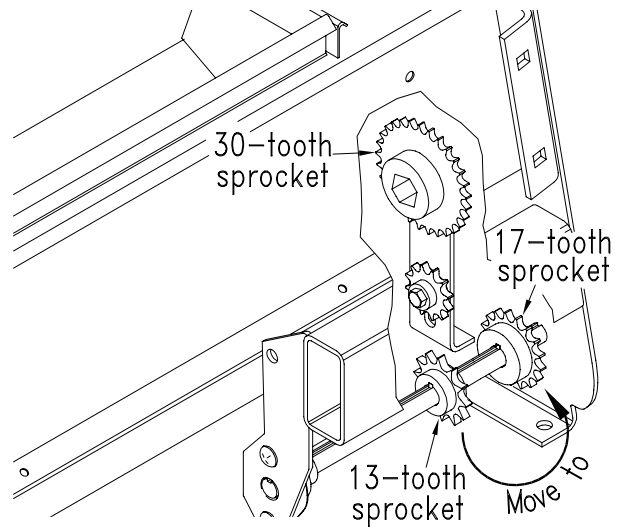


Figure 2
706/1006 NT

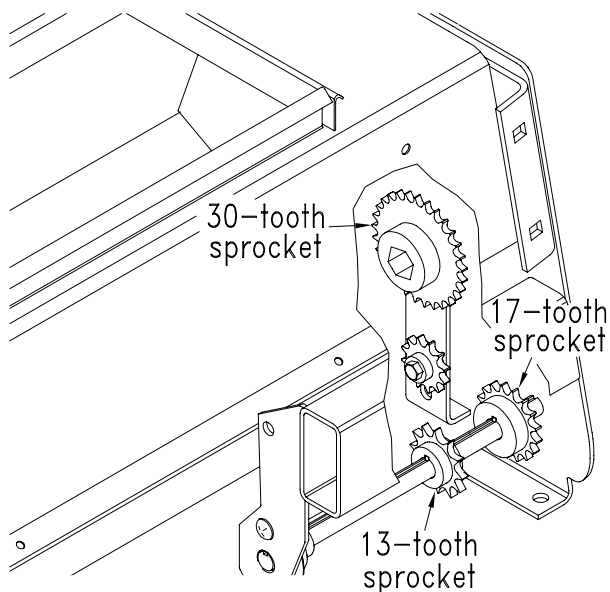


Figure 1
706/1006 NT

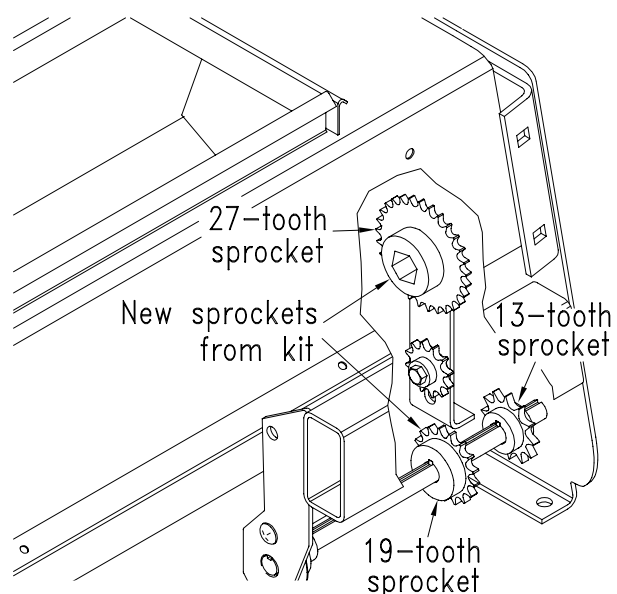


Figure 3
706/1006 NT

21784