

Update Instructions



Opener Mount Update

Used with:

- 1525P
- 2025P
- 2525P
- 3N-4025P, 3N-4025F
- Yield-Pro® Planter



When you see this symbol, the subsequent instructions and warnings are serious - follow without exception. Your life and the lives of others depend on it!

General Information

These instructions explain how to install the Opener Mount Update Kit. The new style mounts allow for use of the same standard inner pivot tube on both front and rear pivots of the opener parallel arms.

These instructions apply to:

298-883S	25P Front Opener Mount W/Bush
298-887S	25P Rear Opener Mount W/Bush
298-888S	25P Middle Opener Mount W/Bush

Before You Start

Page 2 is a detailed listing of parts included in the Opener Mount Update Kit. Use this list to inventory parts received.

Tools Required

- Basic Hand Tools

Assembly Instructions

NOTE: When replacing an old opener mount with the new style opener mount, the inner pivot tube must also be replaced with the new, longer inner pivot tube provided in the kit. Failure to replace the old inner pivot tube with the new, longer inner pivot tube will result in opener malfunction and opener damage.

Refer to Figure 1

1. Remove old opener mount from drill. Discard opener mount. Keep all other parts for reuse.
2. Attach new opener mount (5) to frame using two 5/8-11 x 7 1/32 x 6 1/2 u-bolts (1), four 5/8 washer lock springs (8), and four 5/8-11 nuts (7).
3. Replace old inner pivot tubes with inner pivot tubes (4) supplied in kit. Discard old inner pivot tubes. Secure new inner pivot tubes (4) and parallel arm pivot bushings (3) to opener mount using 1/2-13 x 6 1/8 bolts (2) and 1/2-13 nut locks (6).
4. Reattach chain and sprocket to opener mount.
5. Secure parallel arms to inner pivot tube and reattach springs opener mount.

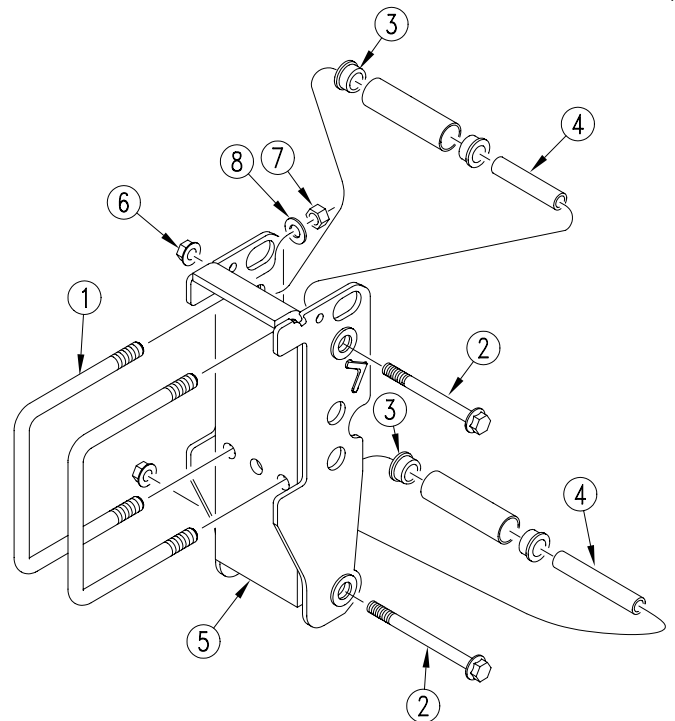


Figure 1
Opener Mount

23274

298-883S 25P FRONT OPENER MOUNT W/BUSH

Your kit includes:

Qty.	Part No.	Part Description
2	198-295D	25P REAR OPENER INNER PIVOT
1	298-884H	25P FRONT OPENER MOUNT WLDMT
1	298-889M	25P OPENER MOUNT UPDATE MANUAL

298-887S 25P REAR OPENER MOUNT W/BUSH

Your kit includes:

Qty.	Part No.	Part Description
2	198-295D	25P REAR OPENER INNER PIVOT
1	298-885H	25P REAR OPENER MOUNT WLDMT
1	298-889M	25P OPENER MOUNT UPDATE MANUAL

298-888S 25P MIDDLE OPENER MOUNT W/BUSH

Your kit includes:

Qty.	Part No.	Part Description
2	198-295D	25P REAR OPENER INNER PIVOT
1	298-886H	25P MIDDLE OPENER MOUNT WLDMT
1	298-889M	25P OPENER MOUNT UPDATE MANUAL