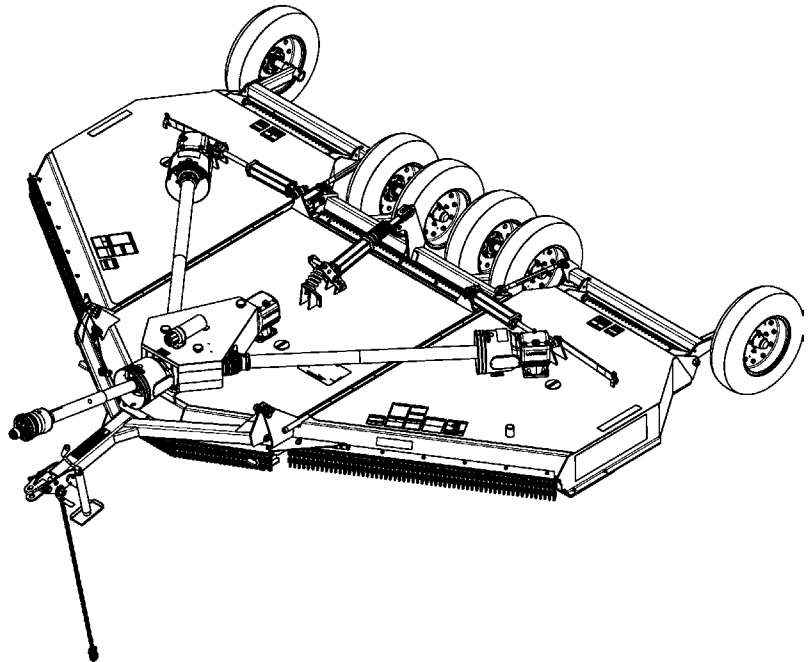

Parts Manual

RC2515 (540 RPM)
Rotary Cutter



Read the Operator's manual entirely. When you see this symbol, the subsequent instructions and warnings are serious - follow without exception. Your life and the lives of others depend on it!



39910

Cover illustration may show optional equipment not supplied with standard unit.



Table of Contents

Section 1: Introduction.....	4
Using This Manual.....	4
Manual Replacement Information.....	4
Manual Revisions.....	4
Touch-up Paint.....	4
Hardware Legend.....	5
Replacement Hardware.....	5
Serial Numbers.....	5
Part Number Service Coding.....	5
Section 2: Decks & Hitch.....	6
Blade Carrier.....	6
Deck Center Section.....	8
Deck Wing Section.....	10
Hitch Main Frame.....	12
Leveling Rod & Wing Turnbuckle.....	14
Lights 2.5 Inch (LED).....	16
Section 3: Axles.....	18
Axle Center.....	18
Axle Wing.....	20
Hub Assembly (330-938K).....	22
Section 4: Guards.....	24
Guards Chain Single Row Front.....	24
Guards Chain Single Row Rear.....	26
Guards Rubber Front.....	28
Guards Rubber Rear.....	30
Section 5: Drivelines (540 RPM).....	32
Driveline Center W/ Clutch (826-821C) Comer.....	32
Driveline CV (826-683C) Weasler.....	34
Driveline Wing W/ Clutch (826-822C) Comer.....	36
Section 6: Gearboxes (540 RPM).....	38
Gearbox (826-764C).....	38
Gearbox (826-765C).....	40
Gearbox Divider 540 RPM (826-280C) Comer.....	42
Gearbox Divider 540 RPM (826-280C) SD Engineering.....	44
Section 7: Hydraulics.....	46
Hydraulic Cylinder (810-865C).....	46
Hydraulic Cylinder (810-908C).....	48
Hydraulic Cylinder Mounting & Wing Lock.....	50
Hydraulic Lift Plumbing Dual Remote.....	52
Section 8: Decals.....	54
Decal Placement.....	54
Section 9: Options.....	56
Lights 2.5 Inch (LED) Retro-Fit (334-576A).....	56
Tire Options.....	58
 Part Number Index.....	 60

© Copyright 2018 All rights reserved Printed 06/25/18

Great Plains Manufacturing, Inc. provides this publication “as is” without warranty of any kind, either expressed or implied. While every precaution has been taken in the preparation of this manual, Great Plains Manufacturing, Inc. assumes no responsibility for errors or omissions. Neither is any liability assumed for damages resulting from the use of the information contained herein. Great Plains Manufacturing, Inc. reserves the right to revise and improve its products as it sees fit. This publication describes the state of this product at the time of its publication, and may not reflect the product in the future.

Great Plains Manufacturing, Incorporated Trademarks

The following are trademarks of Great Plains Mfg., Inc.: Application Systems, Ausherman, Land Pride, Great Plains

All other brands and product names are trademarks or registered trademarks of their respective holders.

Printed in the United States of America.



Alphabetized Table of Contents

Selected Models

A	
Axle Center.....	18
Axle Wing.....	20
B	
Blade Carrier.....	6
D	
Decal Placement.....	54
Deck Center Section.....	8
Deck Wing Section.....	10
Driveline Center W/ Clutch (826-821C) Comer.....	32
Driveline CV (826-683C) Weasler.....	34
Driveline Wing W/ Clutch (826-822C) Comer.....	36
G	
Gearbox (826-764C).....	38
Gearbox (826-765C).....	40
Gearbox Divider 540 RPM (826-280C) Comer.....	42
Gearbox Divider 540 RPM (826-280C) SD Engineering.....	44
Guards Chain Single Row Front.....	24
Guards Chain Single Row Rear.....	26
Guards Rubber Front.....	28
Guards Rubber Rear.....	30
H	
Hitch Main Frame.....	12
Hub Assembly (330-938K).....	22
Hydraulic Cylinder (810-865C).....	46
Hydraulic Cylinder (810-908C).....	48
Hydraulic Cylinder Mounting & Wing Lock.....	50
Hydraulic Lift Plumbing Dual Remote.....	52
L	
Leveling Rod & Wing Turnbuckle.....	14
Lights 2.5 Inch (LED).....	16
Lights 2.5 Inch (LED) Retro-Fit (334-576A).....	56
T	
Tire Options.....	58



General Information

Using This Manual

This manual is divided into sections. The first section contains General Information, a Table of Contents, an Alphabetical Page Index, and a Part Number Index. The remaining sections divide the machine into segments (i.e. Frames, Drives, Hydraulics, etc.) which illustrate and list all parts.

The Great Plains parts in this manual are specially designed for this machine and should be replaced with Great Plains parts only.

The information in this manual is current at printing. Some parts may change to assure top performance.

Right-hand and left-hand as used in this manual are determined by facing the direction the machine will travel while in use.

Below is an example of two facing pages from a parts manual. Familiarize yourself with the contents of these pages.

Manual Replacement Information

Replacement manuals are available. Refer to your dealer or the Great Plains Publications Catalog for additional information.

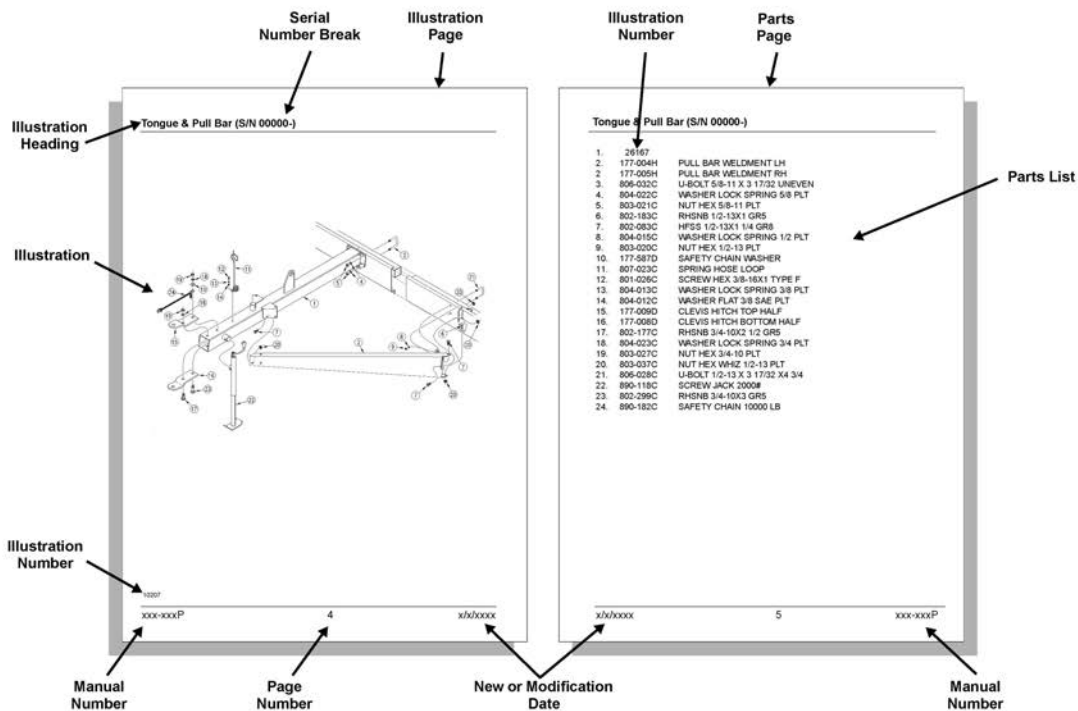
Manual Revisions

When this manual is revised, the modification date is printed on the front cover and on the revised page(s).

Touch-up Paint

Repaint parts where paint is worn or scratched to prevent rust. Aerosol touch-up paint is available. To order use Great Plains parts numbers below:

GP Green	821-001C
GP Black	821-002C
GP Beige	821-003C
GP Buckskin	821-004C



Hardware Legend

AR	As Required
BLADE	Blade Bolt
C	Cap Screw
CP	Cotter Pin
CPHSSS	Cup Point Hex Socket Set Screw
CPSHSS	Cup Point Square Head Set Screw
CPSQHSS	Cup Point Square Head Set Screw
CRFCHMS	Cross Recess Flat Countersunk Head Mach. Screw
CRPHMS	Cross Recess Pan Head Machine Screw
CRPHTFS	Cross Recess Pan Head Thread Forming
CRRHMS	Cross Recess Round Head Machine Screw
CRTHMS	Cross Recess Truss Head Machine Screw
CSNB	Countersunk Square Neck Bolt
FHMS	Flat Head Machine Screw
FTC	Full Thread Cap Screw
H	Hex Nut
HCLN	Hex Center Lock Nut
HFLCS	Hex Flange Lock Cap Screw
HFS	Hex Flange Screw
HFSLN	Hex Flange Serrated Lock Nut
HFSS	Hex Flange Serrated Screw
HHCS	Hex Head Cap Screw or Metric Bolt
HSBHCS	Hex Socket Button Head Cap Screw
HSFCHCS	Hex Socket Flat Countersunk Head Cap Screw
HSHCS	Hex Socket Head Cap Screw
HSSS	Hex Socket Head Screw
HTLN	Hex Top Lock Nut
HWHCS	Hex Washer Head Cap Screw

HWHMS	Hex Washer Head Machine Screw
HXBHCS	Hex Socket Button Head Cap Screw
J	Hex Jam Nut
JIC	37 Degree Tapered Thread
L	Helical Spring Lock Washer
LUG	Lug Bolt
NFC	National Fine Cap Screw
NPSM	National Pipe Straight Mechanical
NPTF	National Pipe Taper Fuel
P	Wide Plain Washer
PHMS	Pan Head Machine Screw
PLOW	Plow Bolt
RHMS	Round Head Machine Screw
RHSNB	Round Head Square Neck Bolt
SCREW LEVELING	Leveling Screw
SCREW THUMB	Thumb Screw
SCREW WELD	Weld Screw
SFCHMS	Slotted Flat Countersunk Head Machine Screw
SFHMS	Slotted Fillister Head Machine Screw
SP	Special
SP SCREW	Special Screw
SQHSS	Square Head Set Screw
SRHMS	Slotted Round Head Machine Screw
SSS	Socket Set Screw
STCS	Self Tapping Cap Screw
STHMS	Slotted Truss Head Machine Screw
WHEEL	Wheel Studs and Hub Long Bolts
WING	Wing Bolt

Replacement Hardware

The **Hardware Legend** above lists hardware abbreviations used in the parts lists. All bolts and nuts are grade 5 unless otherwise noted. The use of improper grades of hardware can result in personal injury, damage to equipment, or loss of property.

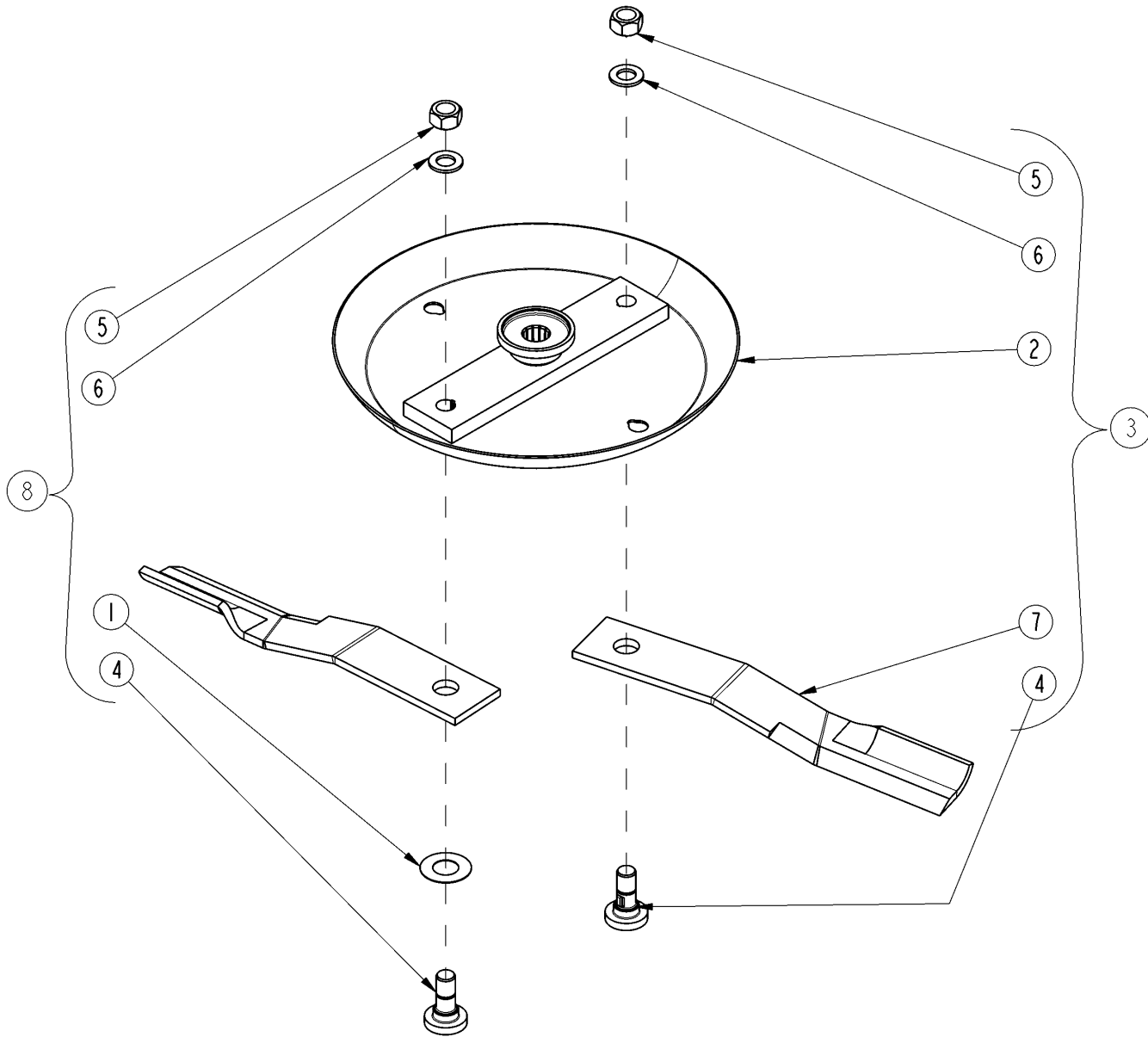
Serial Numbers

Always use the serial and model number when ordering parts. Refer to the operator's manual for serial number plate location.

- (S/N 20001+ or S/N 20001 and above) Includes serial numbers 20001 and above (to the latest number)
- (S/N 10001+→20000) Includes serial numbers between 10000 and 20001
- (S/N 10000- or S/N 10000 and below) Includes serial numbers 10000 and below (to the earliest number)

Blade Carrier

(Applies to RC2515 only)



35118

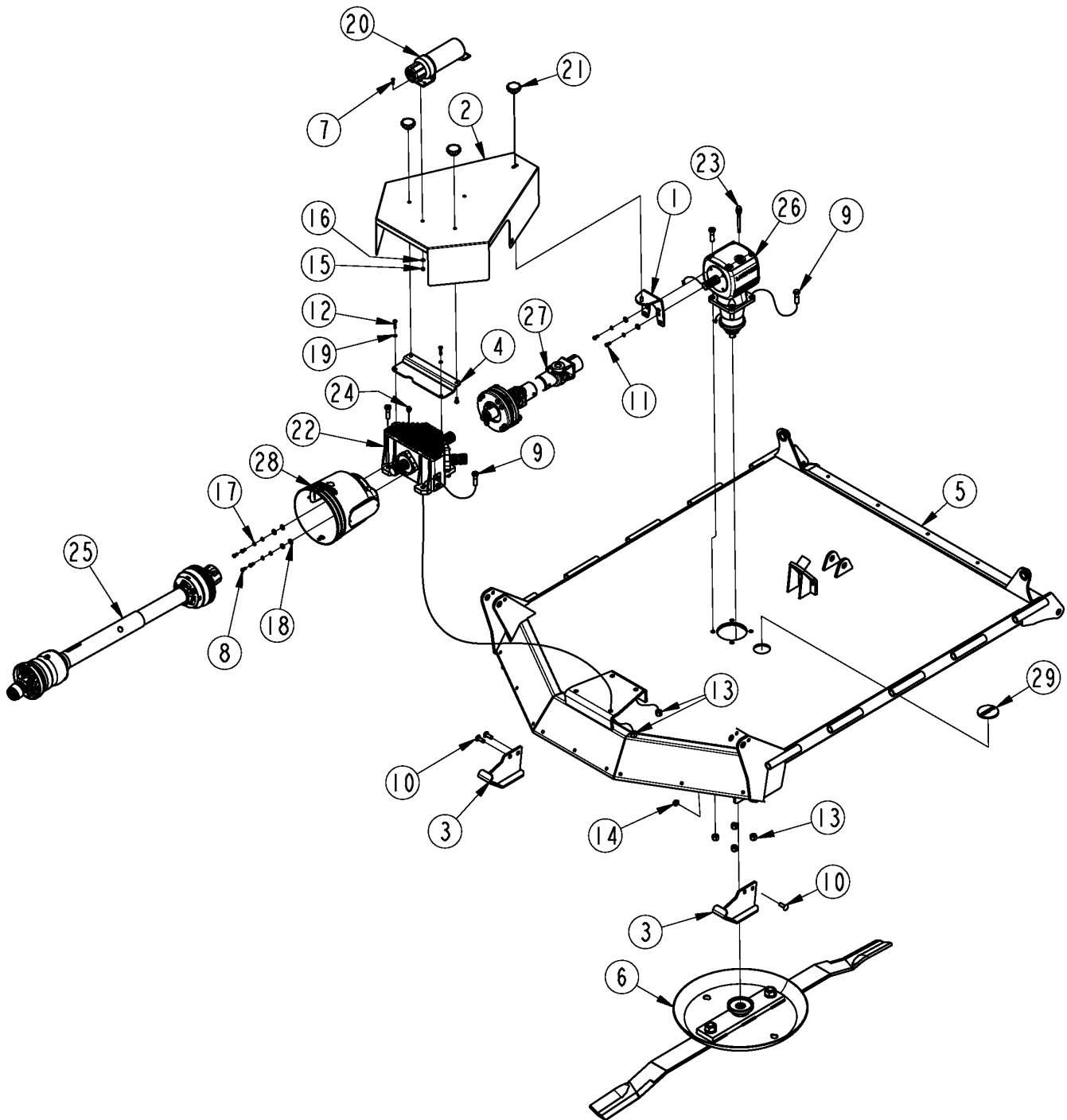
Blade Carrier

(Applies to RC2515 only)

Ref	Part No.	Part Description	Comments	Revision
	Dwg 35118	Drawing Image Number		
1.	312-082D	BLADE SPACER 18 GA. .052 Thick		
1.	312-075D	BLADE SPACER 16 GA. .064 Thick		
1.	312-089D	BLADE SPACER 20 GA. .04 Thick		
1.	312-808D	BLADE SPACER 24 GA. .03 Thick		
2.	331-068H	DISHPAN 15 CENTERS W/HUB		
3.	N/A	DISHPAN/BLADE ASY		
4.	802-277C	BLD BLT 1 1/8-12X3.44 W/.25KEY		
5.	803-170C	NUT HEX TOP LOCK 1 1/8-12 PLT.		
6.	804-147C	WASHER FLAT 1 HARD ASTM F436 PN		
7.	820-112C	CUTTER BLADE 1/2 X 4 X 25 CW	LH Deck	
7.	820-137C	CUTTER BLADE 1/2 X 4 X 25 CCW	RH Deck	
7.	820-138C	CUTTER BLADE 1/2 X 4 X 31 CCW	Center Deck	
8.	318-586A	BLADE BOLT KIT	Service Kit	

Deck Center Section

(Applies to RC2515 only)



35141

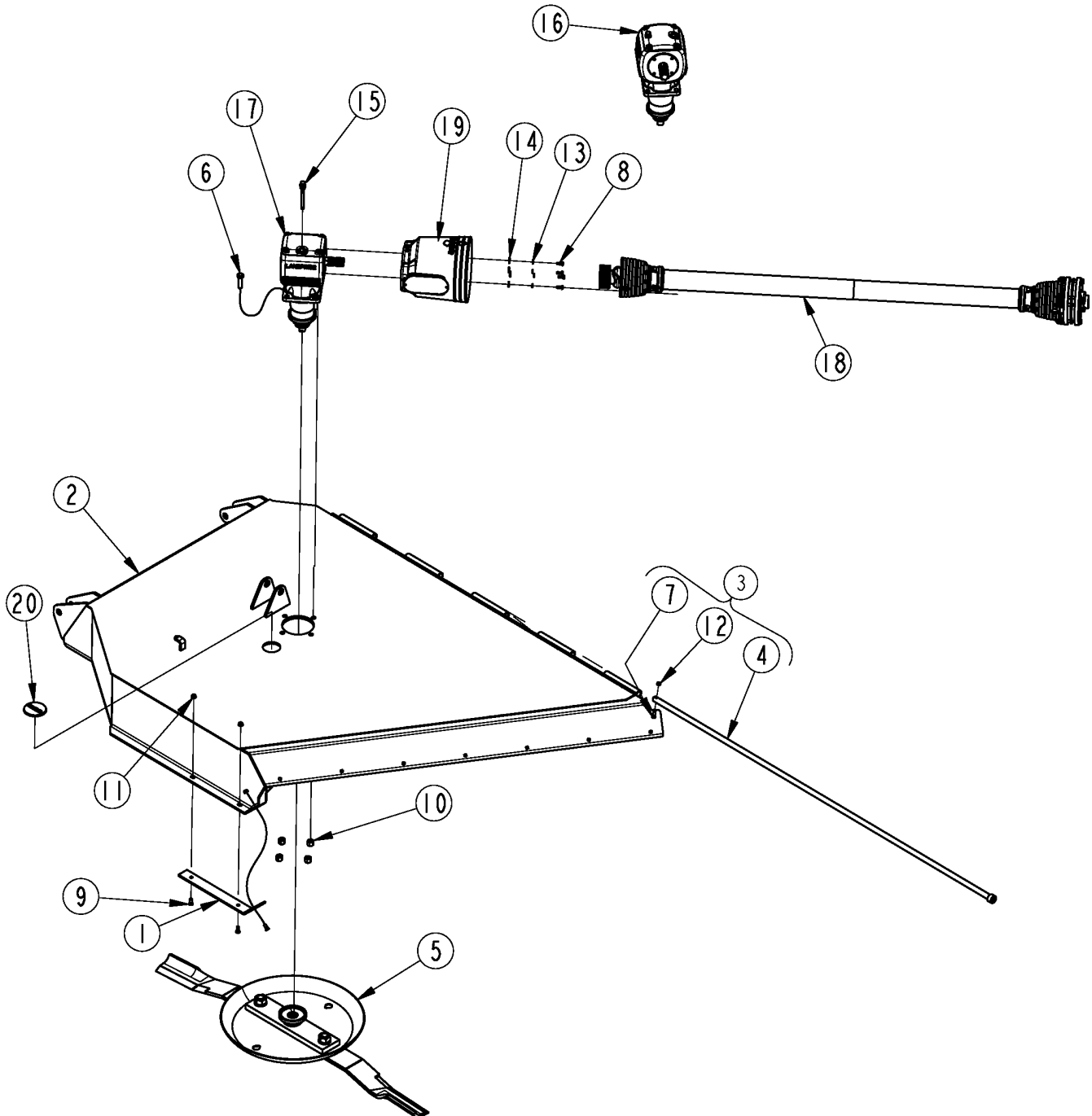
Deck Center Section

(Applies to RC2515 only)

Ref	Part No.	Part Description	Comments	Revision
	Dwg 35141	Drawing Image Number		
1.	318-401H	SHIELD BRACKET WELDMENT		
2.	330-599D	GUARD, SPLITTER		
3.	330-697H	SKID SHOE		
4.	330-778H	BRACKET, SPLITTER SHIELD		
5.	330-984H	DECK CENTER		
6.		SEE BLADE CARRIER FOR COMPONENTS		
7.	802-005C	HHCS 1/4-20X1 GR5		
8.	802-007C	HHCS 5/16-18X3/4 GR5		
9.	802-057C	HHCS 5/8-11X2 1/4 GR5		
10.	802-106C	RHSNB 1/2-13X1 1/2 GR5		
11.	802-314C	HHCS M8X1.25X20 GR8.8		
12.	802-967C	HHCS M8X1.25X35 GR8.8		
13.	803-148C	NUT HEX NYLOCK 5/8-11 PLT		
14.	803-169C	NUT HEX FLG LOCK 1/2-13 PLT		
15.	803-255C	NUT HEX NYLOCK 1/4-20		
16.	804-007C	WASHER FLAT 1/4 SAE PLT		
17.	804-009C	WASHER LOCK SPRING 5/16 PLT		
18.	804-010C	WASHER FLAT 5/16 USS PLT		
19.	804-157C	WASHER SPRING LOCK M8 PLT		
20.	816-481C	MANUAL STORAGE CONTAINER		
21.	817-259C	KNOB 3/8-16 FEMALE THD 2 3/8OD		
22.	826-280C	DIV. OMNI/CO 540RPM SU		
23.	826-491C	COMER U0.209.7101.00 DIPSTICK		
24.	826-497C	COMER VENT #8.6.7.00269		
25.	826-683C	PTO CV 540 NO CLUTCH		
26.	826-764C	GBOX LF240 1:1.47 STD		
27.	826-821C	DRVLN C3 12F 1.38-6 FY CLTCH		
28.	837-101C	LAND PRIDE CONE		
28.	826-519C	SMALL SHAFT CONE W/ACCESS DOOR	Replaced with 837-101C	
29.	840-273C	PLUG LP 3" ID RUBBER		

Deck Wing Section

(Applies to RC2515 only)



35142

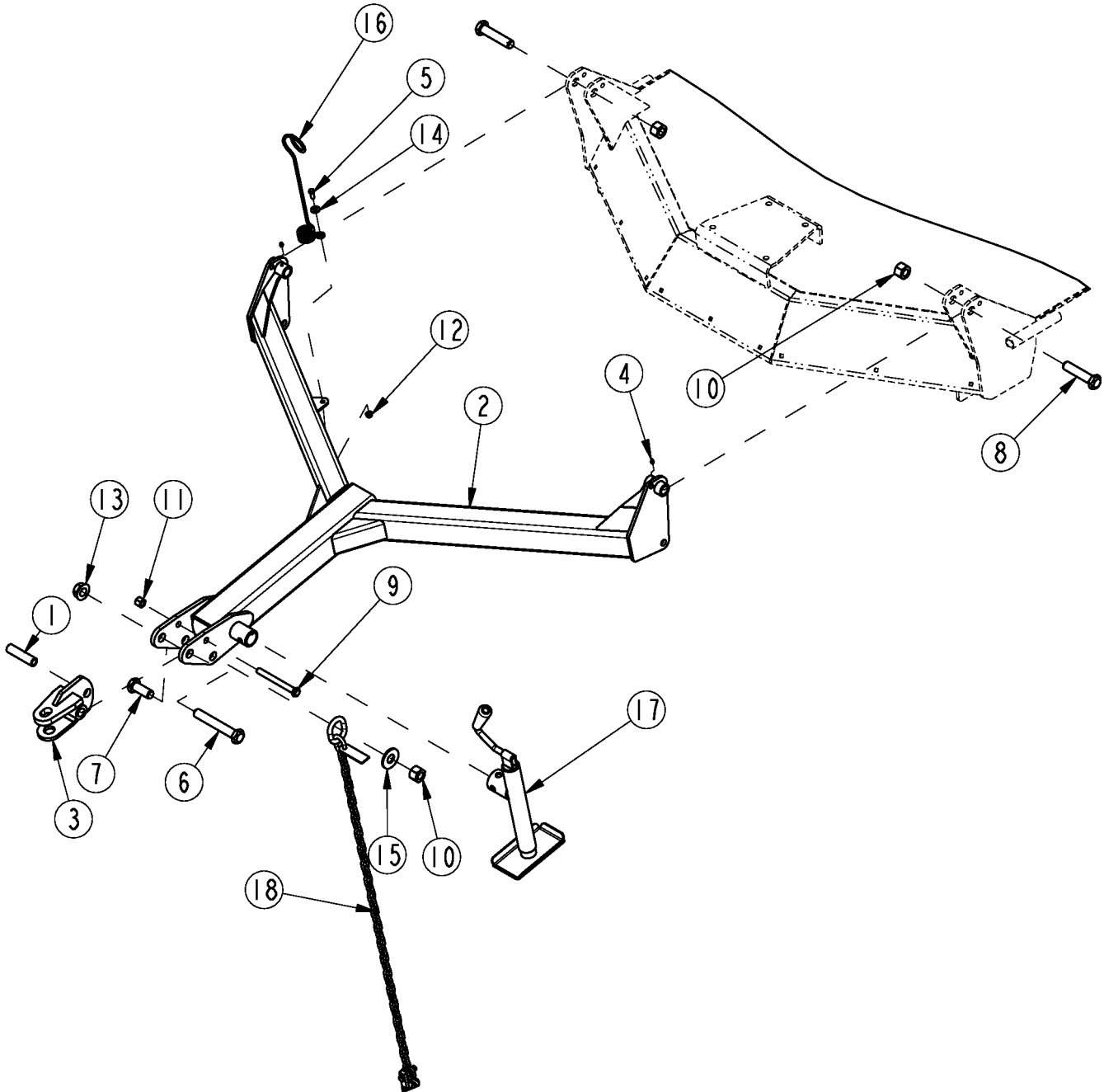
Deck Wing Section

(Applies to RC2515 only)

Ref	Part No.	Part Description	Comments	Revision
	Dwg 35142	Drawing Image Number		
1.	312-602D	SKID SHOE		
2.	330-993H81	DECK, WING RH GREEN		
2.	330-990H81	DECK, WING LH GREEN		
3.	330-996L	ASSY HINGE ROD		
4.	330-997H	HINGE ROD		
5.		SEE BLADE CARRIER FOR COMPONENTS		
6.	802-057C	HHCS 5/8-11X2 1/4 GR5		
7.	802-079C	HHCS 3/8-16X1 1/4 GR5		
8.	802-314C	HHCS M8X1.25X20 GR8.8		
9.	802-603C	PLOW 3/8-16X1 GR5		
10.	803-148C	NUT HEX NYLOCK 5/8-11 PLT		
11.	803-198C	NUT HEX WHIZ 3/8-16 PLT		
12.	803-215C	NUT NYLOCK JAM THIN 3/8-16 PLT		
13.	804-009C	WASHER LOCK SPRING 5/16 PLT		
14.	804-010C	WASHER FLAT 5/16 USS PLT		
15.	826-491C	COMER U0.209.7101.00 DIPSTICK		
16.	826-764C	GBOX LF240 1:1.47 STD	LH Deck	
17.	826-765C	GBOX LF240 1:1.47 REV	RH Deck	
18.	826-822C	DRVLN C3 54 1.38-6 QD CLTCH		
19.	837-101C	LAND PRIDE CONE		
19.	826-240C	SMALL SHAFT CONE W ACCESS DOOR	Replaced with 837-101C	
20.	840-273C	PLUG LP 3" ID RUBBER		

Hitch Main Frame

(Applies to RC2515 only)



35143

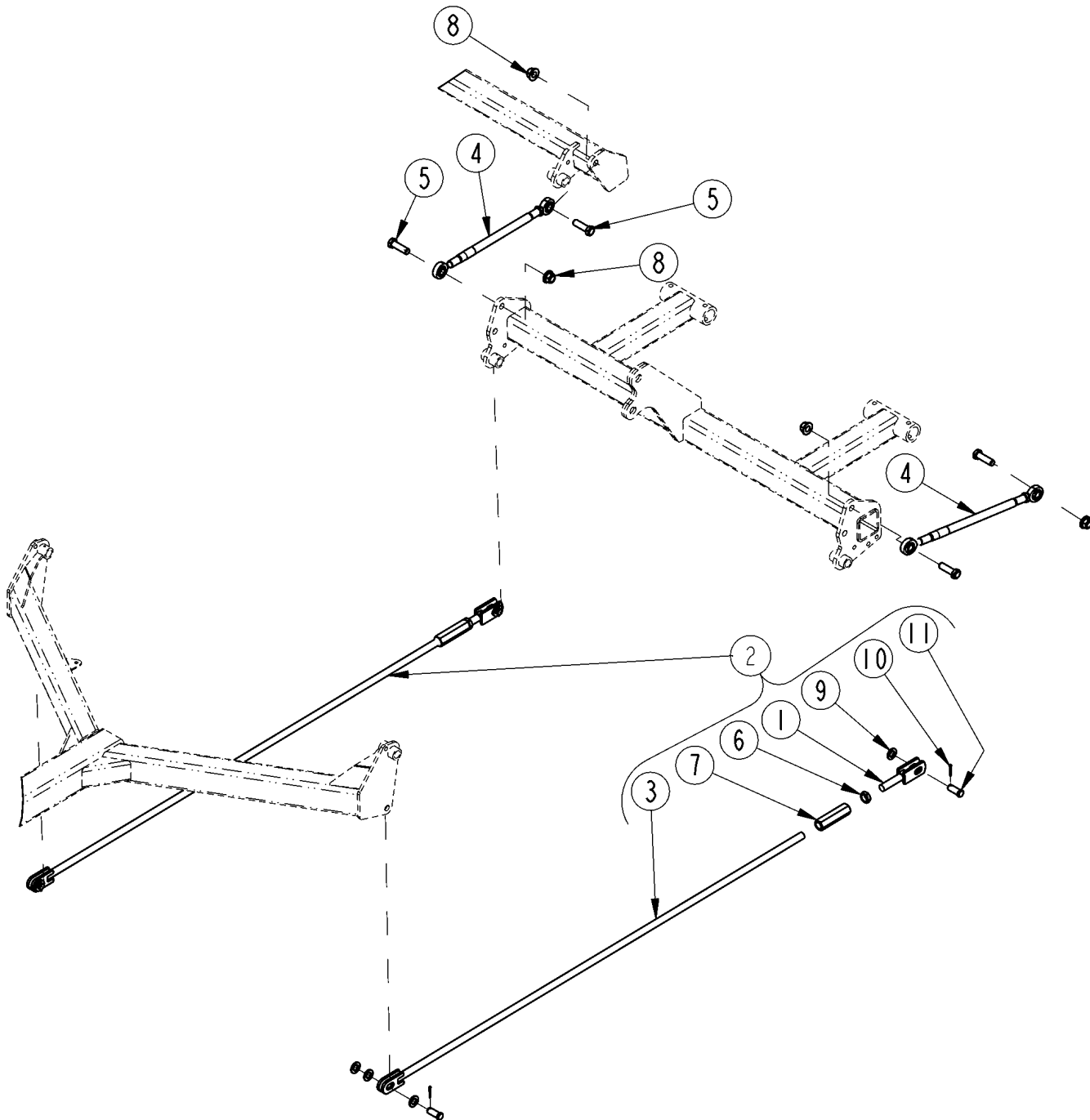
Hitch Main Frame

(Applies to RC2515 only)

Ref	Part No.	Part Description	Comments	Revision
	Dwg 35143	Drawing Image Number		
1.	330-311D	SPACER HITCH		
2.	330-998H	FRAME HITCH		
3.	331-465H	CLEVIS WELDMENT		
4.	800-001C	GREASE ZERK STRAIGHT 1/4-28		
5.	802-017C	HHCS 3/8-16X1 GR5		
6.	802-074C	HHCS 1-8X6 1/2 GR5		
7.	802-096C	HHCS 1-8X2 1/2 GR5		
8.	802-098C	HHCS 1-8X4 1/2 GR5		
9.	802-116C	HHCS 5/8-11X6 GR5		
10.	803-168C	NUT HEX TOP LOCK 1-8 PLT		
11.	803-148C	NUT HEX NYLOCK 5/8-11 PLT		
12.	803-209C	NUT FLANGE LOCK 3/8-16 PLT		
13.	803-258C	NUT HEX FLG LOCK 1-8 GR B PLT		
14.	804-011C	WASHER FLAT 3/8 USS PLT		
15.	804-028C	WASHER FLAT 1 USS PLT		
16.	807-023C	SPRING HOSE LOOP		
17.	890-118C	SCREW JACK 2000# 14-24 TOP-WND		
18.	891-246C	AG SAFETY CHAIN 6400 LB		

Leveling Rod & Wing Turnbuckle

(Applies to RC2515 only)



35144

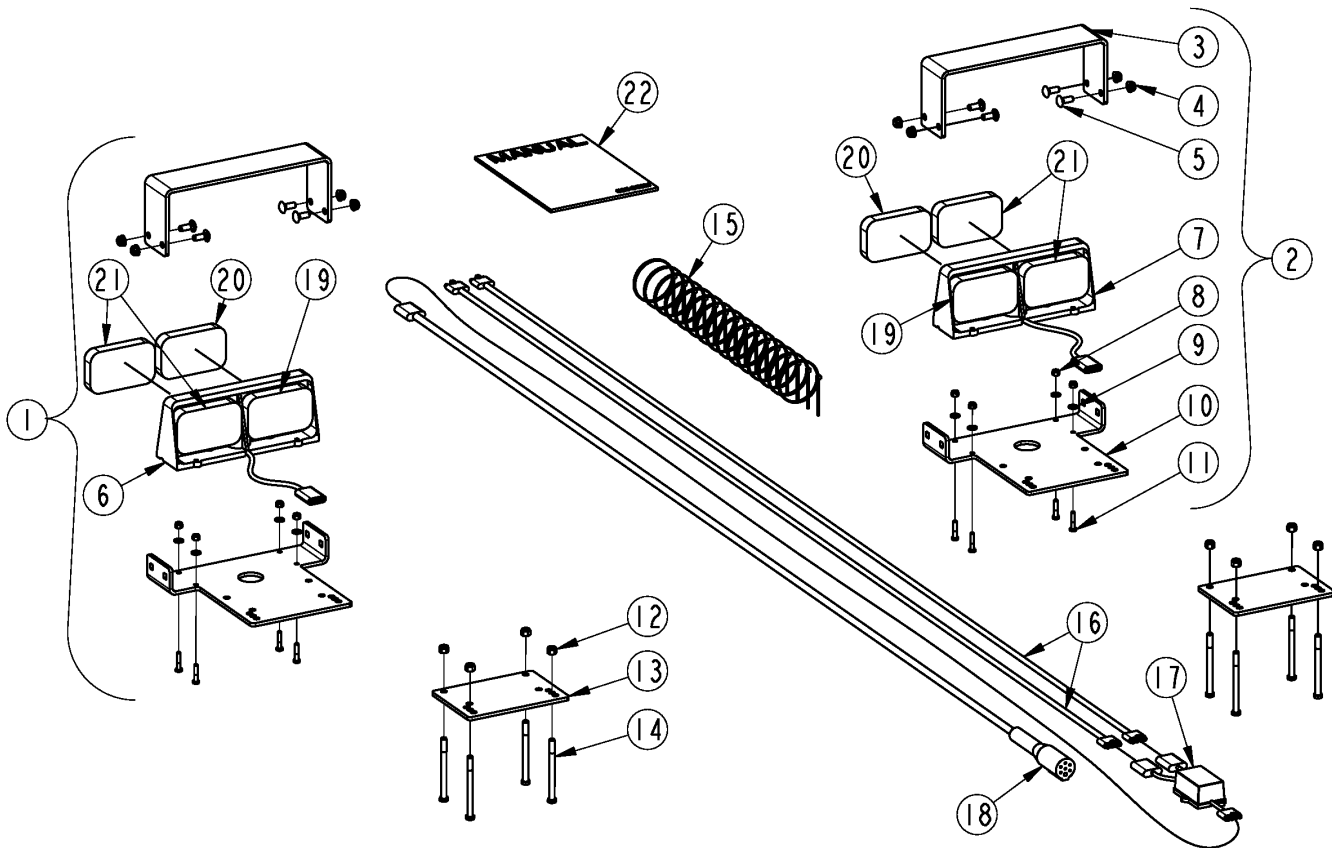
Leveling Rod & Wing Turnbuckle

(Applies to RC2515 only)

Ref	Part No.	Part Description	Comments	Revision
	Dwg 35144	Drawing Image Number		
1.	318-008H	WLDMT. LEVEL ROD SHORT		
2.	330-987K	ASSY LEVEL ROD		
3.	330-988H	WLDMT LEVEL ROD LONG		
4.	331-001S	TURNBUCKLE ASY, 3/4 HOLES		
5.	802-212C	HHCS 3/4-10X2 1/2 GR5		
6.	803-075C	NUT HEX JAM 7/8-9		
7.	803-265C	NUT HEX COUPLER 7/8-9 x 5		
8.	803-299C	NUT HEX FLG TOP LK 3/4-10 PLT		
9.	804-025C	WASHER FLAT 3/4 SAE PLT		
10.	805-045C	PIN COTTER 5/32 X 1 1/4 LG		
11.	805-083C	PIN CLEVIS 3/4 X 1 1/2		

Lights 2.5 Inch (LED)

(Applies to RC2515 only)



37671

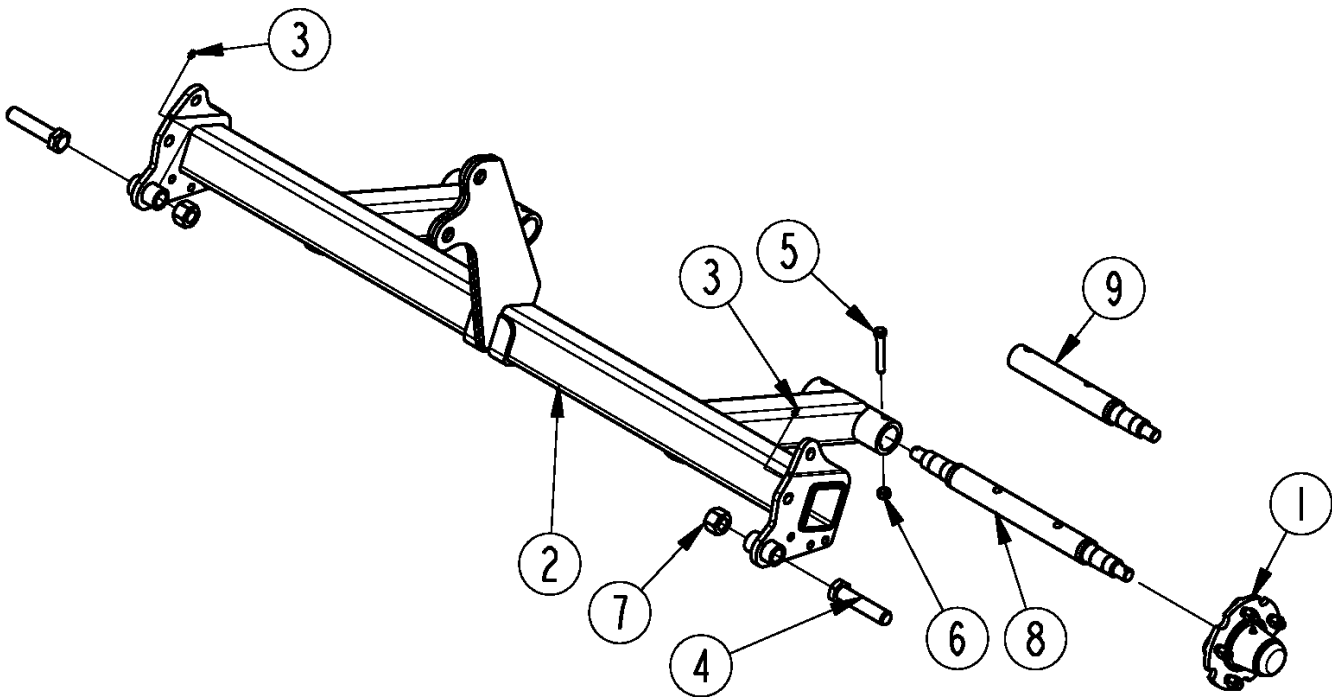
Lights 2.5 Inch (LED)

(Applies to RC2515 only)

Ref	Part No.	Part Description	Comments	Revision
	Dwg 37671 334-443L	Image No. FOLDING CUTTER LIGHT KIT 2.5"	S/N D001092N+ Lights are now standard (Complete assembly)	
	331-498A	FOLDING CUTTER LIGHT KIT 2.5"	S/N D001091N- Lights were optional	
1.	330-965D	LIGHT MNT		
2.	330-966D	LIGHT GUARD		
3.	330-967D	LIGHT MNT CLAMP		
4.	331-471S	RH LIGHT ASSY		
5.	331-472S	LH LIGHT ASSY		
6.	800-060C	CABLE TIE .19X14.25 3DIA 50LB		
7.	802-015C	RHSNB 3/8-16X1 GR5		
8.	802-223C	HHCS 3/8-16X4 GR5		
9.	802-224C	HHCS 1/4-20X1 1/4 GR5		
10.	803-078C	NUT LOCK 3/8-16 NYLON INSERT		
11.	803-209C	NUT FLANGE LOCK 3/8-16 PLT		
12.	803-255C	NUT HEX NYLOCK 1/4-20		
13.	804-007C	WASHER FLAT 1/4 SAE PLT		
14.	891-522C	DUAL LED LIGHT LH	Complete light assembly (Goes on 331-472S)	
14.	J-37-R	RED LED LENS MODULE	Red lens	
14.	J-37-A	AMBER LED LENS MODULE	Amber lens	
14.	J-AC1-15-B	BLACK LENS COVER	Black lens	
14.	891-523C	DUAL LED LIGHT RH	Complete light assembly (Goes on 331-471S)	
14.	J-37-R	RED LED LENS MODULE	Red lens	
14.	J-37-A	AMBER LED LENS MODULE	Amber lens	
14.	J-AC1-15-B	BLACK LENS COVER	Black lens	
15.	891-529C	RH LIGHT WIRE HARNESS 8'		
16.	891-530C	LH LIGHT WIRE HARNESS 8'		
17.	891-531C	ENHANCE MODULE		
18.	891-532C	LEAD WIRE HARNESS 8'		

Axle Center

(Applies to RC2515 only)



35145

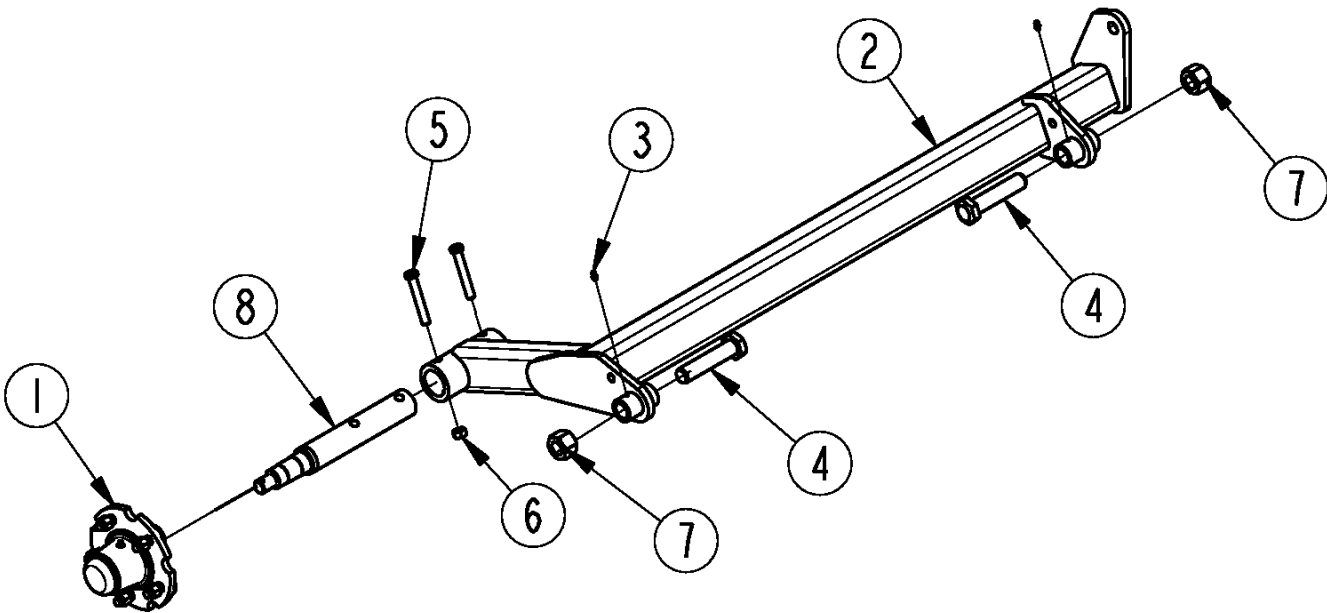
Axle Center

(Applies to RC2515 only)

Ref	Part No.	Part Description	Comments	Revision
	Dwg 35145	Drawing Image Number		
1.	330-938K	HUB 5 BOLT COMPLETE		
2.	330-986H	AXLE CENTER		
3.	800-001C	GREASE ZERK STRAIGHT 1/4-28		
4.	802-098C	HHCS 1-8X4 1/2 GR5		
5.	802-099C	HHCS 1/2-13X3 1/4 GR5		
6.	803-019C	NUT LOCK 1/2-13 PLT		
7.	803-038C	NUT HEX 1-8 NYLON INSERT PLT		
8.	815-403C	SPINDLE OFFSET, DUAL BOLT-ON	Short Side Out W/29" Tire or Long Side Out w/ Laminater Tire	
9.	815-435C	SPINDLE, SINGLE-BOLT ON 7/8-14	Use W/ 29" AC Tire	
9.	815-404C	SPINDLE, SINGLE BOLT ON 15	Use W/ Laminated Tire	

Axle Wing

(Applies to RC2515 only)



35146

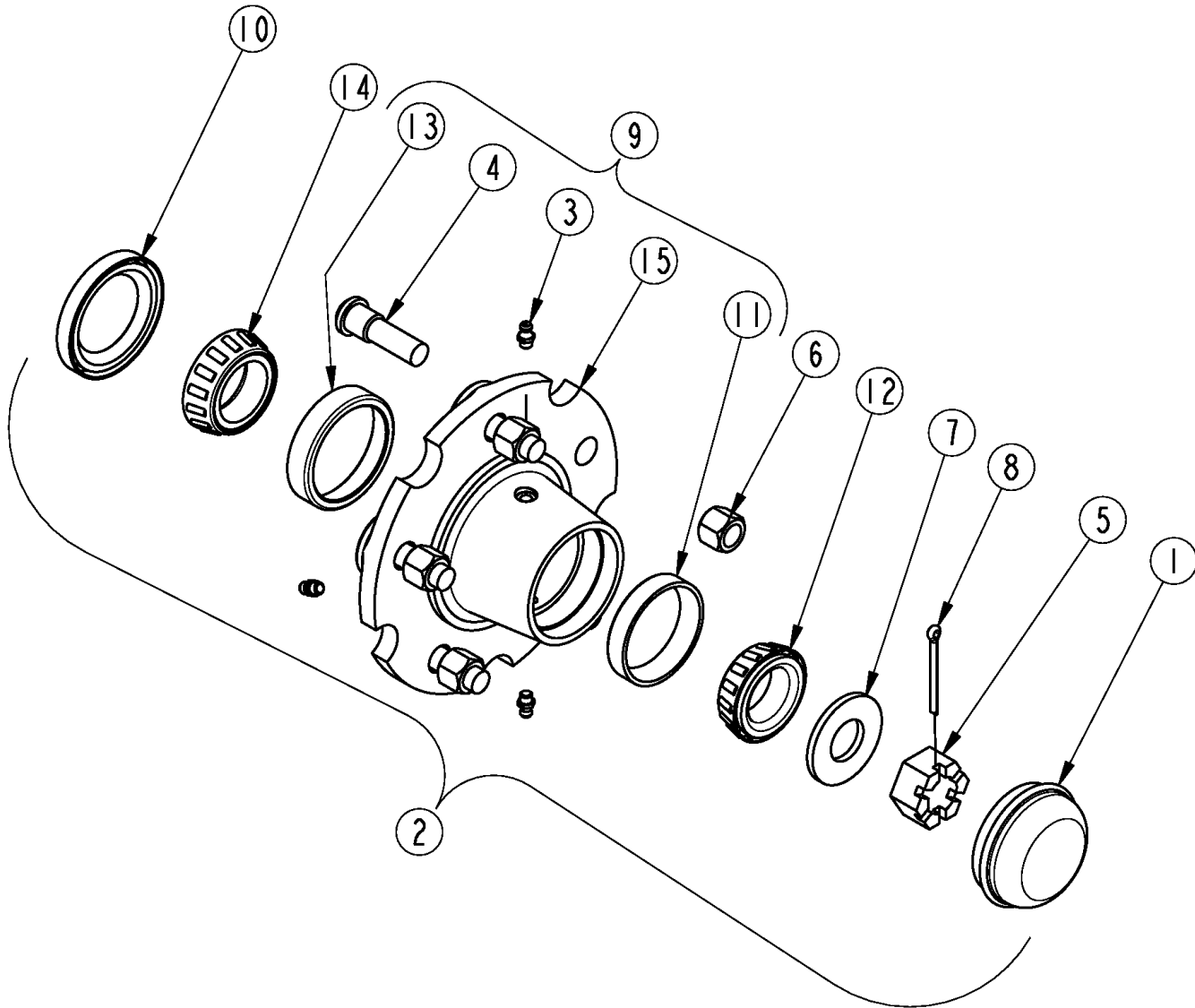
Axle Wing

(Applies to RC2515 only)

Ref	Part No.	Part Description	Comments	Revision
	Dwg 35146	Drawing Image Number		
1.	330-938K	HUB 5 BOLT COMPLETE		
2.	330-995H	AXLE WING RH		
2.	330-992H	AXLE WING LH		
3.	800-001C	GREASE ZERK STRAIGHT 1/4-28		
4.	802-098C	HHCS 1-8X4 1/2 GR5		
5.	802-099C	HHCS 1/2-13X3 1/4 GR5		
6.	803-019C	NUT LOCK 1/2-13 PLT		
7.	803-038C	NUT HEX 1-8 NYLON INSERT PLT		
8.	815-401C	SPINDLE, SINGLE BOLT-ON 7/8-14		

Hub Assembly (330-938K)

(Applies to RC2515 only)



37676

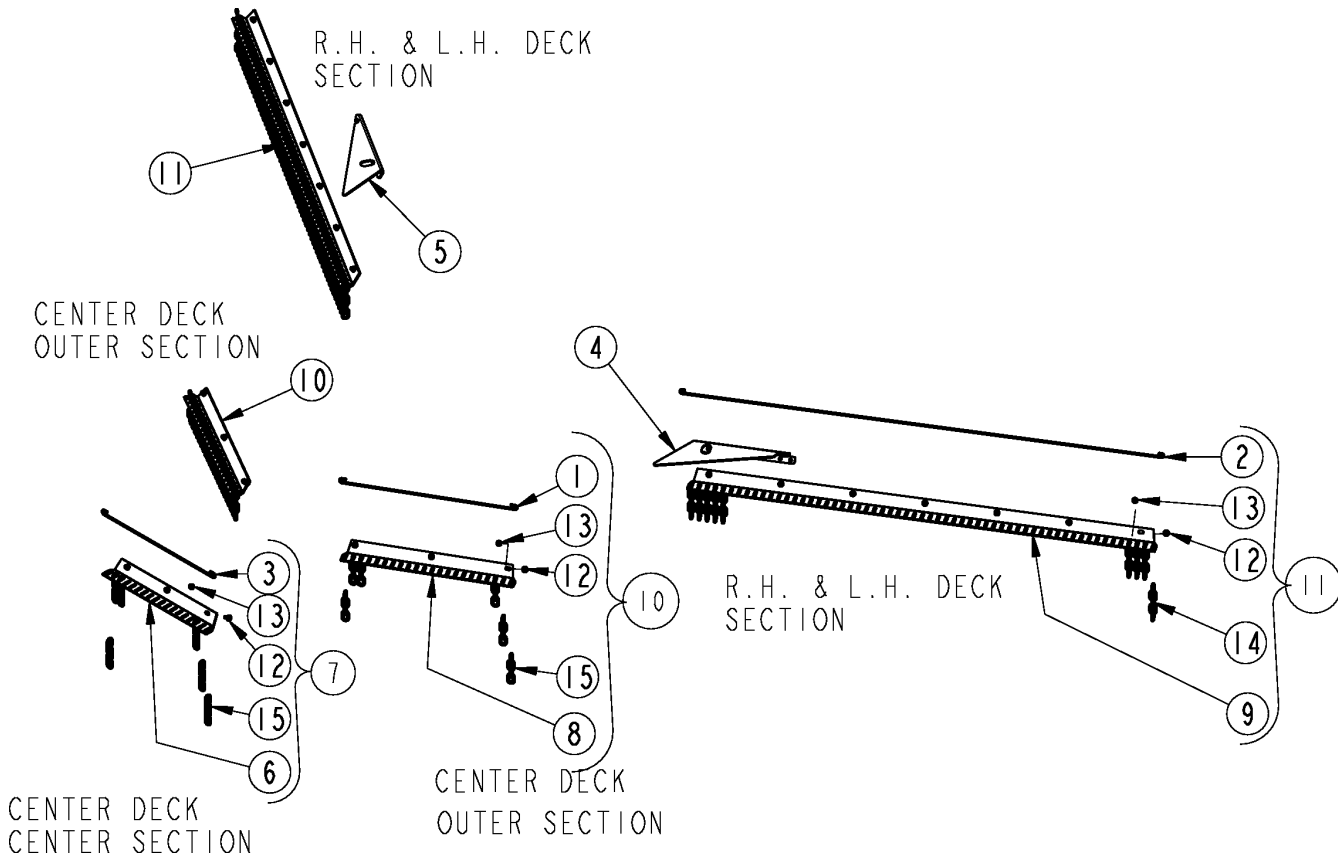
Hub Assembly (330-938K)

(Applies to RC2515 only)

Ref	Part No.	Part Description	Comments	Revision
	Dwg 37676	Image No.		
1.	200-001D	HUB GREASE CAP		
2.	330-938K	HUB 5 BOLT COMPLETE		
3.	800-080C	GREASE ZERK 1/4-28 THD FORMING		
4.	802-779C	HUB STUD 1/2-20X1.88 GR5		
5.	803-029C	NUT HEX SLOTTED 7/8-14 PLT		
6.	803-310C	NUT HEX 1/2-20 X 5/8 HIGH		
7.	804-055C	WASHER SPINDLE - 7/8		
8.	805-246C	PIN COTTER 5/32 X 1 3/4 LG		
9.	815-243C	HUB 5-BOLT W/CUPS/STUDS		
10.	816-497C	SEAL 1.75ID CR17617		
11.	822-020C	BRG CUP LM-67010		
12.	822-021C	BRG CONE 1.25ID LM-67048		
13.	822-033C	BRG CUP LM-48510		
14.	822-034C	BRG CONE LM-48548		
15.	815-242C	HUB 5-BOLT CASTING		

Guards Chain Single Row Front

(Applies to RC2515 only)



35148

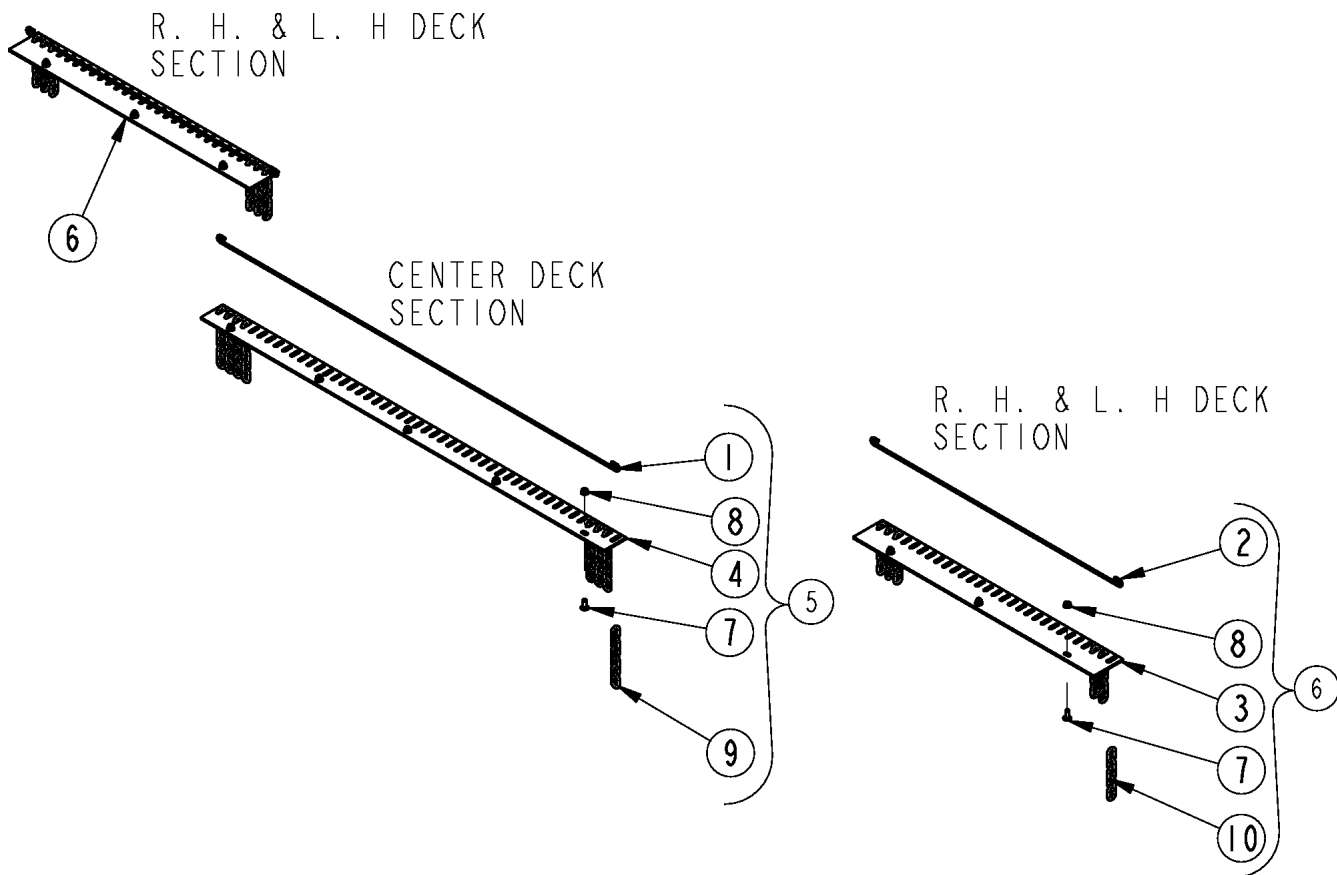
Guards Chain Single Row Front

(Applies to RC2515 only)

Ref	Part No.	Part Description	Comments	Revision
	Dwg 35148 331-087A	Drawing Image Number CHAIN GUARDS FRONT *		
1.	318-106D	ROUND ROD 1/4 X 29		
2.	318-336D	ROUND ROD 1/4 X 73		
3.	318-337D	ROUND ROD 1/4 X 25		
4.	326-993D	GUARD FRONT LH SIDE		
5.	326-994D	GUARD FRONT RH SIDE		
6.	330-301D	BRACKET CHNGRD FRT CTR		
7.	330-699K	ASSY CHNGRD FRT CTR INR		
8.	330-708D	BRACKET CHNGRD FRT OTR 15'		
9.	330-709D	BRACKET CHNGRD FRT WING 15'		
10.	331-091K	ASSY CHNGRD FRT CTR OTR 15'		
11.	331-092K	ASSY CHNGRD FRT WING 15'		
12.	802-015C	RHSNB 3/8-16X1 GR5		
13.	803-198C	NUT HEX WHIZ 3/8-16 PLT		
14.	890-341C	CHAIN WELD 5/16 GR 43 X 5 LINK		
15.	890-400C	CHAIN WELD 5/16 GR 43 X 4 LINK		

Guards Chain Single Row Rear

(Applies to RC2515 only)



35149

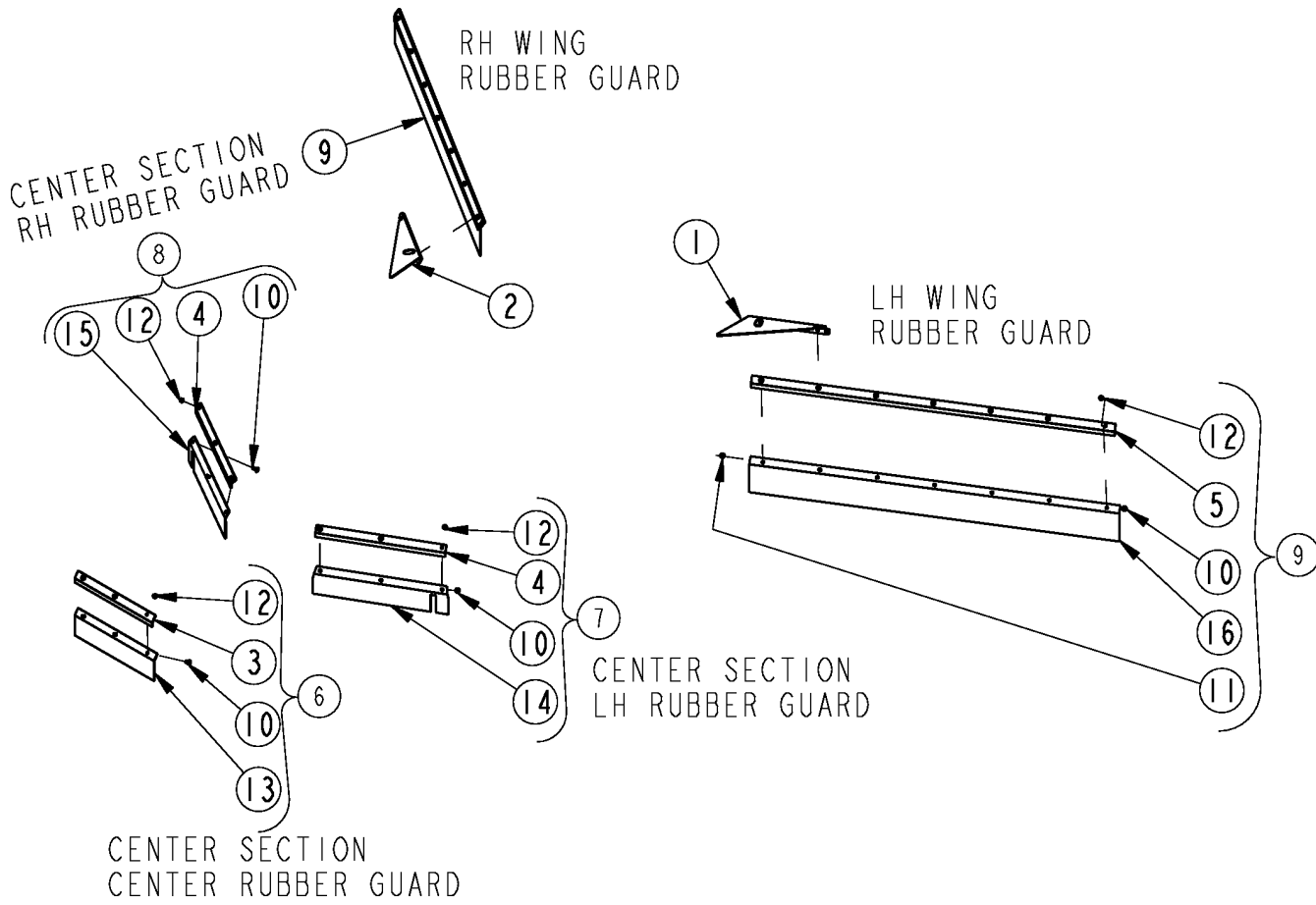
Guards Chain Single Row Rear

(Applies to RC2515 only)

Ref	Part No.	Part Description	Comments	Revision
	Dwg 35149	Drawing Image Number		
	331-088A	CHAIN GUARDS REAR *		
1.	318-478D	ROUND ROD .25 X 59		
2.	326-535D	ROUND ROD 1/4 X 37 3/4		
3.	330-710D	BRACKET CHNGRD REAR WING		
4.	330-711D	BRACKET CHNGRD REAR CTR		
5.	331-095K	ASSY CHNGRD REAR CTR		
6.	331-096K	ASSY CHNGRD REAR WING		
7.	802-015C	RHSNB 3/8-16X1 GR5		
8.	803-198C	NUT HEX WHIZ 3/8-16 PLT		
9.	890-175C	CHAIN 5/16 GR 43 X 6 LINKS PLT		
10.	890-341C	CHAIN WELD 5/16 GR 43 X 5 LINK		

Guards Rubber Front

(Applies to RC2515 only)



35822

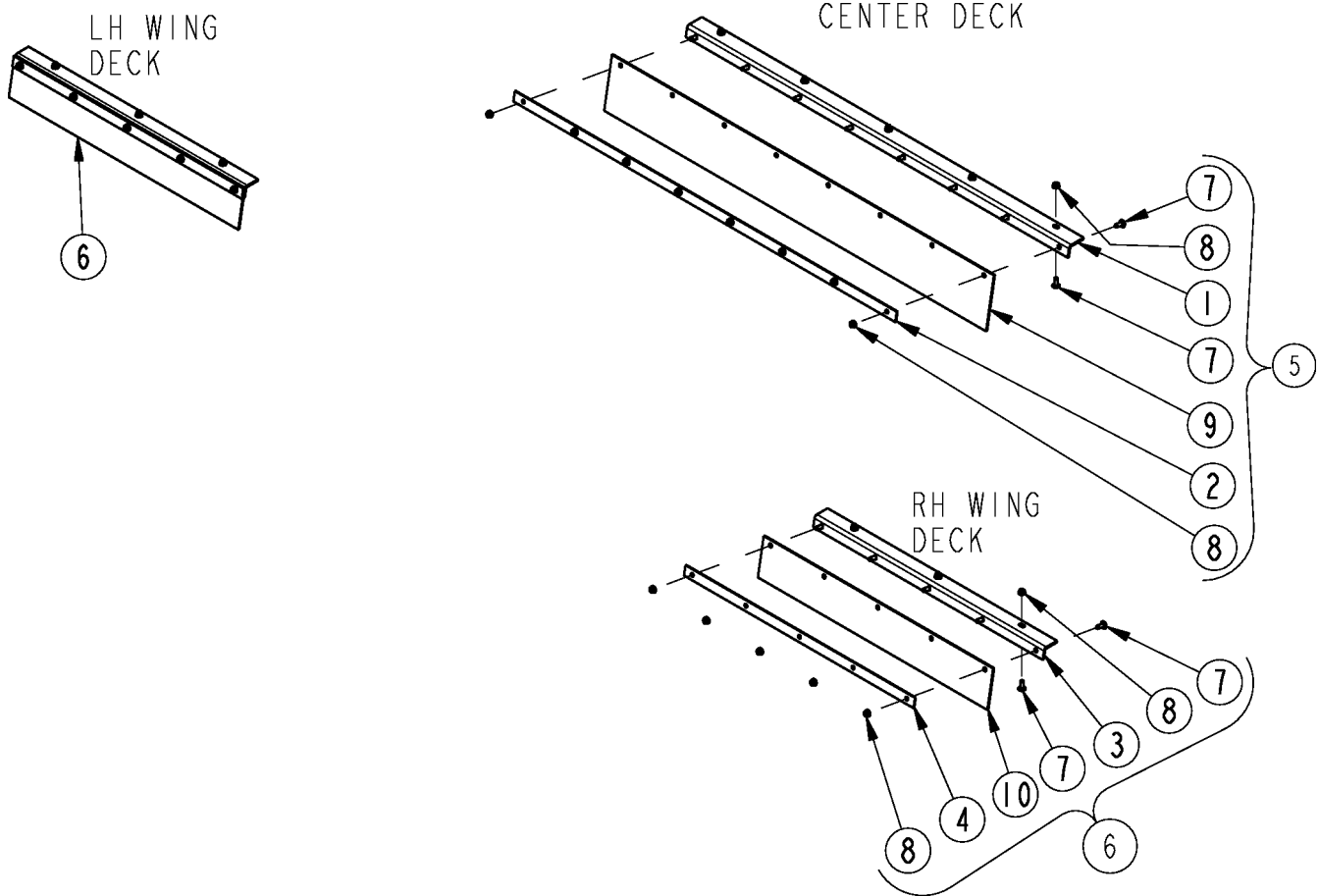
Guards Rubber Front

(Applies to RC2515 only)

Ref	Part No.	Part Description	Comments	Revision
	Dwg 35822 331-089A	Drawing Image Number RUBBER GUARDS FRONT *		
1.	326-993D	GUARD FRONT LH SIDE		
2.	326-994D	GUARD FRONT RH SIDE		
3.	330-321D	BRACKET RBRGRD FRT INNR		
4.	330-720D	BRACKET RBRGRD FRT OTR		
5.	330-721D	BRACKET RBRGRD FRT WING		
6.	330-729K	RBBRGRD FRT CTR INNR		
7.	331-113K	RBBRGRD FRT CTR LH		
8.	331-114K	RBBRGRD FRT CTR RH		
9.	331-115K	RBBRGRD FRT WING		
10.	802-015C	RHSNB 3/8-16X1 GR5		
11.	802-155C	RHSNB 3/8-16X1 1/4 GR5		
12.	803-198C	NUT HEX WHIZ 3/8-16 PLT		
13.	816-682C	RUBBER GUARD FRT INNR		
14.	816-764C	RUBBER GUARD FRT OTR		
15.	816-764C	RUBBER GUARD FRT OTR		
16.	816-765C	RUBBER GUARD FRT WING		

Guards Rubber Rear

(Applies to RC2515 only)



35823

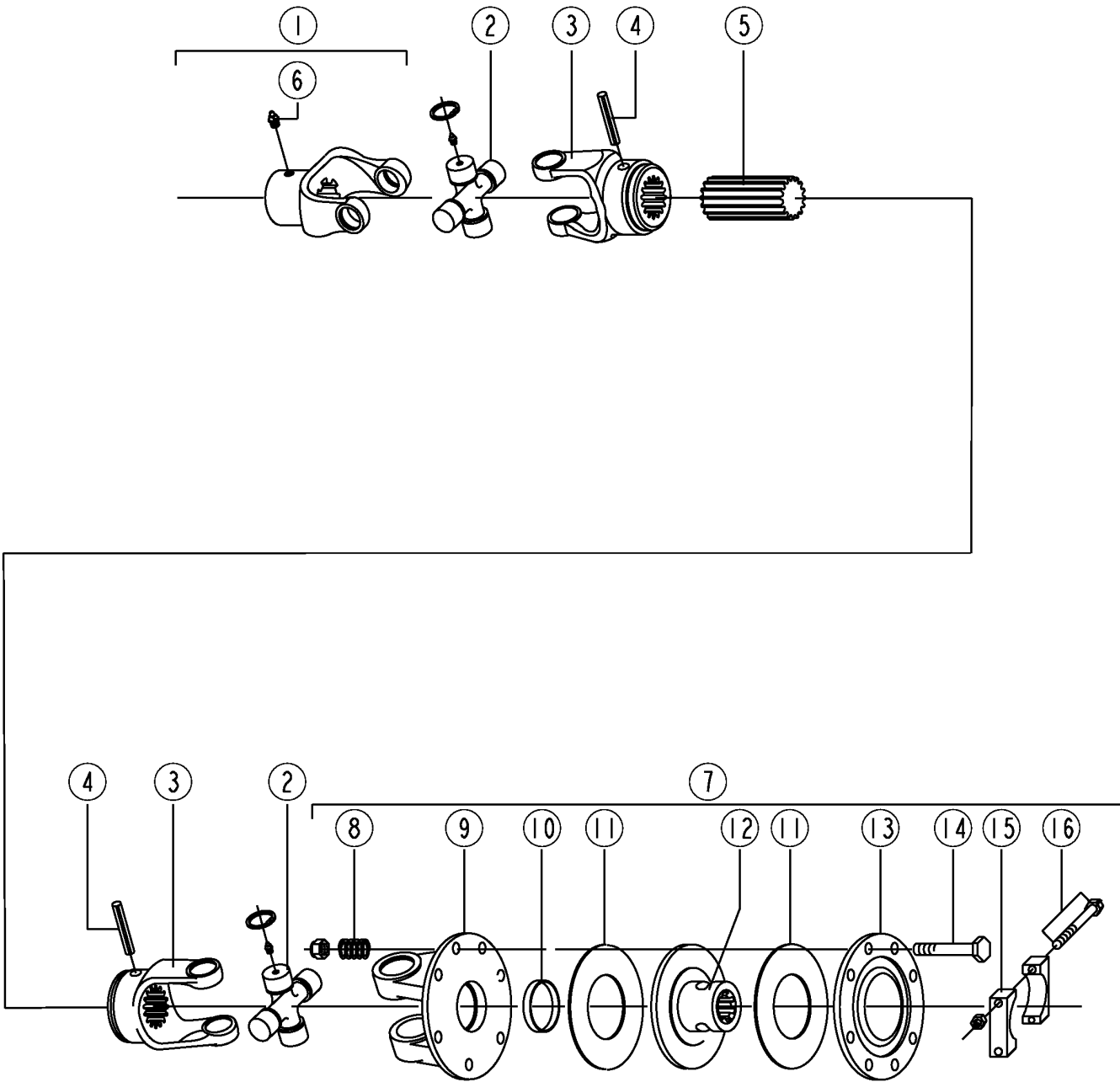
Guards Rubber Rear

(Applies to RC2515 only)

Ref	Part No.	Part Description	Comments	Revision
	Dwg 35823	Drawing Image Number		
	331-090A	RUBBER GUARDS REAR *		
1.	330-724D	BRACKET RBRGRD REAR CTR		
2.	330-725D	FLAT SUPPORT BAND		
3.	330-726D	BRACKET RBRGRD REAR WING		
4.	330-727D	FLAT SUPPORT BAND WING		
5.	331-116K	RBBRGRD REAR CTR		
6.	331-117K	RBBRGRD REAR WING		
7.	802-015C	RHSNB 3/8-16X1 GR5		
8.	803-198C	NUT HEX WHIZ 3/8-16 PLT		
9.	816-766C	RUBBER GUARD REAR CTR		
10.	816-767C	RUBBER GUARD REAR WING		

Driveline Center W/ Clutch (826-821C) Comer

(Applies to RC2515 only)



37503

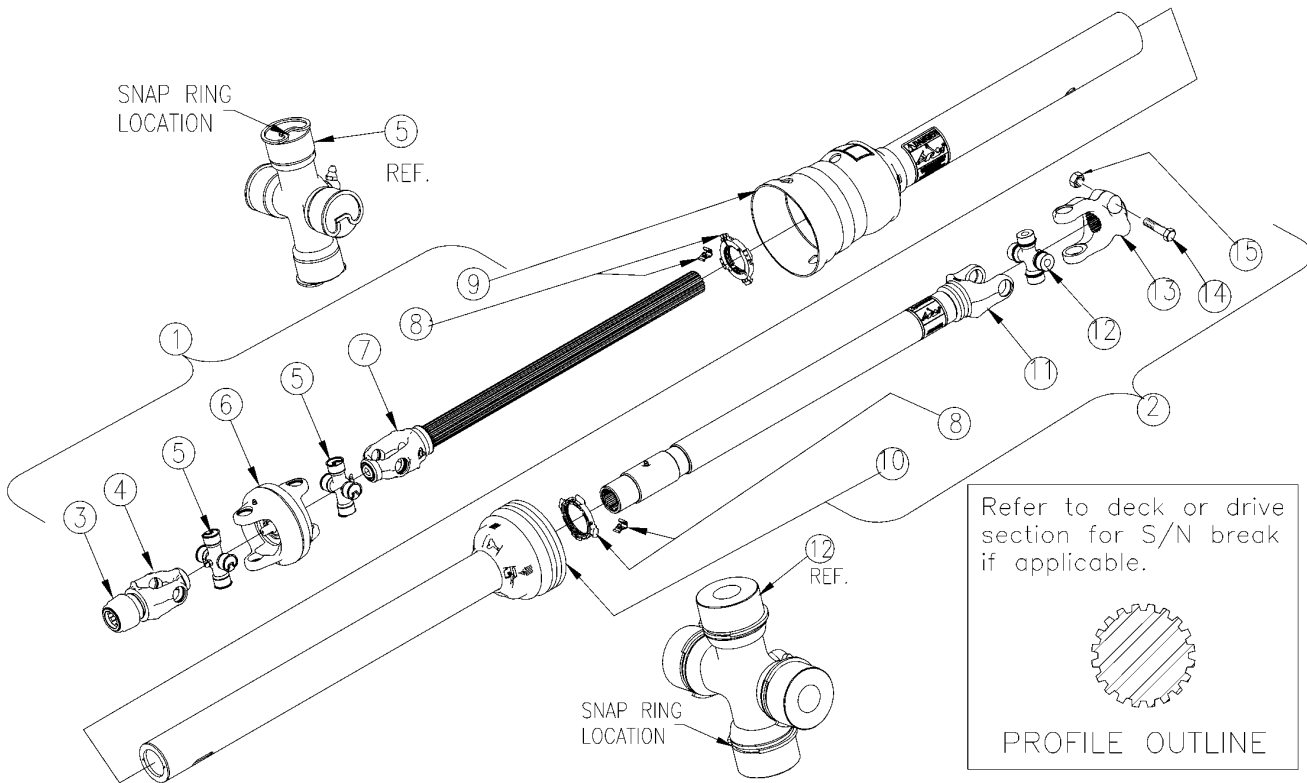
Driveline Center W/ Clutch (826-821C) Comer

(Applies to RC2515 only)

Ref	Part No.	Part Description	Comments	Revision
	Dwg 37503 826-821C	Image No. DRIVELINE, CENTER W/CLUTCH *	Complete assembly	
1.	141.024.757.1	CO SPLINED YOKE 122 W/GRS FTG		
2.	180.014.625	CO CROSS JOURNAL SET		
3.	151.014.250.1	CO SPL YOKE W/HL FOR ROLL PIN		
4.	190.000.012	CO ROLL PIN FOR INNER TUBE		
5.	155.140.642	CO SPLINED SHAFT		
6.	190.000.020	COMER GREASE FITTING		
7.	146.241.056.1	CO COMPLETE FRICTION CLTCH F15		
8.	180.014.022	COMER SPRING		
9.	151.014.756.1	COMER FLANGED YOKE		
10.	180.019.019	COMER BUSH		
11.	180.015.377	RPBY 180.015.019		
12.	151.015.424.1	CO CLUTCH SUPPORT F15		
13.	180.015.021.1	CO PRESSURE PLATE		
14.	165.000.501	COMER NUT & BOLT M10X80		
15.	151.014.201	CO COMER BRIDGE		
16.	165.000.622	CO BOLT M14X1.5X100 & NUT		

Driveline CV (826-683C) Weasler

(Applies to RC2515 only)



30643

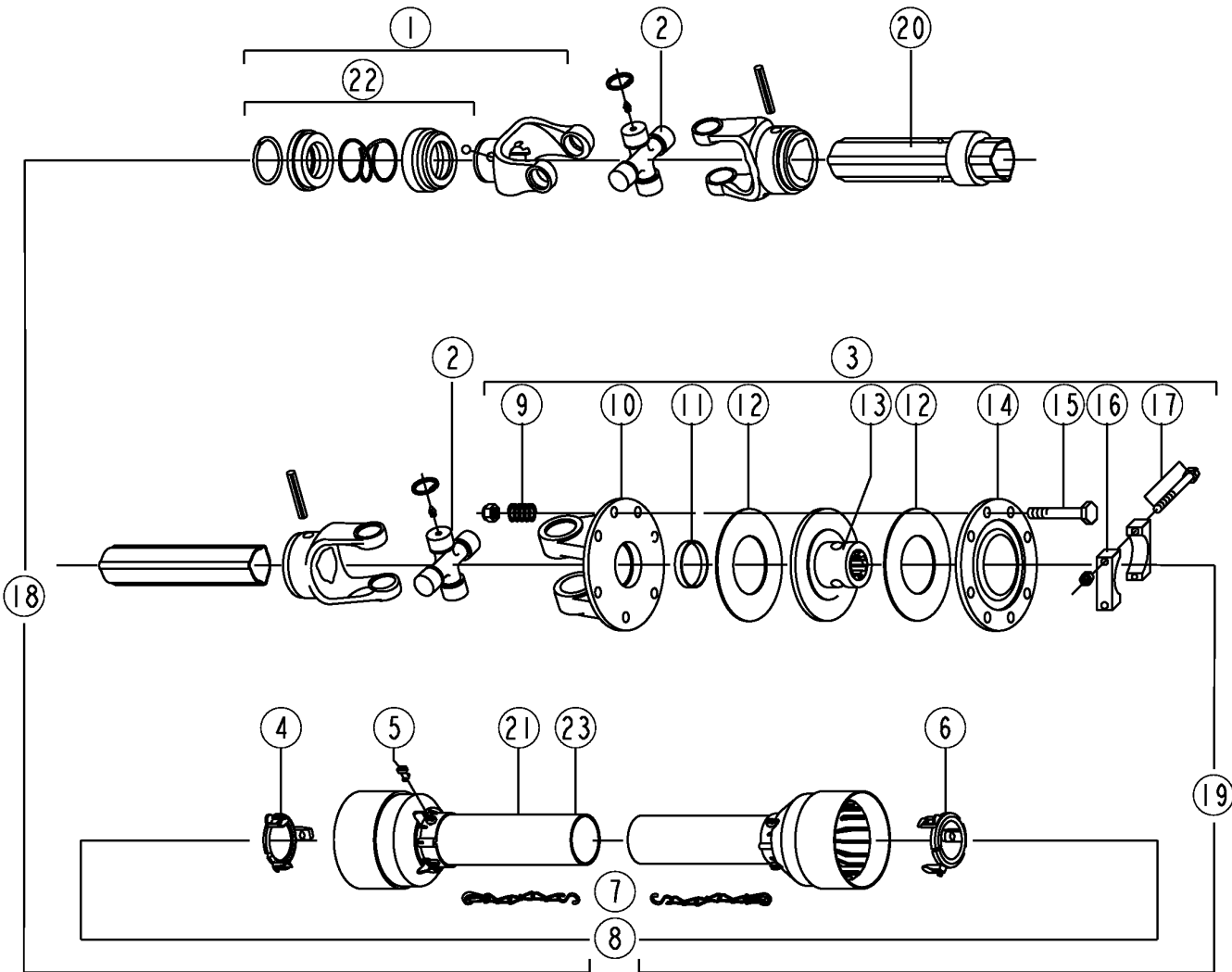
Driveline CV (826-683C) Weasler

(Applies to RC2515 only)

Ref	Part No.	Part Description	Comments	Revision
	Dwg 30643 826-683C	Drawing Image Number PTO CV 540 NO CLUTCH *	Complete assembly	
1.	93-25452	WE JOINT & SHFT HALF ASM W/GRD		
2.	92-25452	WE JOINT & TUBE HALF ASM W/GRD		
3.	26-15120	WE SSL/AUTO-LOK REPAIR KIT		
4.	86810-1008	WE WWCV AUTO-LOK YOKE ASM		
5.	03-15450	WE AB6/AW22/CAT 4 80DEG CROSS		
6.	26-15159	WE WWCV CENTER HOUSING		
7.	99-25452	WE WWCV YOKE & SHFT (1.31-20)		
8.	19-15134	WE GUARD REPAIR KIT		
9.	97-25452	WE OUTER GUARD		
10.	96-25452	WE INNER GUARD		
11.	98-25452	WE YOKE, TUBE & SLIP SLEEVE		
12.	03-10326	WE 35RBL CROSS KIT		
13.	35141-2397	WE YOKE		
14.	11-20456	WE FLG BOLT, 5/8-11X2.75 GR.8		
15.	803-263C	NUT HEX FLANGE LOCK 5/8-11 PLT		

Driveline Wing W/ Clutch (826-822C) Comer

(Applies to RC2515 only)



37504

Driveline Wing W/ Clutch (826-822C) Comer

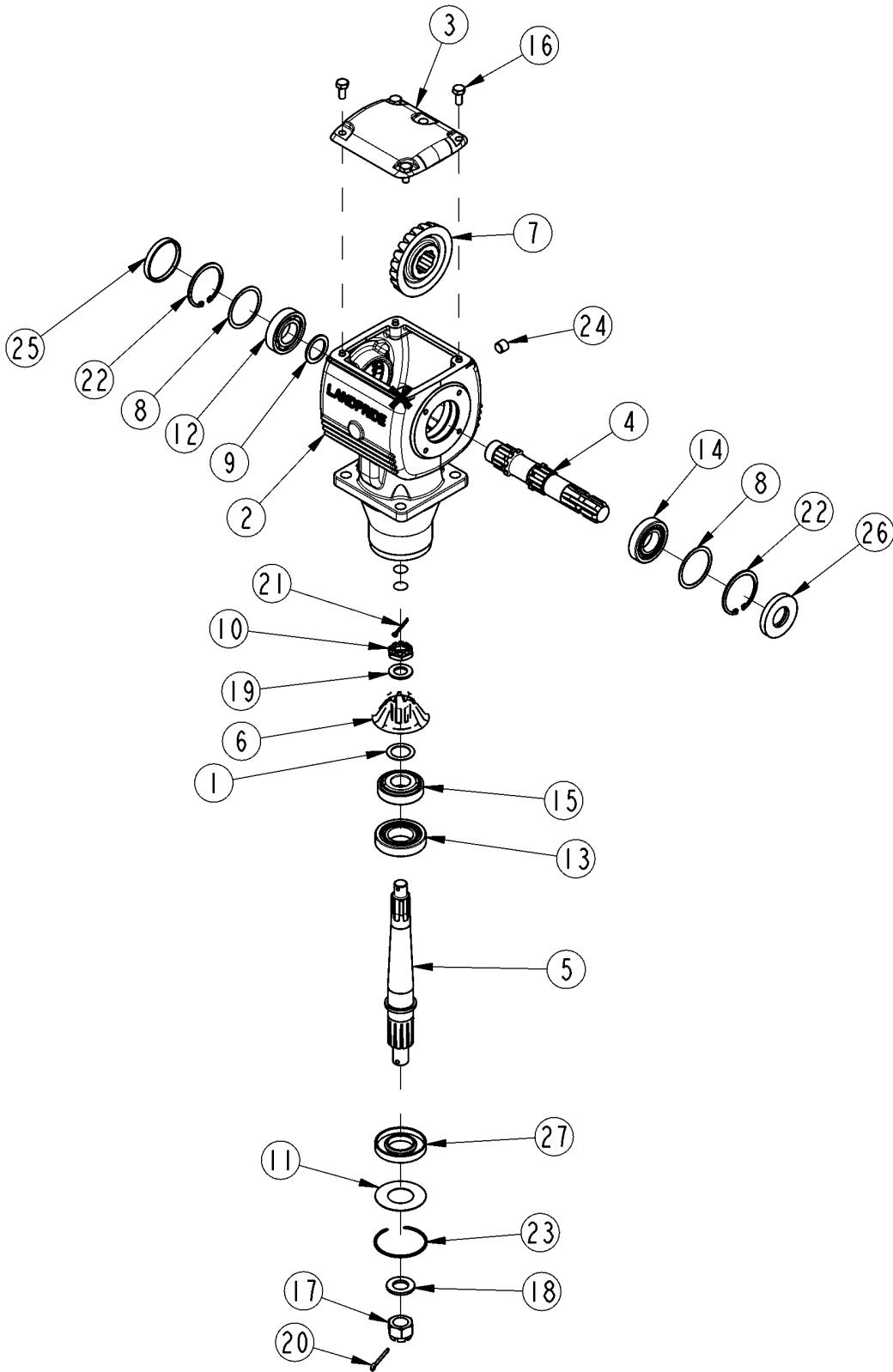
(Applies to RC2515 only)

Ref	Part No.	Part Description	Comments	Revision
	Dwg 37504 826-822C	Image No. DRIVELINE, WING W/CLUTCH *	Complete assembly	
1.	141.024.430.1	CO COMPLETE COLLAR YOKE C12		
2.	180.014.625	CO CROSS JOURNAL SET		
3.	8146.241.056.1	CO COMPLETE FRICTION CLTCH F15		
4.	8180.014.233	RPBY 180.014.233		
5.	8180.014.240	RPBY 180.014.240		
6.	8180.014.232	RPBY 180.014.232		
7.	N/A			
8.	142.240.5097421	CO COMPLETE GUARD W/MANUAL		
9.	180.014.022	COMER SPRING		
10.	151.014.756.1	COMER FLANGED YOKE		
11.	180.019.019	COMER BUSH		
12.	180.015.377	RPBY 180.015.019		
13.	8151.015.424.1	CO SPECIAL HUB F15		
14.	180.015.021.1	CO PRESSURE PLATE		
15.	165.000.501	COMER NUT & BOLT M10X80		
16.	151.014.201	CO COMER BRIDGE		
17.	165.000.622	CO BOLT M14X1.5X100 & NUT		
18.	8123.340.379.11	CO HALF FEMALE SHFT W/GUARDING		
19.	8123.440.738.11	CO HALF MALE SHAFT W/GUARD		
20.	190.000.098	COMER DANGER LABEL OUTER TUBE		
21.	190.000.099	COMER DANGER LABEL GUARD OUTER		
22.	165.000.628	COMER COLLAR KIT 1 3/8 YOKE		
23.	190.000.902	CO LABEL W/CUSTOMER CODE		

[Table of Contents](#) [Part Number Index](#)

Gearbox (826-764C)

(Applies to RC2515 only)



35156

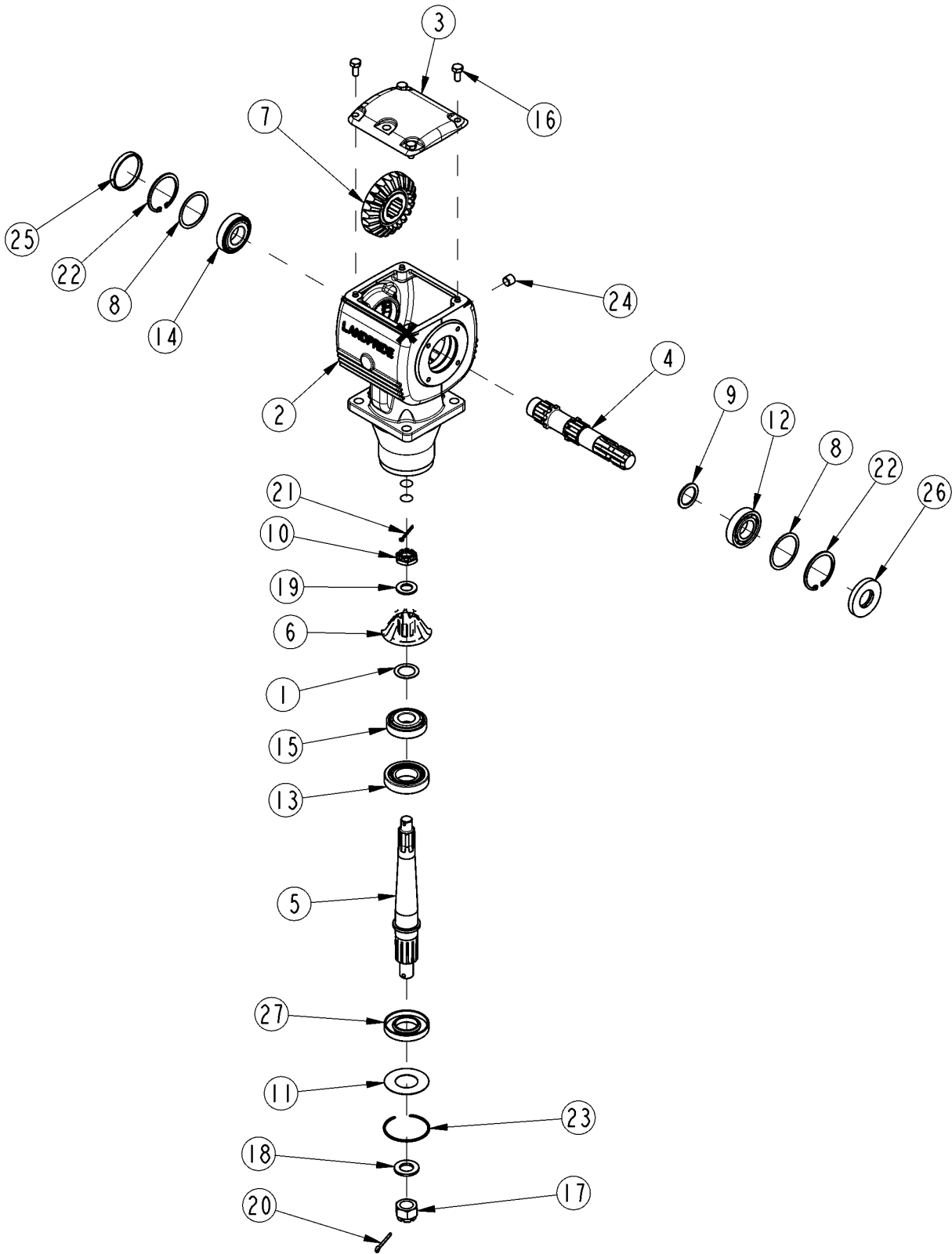
Gearbox (826-764C)

(Applies to RC2515 only)

Ref	Part No.	Part Description	Comments	Revision
	Dwg 35156 826-764C	Drawing Image Number GBOX RC25 1 3/8-6 1:1.47 STD *	Complete assembly	
1.	0.102.7500.00	CO SHIM KIT (30.3X44)		
2.	0.209.0301.00	CO CASTING & MACHINING		
3.	0.209.1300.00	CO COVER		
4.	0.209.2004.00	CO 1"3/8 Z6 INPUT SHAFT		
5.	0.209.3001.00	CO OUTPUT SHAFT D.P. 8/16 Z12		
6.	0.240.5000.00	CO PINION GEAR Z15 M5.5		
7.	0.240.6000.00	CO CROWN GEAR Z22 M5.5		
8.	A.248.500	COMER SHIM KIT 71.7		
9.	0.259.7525.00	CO SHIM 35.3 X 48 X 2.5		
10.	0.289.7102.02	CO CASTLE NUT (M20X1)		
11.	1.135.7100.00	CO WASHER PROTECTIVE		
12.	822-166C	BRG BALL 1.37IDX2.83OD 6207		
13.	822-191C	BRG ROLLER 1.57IDX3.14OD SET		
14.	822-167C	BRG ROLLER 1.37IDX2.83OD SET		
15.	8.0.9.01049	CO RLR BRG 30306 (30X72X20.75)		
16.	8.1.1.00501	CO BOLT M10X22 HHB		
17.	8.2.2.00515	CO NUT, CASTLE M24 X 2		
18.	8.3.2.00409	CO FLAT WASHER 25 X 44 X 4		
19.	8.3.2.00531	CO FLAT WASHER (21X37X3)		
20.	826-487C	COMER 8.4.7.00516 COTTER		
21.	8.4.7.00823	COTTER PIN (4X40)		
22.	8.5.2.00131	CO SNAP RING INT 72 UN17437		
23.	8.5.3.00955	CO SNAP RING SB 81		
24.	8.6.6.00201	CO PLUG 3/8 GAS (SOLID PLUG)		
25.	8.7.0.00744	CO CAP 72 X 10		
26.	8.7.1.00152	OIL SEAL, 35 X 72 X 12/10		
27.	8.7.1.00748	CO DOUBLE LIP SEAL 40X80X12		

Gearbox (826-765C)

(Applies to RC2515 only)



35157

Gearbox (826-765C)

(Applies to RC2515 only)

Ref	Part No.	Part Description	Comments	Revision
	Dwg 35157 826-765C	Drawing Image Number GBOX RC25 1.38-6 1:1.47 REV *	Complete assembly	
1.	0.102.7500.00	CO SHIM KIT (30.3X44)		
2.	0.209.0301.00	CO CASTING & MACHINING		
3.	0.209.1300.00	CO COVER		
4.	0.209.2004.00	CO 1"3/8 Z6 INPUT SHAFT		
5.	0.209.3001.00	CO OUTPUT SHAFT D.P. 8/16 Z12		
6.	0.240.5000.00	CO PINION GEAR Z15 M5.5		
7.	0.240.6000.00	CO CROWN GEAR Z22 M5.5		
8.	A.248.500	COMER SHIM KIT 71.7		
9.	0.259.7525.00	CO SHIM 35.3 X 48 X 2.5		
10.	0.289.7102.02	CO CASTLE NUT (M20X1)		
11.	1.135.7100.00	CO WASHER PROTECTIVE		
12.	822-166C	BRG BALL 1.37IDX2.83OD 6207		
13.	822-191C	BRG ROLLER 1.57IDX3.14OD SET		
14.	822-167C	BRG ROLLER 1.37IDX2.83OD SET		
15.	8.0.9.01049	CO RLR BRG 30306 (30X72X20.75)		
16.	8.1.1.00501	CO BOLT M10X22 HHB		
17.	8.2.2.00515	CO NUT, CASTLE M24 X 2		
18.	8.3.2.00409	CO FLAT WASHER 25 X 44 X 4		
19.	8.3.2.00531	CO FLAT WASHER (21X37X3)		
20.	826-487C	COMER 8.4.7.00516 COTTER		
21.	8.4.7.00823	COTTER PIN (4X40)		
22.	8.5.2.00131	CO SNAP RING INT 72 UN17437		
23.	8.5.3.00955	CO SNAP RING SB 81		
24.	8.6.6.00201	CO PLUG 3/8 GAS (SOLID PLUG)		
25.	8.7.0.00744	CO CAP 72 X 10		
26.	8.7.1.00152	OIL SEAL, 35 X 72 X 12/10		
27.	8.7.1.00748	CO DOUBLE LIP SEAL 40X80X12		

Gearbox Divider 540 RPM (826-280C) Comer

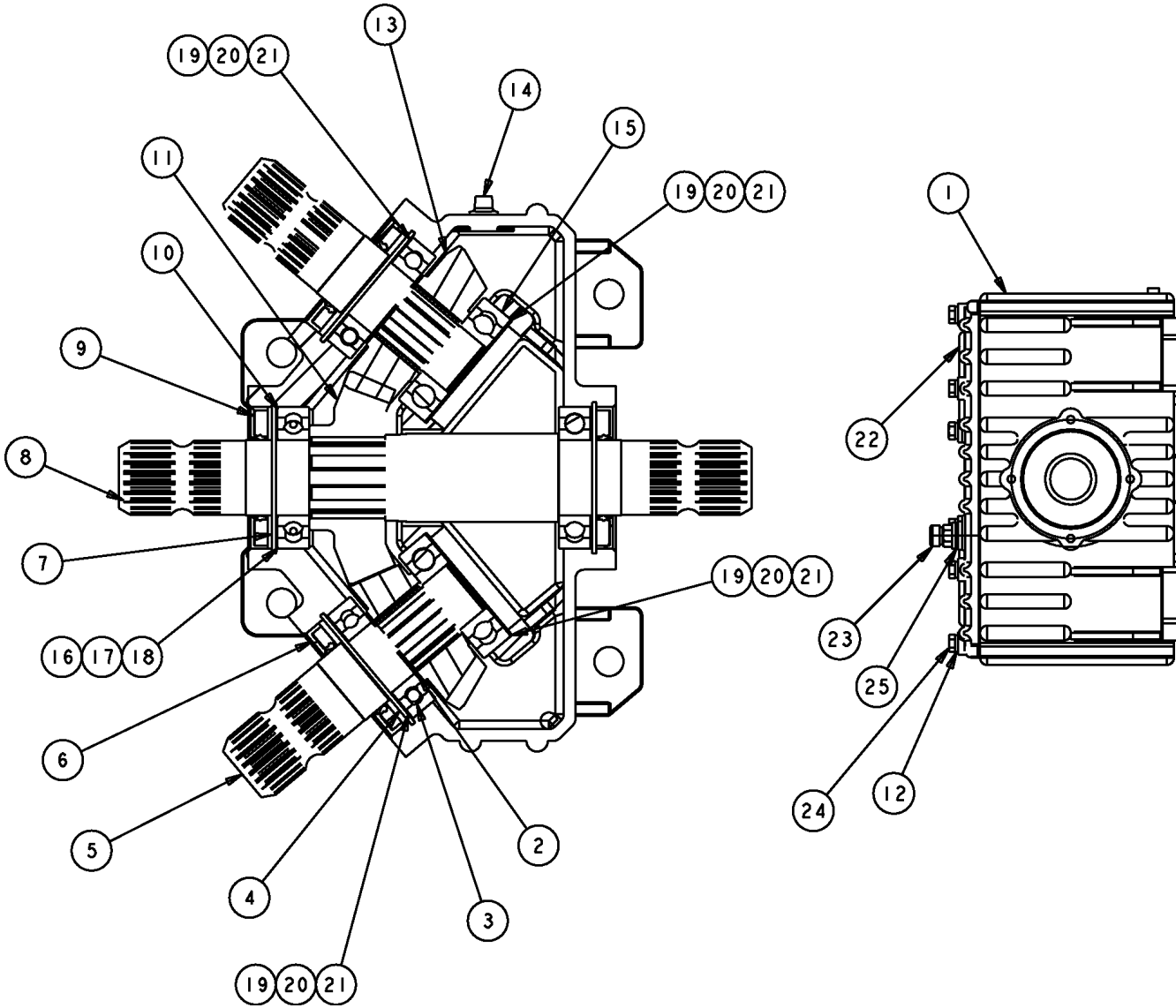
(Applies to RC2515 only)

Ref	Part No.	Part Description	Comments	Revision
	Dwg 18782 826-280C	Drawing Image Number DIVIDER OMNI/CO 540RPM SU *	Complete assembly	
1.	8.1.1.00449	CO BOLT M8X30 8.8		
2.	8.3.7.00140	CO SPRING WASHER 8.4X13X1.2		
3.	0.265.1501.00	CO COVER T1		
4.	822-189C	BALL BEARING 6209		
5.	8.5.2.00332	CO SNAP RING UNI 7437		
6.	8.7.3.00331	CO OIL SEAL 45 X 85 X 10		
7.	0.265.0300.00	CO CASING		
8.	0.267.7500.00	CO SHIM 79.9		
9.	822-190C	BALL BEARING 6307		
10.	0.265.5203.00	CO PINION Z20		
11.	8.5.1.00680	CO SNAP RING 40 UNI 7436		
12.	822-188C	BALL BEARING 6208		
13.	8.5.2.00030	CO SNAP RING 80 UNI 7437		
14.	0.263.3002.00	CO SHAFT 1 3/4-20		
15.	8.7.3.00398	CO OIL SEAL 45 X 80 X 10		
16.	0.263.2004.00	CO SHAFT 1 3/4 Z20		
17.	8.5.3.01012	CO SNAP RING SW 47		
18.	0.263.5001.00	CO GEAR Z24		
19.	0.709.7500.00	CO SHIM 84.7		
20.	8.6.6.00201	CO PLUG 3/8 GAS		
21.	8.6.7.00269	CO 1/2" GAS BREATHER PLUG *		

Notes: Oil Type 80-90W Capacity 3.5 Pints

Gearbox Divider 540 RPM (826-280C) SD Engineering

(Applies to RC2515 only)



39794

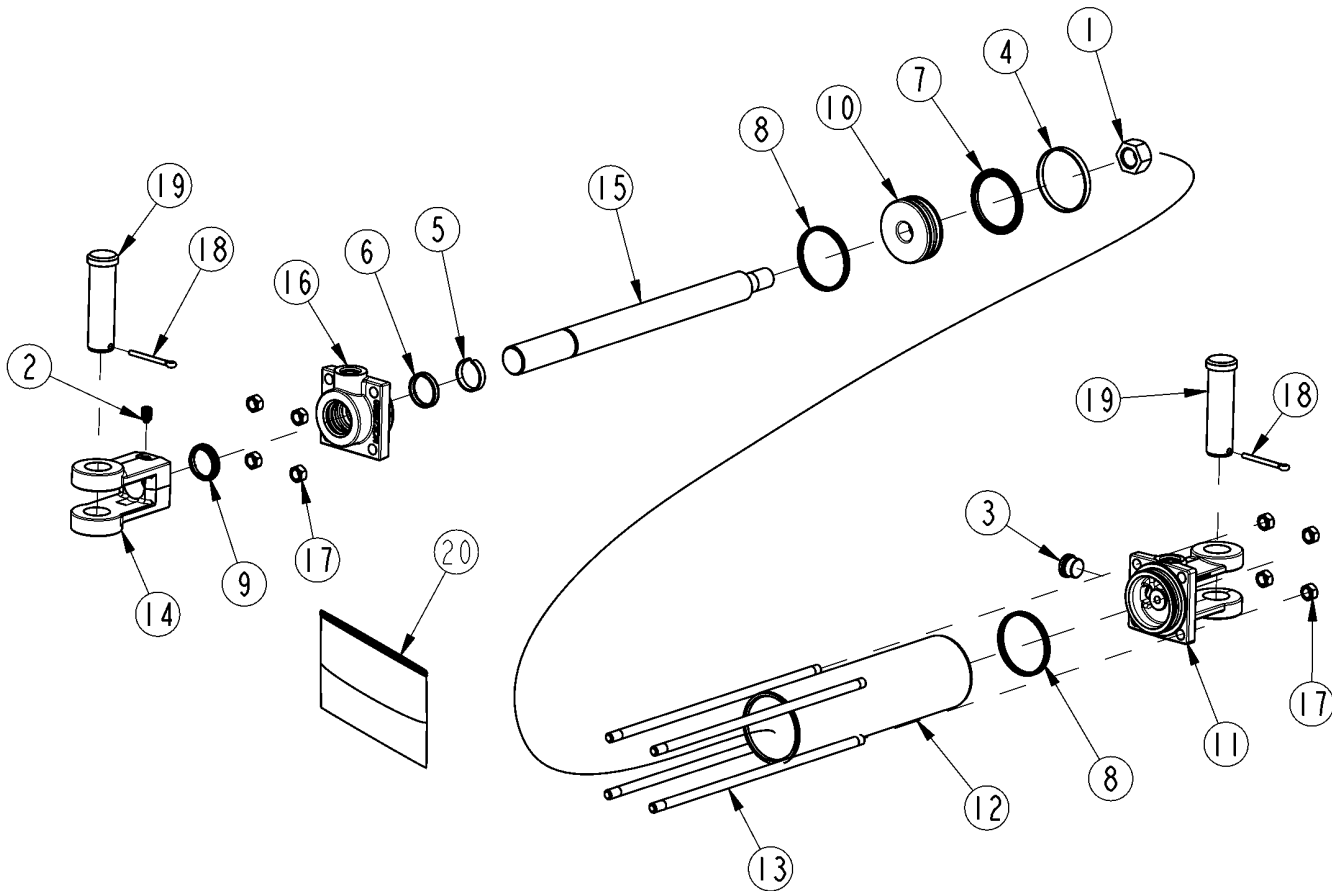
Gearbox Divider 540 RPM (826-280C) SD Engineering

(Applies to RC2515 only)

Ref	Part No.	Part Description	Comments	Revision
	Dwg 33915 826-280C	Drawing Image Number DIV. OMNI/CO 540RPM SU *	Complete assembly	
1.	18-120	SD HOUSING		
2.	21-012	ITG RETAINING RING		
3.	822-188C	BRG BALL 6208		
4.	21-008	SD RETAINING RING		
5.	02-223	SD OUTPUT SHAFT		
6.	05-049	SD OIL SEAL 45X80X10		
7.	21-037	SD RETAINING RING 85		
8.	02-222	SD THRU SHAFT		
9.	05-050	SD OIL SEAL 45X85X10		
10.	04-136	SD BALL BEARING 209		
11.	03-180	SD 24 TOOTH GEAR		
12.	07-025	SD M8 HELICAL SPRING LOCK WSHR		
13.	03-181	SD 20 TOOTH GEAR		
14.	09-004	SD 3/8-18 NPT SQ HEAD PLUG		
15.	04-112	SD BALL BEARING 307		
16.	17-042	SD SHIM (0.20)		
17.	17-043	SD SHIM (0.30)		
18.	17-044	SD SHIM (0.50)		
19.	17-045	SD SHIM (0.20)		
20.	17-046	SD SHIM (0.30)		
21.	17-047	SD SHIM (0.50)		
22.	20-124	SD INSPECTION CAP COVER		
23.	09-011	ITG M18 X 1.5P PLUG VENTED		
24.	06-038	SD M8X1.25X40 HEX HEAD CAPP SW		
25.	07-022	ITG SEALING WASHER		

Hydraulic Cylinder (810-865C)

(Applies to RC2515 only)



35494

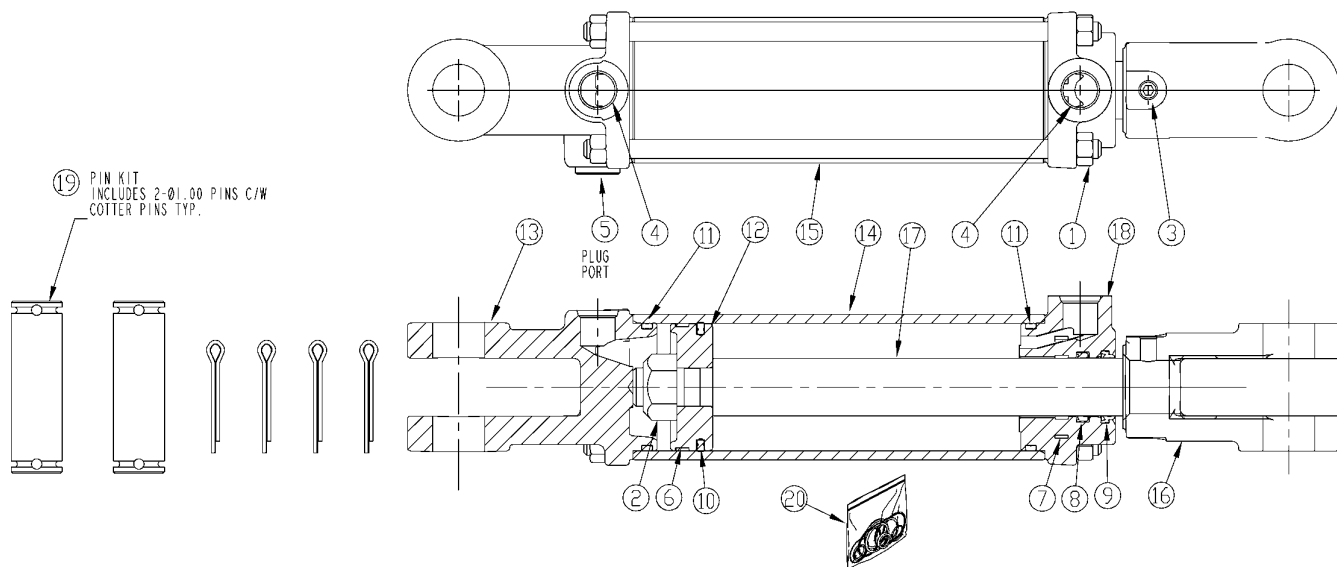
Hydraulic Cylinder (810-865C)

(Applies to RC2515 only)

Ref	Part No.	Part Description	Comments	Revision
	Dwg 35494 810-865C	Drawing Image Number CYL 2.5X8X1.12 ROD (TIE) *	Complete assembly	
1.	130556	MON PISTON NUT		
2.	148000	MON NYLON THREAD PROTECTOR		
3.	186562	LION PLUG 3/4-16UNF SOCKET HD		
4.	N/A	MON WEAR RING 2.50-2.38-0.250	Found in Seal Kit #20	
5.	N/A	MON WEAR RING 1.25-1.13-0.250	Found in Seal Kit #20	
6.	N/A	MON SEAL ZURCON U-CUP RU9 1.13	Found in Seal Kit #20	
7.	N/A	MON SEAL ZURCON WYNSEAL 2.50	Found in Seal Kit #20	
8.	N/A	MON SEAL DUAL 2.50	Found in Seal Kit #20	
9.	N/A	MON SEAL WIPER 1.13 WNUC TSS	Found in Seal Kit #20	
10.	258818	MON PISTON 2.50-.750-TSS-ISO-WR		
11.	292674	MON CLEVIS CAP 2.50-3/4ORB-1.0		
12.	491668	LION CYL. TUBE 2.5 X 8		
13.	492218	LION TIE ROD 3/8, 8 CYL		
14.	492650	LION ROD CLEVIS 1 1/8-12UNF		
15.	492699	LION ROD 1.125 ASAE 8		
16.	494273	MON RODCAP 2.50-1.12-3/4ORB-TSS		
17.	803-014C	NUT HEX 3/8-16 PLT		
18.	805-017C	PIN COTTER 3/16 X 1 3/4 PLT		
19.	805-090C	PIN CLVS 1.0X3.20 USBL		
20.	810-886C	MON SEAL KIT 661701		

Hydraulic Cylinder (810-908C)

(Applies to RC2515 only)



35495

Hydraulic Cylinder (810-908C)

(Applies to RC2515 only)

Ref	Part No.	Part Description	Comments	Revision
	Dwg 35495 810-908C	Drawing Image Number CYL 2.5X10X1.12 ROD (TIE) *	Complete assembly	
1.	803-014C	NUT HEX 3/8-16 PLT		
2.	130556	MON PISTON NUT		
3.	148000	MON NYLON THREAD PROTECTOR		
4.	174136	MON THD PROT 3/4-16UN ORB ZINC		
5.	186562	LION PLUG 3/4-16UNF SOCKET HD		
6.	N/A	MON WEAR RING 2.50-2.38-0.250	Found in Seal Kit #20	
7.	N/A	MON WEAR RING 1.25-1.13-0.250	Found in Seal Kit #20	
8.	N/A	MON SEAL ZURCON U-CUP RU9 1.13	Found in Seal Kit #20	
9.	N/A	MON SEAL WIPER 1.13 WNUC TSS	Found in Seal Kit #20	
10.	N/A	MON SEAL ZURCON WYNSEAL 2.50	Found in Seal Kit #20	
11.	N/A	MON SEAL DUAL 2.50	Found in Seal Kit #20	
12.	258818	MON PISTON 2.50-.750-TSS-ISO-WR		
13.	292674	MON CLEVIS CAP 2.50-3/4ORB-1.0		
14.	491670	LION TUBE		
15.	492220	LION TIE ROD		
16.	492650	LION ROD CLEVIS 1 1/8-12UNF		
17.	492852	ROD CYL 1.12-10-0.75-1.12		
18.	494273	MON ROD CAP 2.50-1.12-3/4ORB-TSS		
19.	235005	MON PIN KIT 1.00C/W COTTER PIN		
20.	810-886C	MON SEAL KIT 661701		

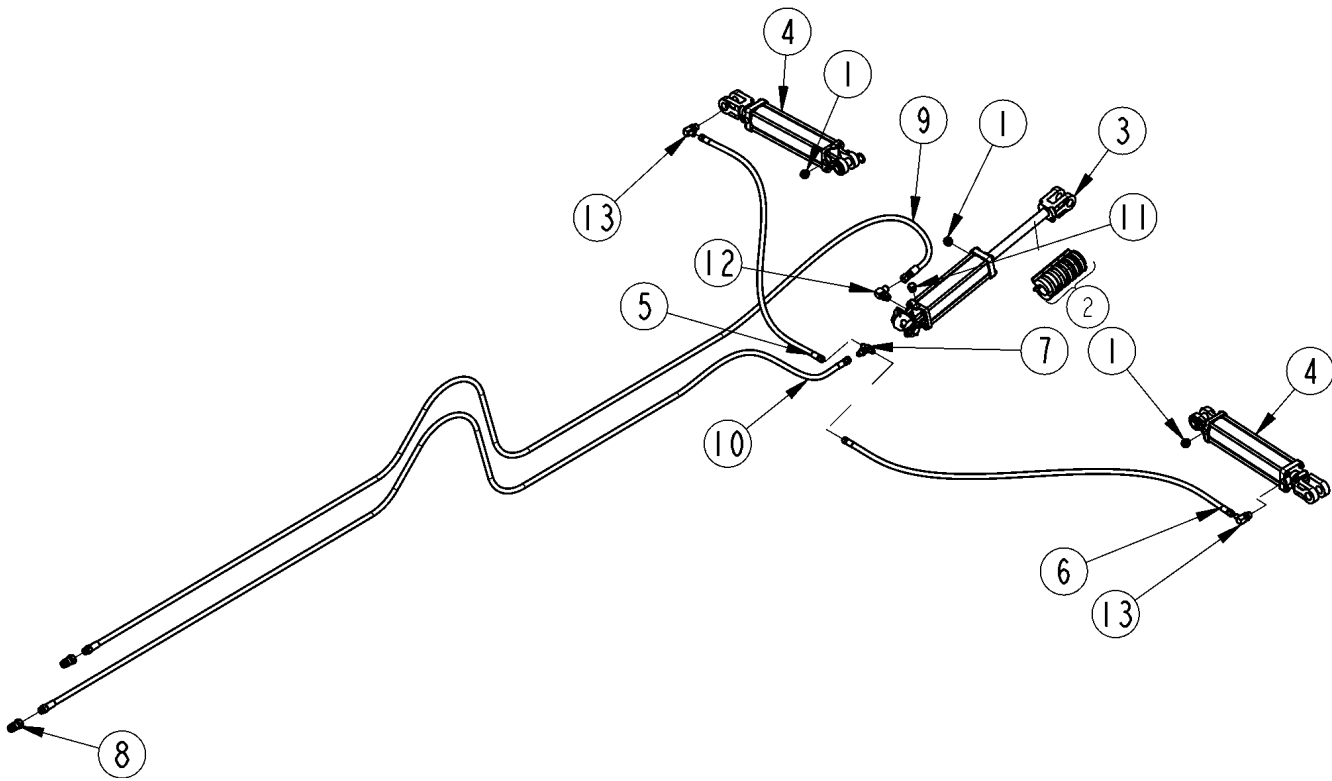
Hydraulic Cylinder Mounting & Wing Lock

(Applies to RC2515 only)

Ref	Part No.	Part Description	Comments	Revision
	Dwg 35151	Drawing Image Number		
1.	318-018H	WLDMT. CYLINDER PIN		
2.	330-291D	TRUNNION ARM		
3.	330-294D	SPACER TRUNNION ARM		
4.	330-735S	TRANSPORT BAR W/ DECALS		
5.	802-254C	HHCS 5/8-11X5 1/2 GR5		
6.	802-269C	HHCS 1/2-13X9 GR5		
7.	802-715C	HHB 1-8X6 GR8 PLT SPTHD		
8.	803-038C	NUT HEX 1-8 NYLON INSERT PLT		
9.	803-147C	NUT HEX NYLOCK 1/2-13		
10.	803-148C	NUT HEX NYLOCK 5/8-11 PLT		
11.	804-017C	WASHER FLAT 1/2 USS PLT		
12.	804-029C	WASHER FLAT 1 SAE		
13.	805-088C	PIN, HAIR COTTER 3/16 WIRE DIA		
14.	805-104C	PIN COTTER 3/16 X 1 1/2 PLT		
15.	805-229C	PIN CLVS HDLS 1.0X4.88 USBL		
16.	807-271C	SPRING COMP 3.20OD .63W 5.5L		
17.	812-388C	SWIVEL CAST		
18.	827-001C	SPACER 1/2		

Hydraulic Lift Plumbing Dual Remote

(Applies to RC2515 only)



35152

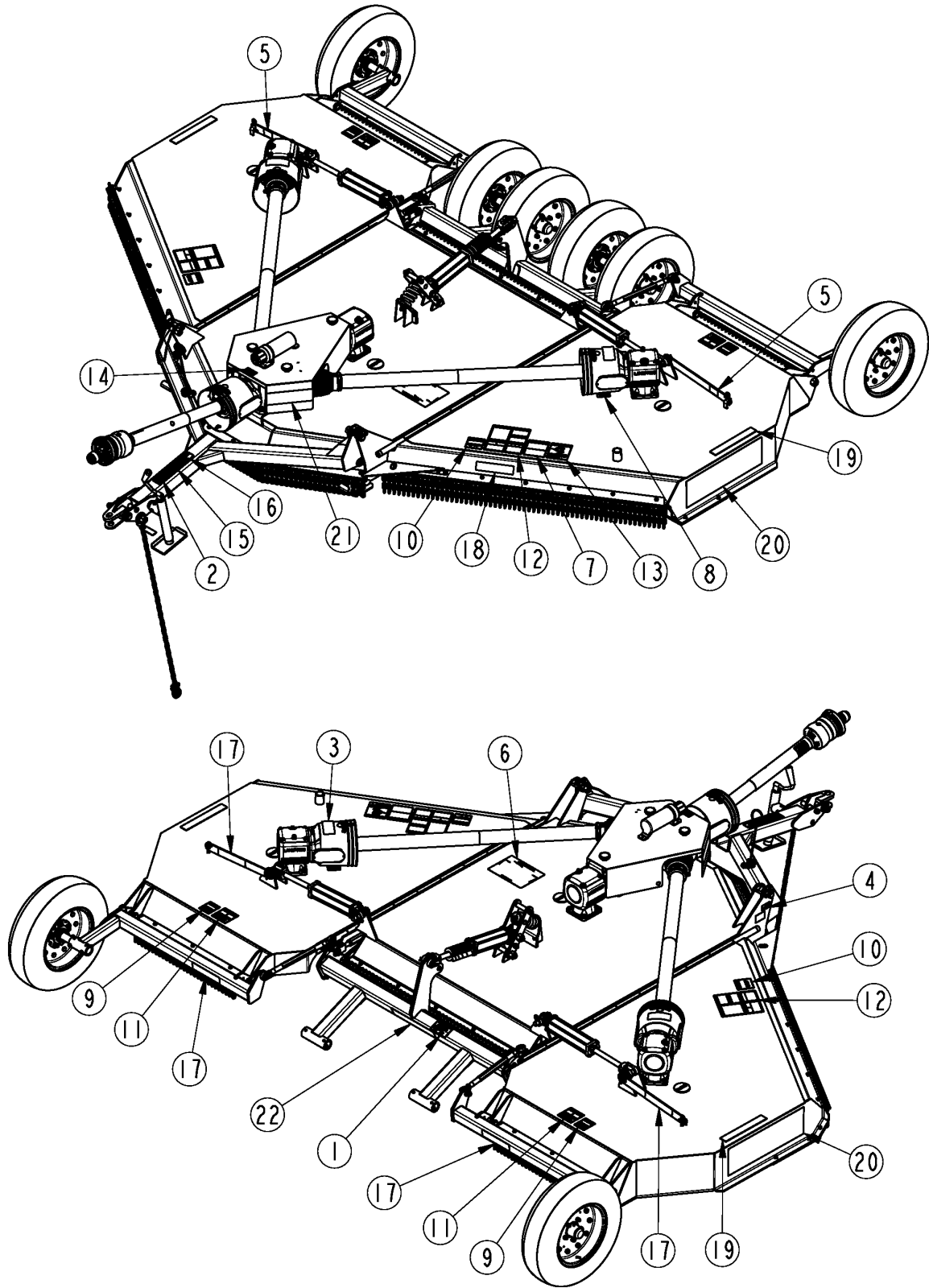
Hydraulic Lift Plumbing Dual Remote

(Applies to RC2515 only)

Ref	Part No.	Part Description	Comments	Revision
	Dwg 35152	Drawing Image Number		
1.	800-094C	FILL PLUG VENTED 3/4-16 PLT		
2.	810-818C	STRK CNTRL SPCRS 1.125 TO 1.50		
3.	810-865C	CYL 2.5X8X1.12 ROD (TIE)		
4.	810-908C	CYL 2.5X10X1.12 ROD (TIE)		
5.	811-180C	HH1/4R1 057 9/16FJIC		
6.	811-180C	HH1/4R1 057 9/16FJIC		
7.	811-356C	TE 9/16MJIC BH 9/16MJIC 9/16MJ		
8.	811-394C	CP 3/4FORB MALE QD POPPET TYPE		
9.	811-619C	HH3/8R1 168 3/4MORB 3/4FJIC		
10.	811-633C	HH3/8R1 162 3/4MORB 9/16 FJIC		
11.	811-857C	PL 3/4MORB		
12.	841-205C	OREL 1/32 3/4MJIC 3/4MORB		
13.	841-284C	OREL 1/16 9/16MJIC 3/4MORB		

Decal Placement

(Applies to RC2515 only)



39911

Decal Placement

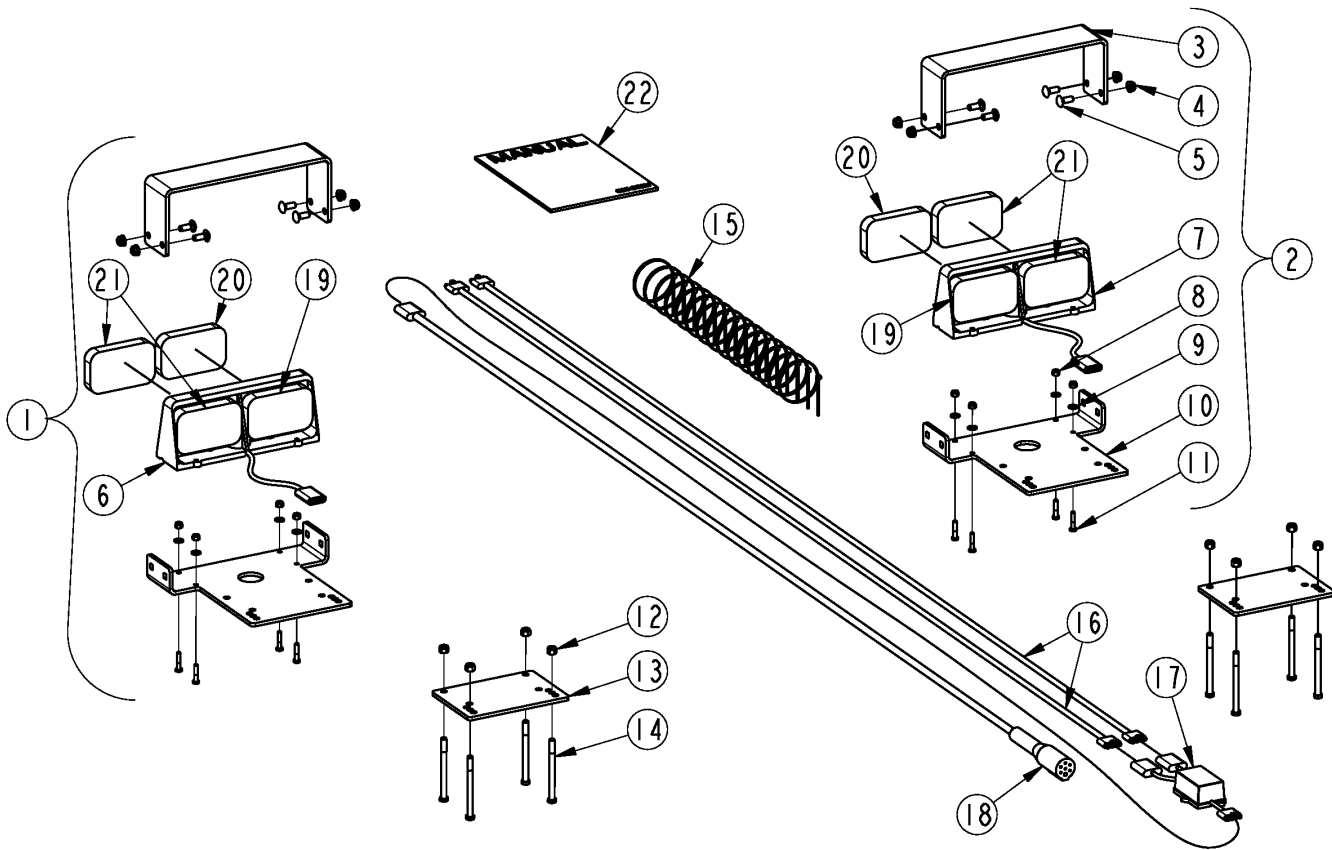
(Applies to RC2515 only)

Ref	Part No.	Part Description	Comments	Revision
	Dwg 35153	Drawing Image Number		
1.	818-045C	DECAL WARNING PINCH PT/CRUSH		
2.	818-130C	DECAL CAUTION 540 RPM		
3.	818-142C	DECAL DANGER PTO DRIVELINE EN		
4.	818-190C	DECAL FLAG		
5.	818-229C	DECAL AMBER REFLECTOR		
6.	818-268C	DECAL BLADE ROTATION		
7.	818-276C	DECAL WARNING OPERATING ANGLE		
8.	818-543C	DECAL DANGER PD GUARD MISS SML		
9.	818-556C	DECAL DANGER THROWN OBJ CUTTER		
10.	818-561C	DECAL DANGER RAISED WING HAZAR		
11.	818-564C	DECAL DANGER ROTATING BLADES		
12.	818-830C	DECAL SAFETY COMBO SUNWEST		
13.	818-840C	DECAL DANGER ROLLOVER HAZARD		
14.	818-862C	DECAL 5 YEAR GEARBOX WARRANTY		
15.	838-094C	DECAL WARNING HYD PRESS LONG		
16.	838-588C	FOLDING CUTTER SPEED WARNING		
17.	838-614C	DECAL REFLECTOR RED 2X9		
18.	838-615C	DECAL REFLECTOR AMBER 2X9		
19.	858-732C	DECAL RC2515 GREAT PLAINS		
20.	858-767C	DECAL GREATPLAINS 25" CTR LOGO		
21.	858-768C	DECAL GREATPLAINS 11" CTR LOGO		
22.	858-769C	DECAL GREATPLAINS 14" LH LOGO		

[Table of Contents](#) [Part Number Index](#)

Lights 2.5 Inch (LED) Retro-Fit (334-576A)

(Applies to RC2515 only)



37671

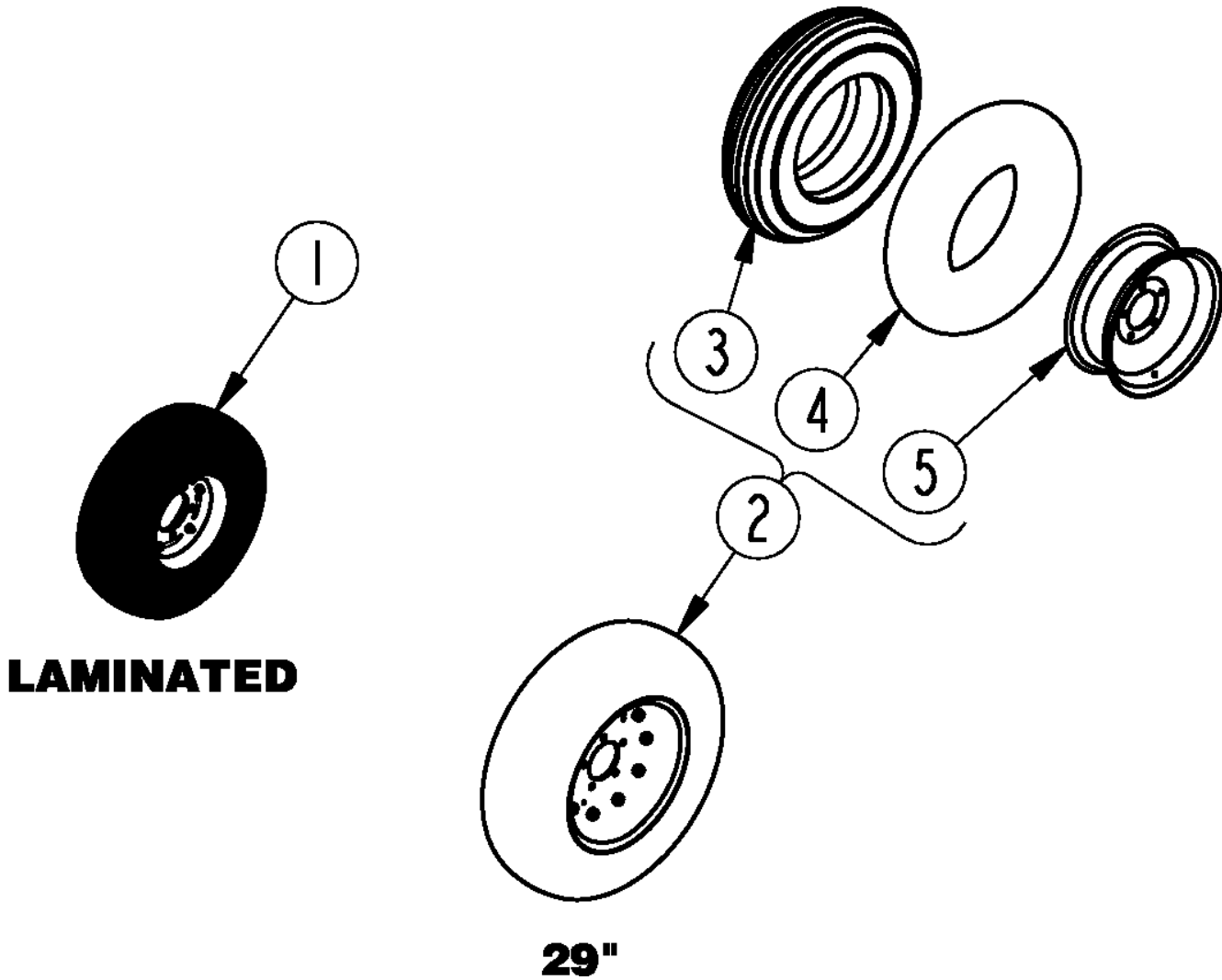
Lights 2.5 Inch (LED) Retro-Fit (334-576A)

(Applies to RC2515 only)

Ref	Part No.	Part Description	Comments	Revision
	Dwg 37671	Image No.		
	334-443L	FOLDING CUTTER LIGHT KIT 2.5"	Complete assembly	
	334-574M	ROTARY CUTTER LIGHT KIT MANUAL	Light kit manual	
1.	330-965D	LIGHT MNT		
2.	330-966D	LIGHT GUARD		
3.	330-967D	LIGHT MNT CLAMP		
4.	331-471S	RH LIGHT ASSY		
5.	331-472S	LH LIGHT ASSY		
6.	800-060C	CABLE TIE .19X14.25 3DIA 50LB		
7.	802-015C	RHSNB 3/8-16X1 GR5		
8.	802-223C	HHCS 3/8-16X4 GR5		
9.	802-224C	HHCS 1/4-20X1 1/4 GR5		
10.	803-078C	NUT LOCK 3/8-16 NYLON INSERT		
11.	803-209C	NUT FLANGE LOCK 3/8-16 PLT		
12.	803-255C	NUT HEX NYLOCK 1/4-20		
13.	804-007C	WASHER FLAT 1/4 SAE PLT		
14.	891-522C	DUAL LED LIGHT LH	Complete light assembly (Goes on 331-472S)	
14.	J-37-R	RED LED LENS MODULE	Red lens	
14.	J-37-A	AMBER LED LENS MODULE	Amber lens	
14.	J-AC1-15-B	BLACK LENS COVER	Black lens	
14.	891-523C	DUAL LED LIGHT RH	Complete light assembly (Goes on 331-471S)	
14.	J-37-R	RED LED LENS MODULE	Red lens	
14.	J-37-A	AMBER LED LENS MODULE	Amber lens	
14.	J-AC1-15-B	BLACK LENS COVER	Black lens	
15.	891-529C	RH LIGHT WIRE HARNESS 8'		
16.	891-530C	LH LIGHT WIRE HARNESS 8'		
17.	891-531C	ENHANCE MODULE		
18.	891-532C	LEAD WIRE HARNESS 8'		

Tire Options

(Applies to RC2515 only)



39060

Tire Options

(Applies to RC2515 only)

Ref	Part No.	Part Description	Comments	Revision
	Dwg 39060	Drawing Image Number		
1.	814-265C	TIRE & WHL LAM. 6X9X21(5-BOLT)		
2.	814-449C	TIRE, AC 29" 16 PLY 5 BOLT		
3.	814-450C	TIRE H29X9.0X15 USED		
4.	814-451C	TUBE FOR 29X9.0-15		
5.	814-461C	RIM 2PC 5BLT 15X6.5		



Part Number Index

The Part Number Index is a numeric index of all part numbers included in this manual. The index shows what page(s) the part is used on.

Part Number	Page	Part Number	Page	Part Number	Page	Part Number	Page
0.102.7500.00	39, 41	21-008	45	331-113K	29	803-014C	47, 49
0.209.0301.00	39, 41	21-012	45	331-114K	29	803-019C	19, 21
0.209.1300.00	39, 41	21-037	45	331-115K	29	803-029C	23
0.209.2004.00	39, 41	235005	49	331-116K	31	803-038C	19, 21, 51
0.209.3001.00	39, 41	258818	47, 49	331-117K	31	803-075C	15
0.240.5000.00	39, 41	26-15120	35	331-465H	13	803-078C	17, 57
0.240.6000.00	39, 41	26-15159	35	331-471S	17, 57	803-147C	51
0.259.7525.00	39, 41	292674	47, 49	331-472S	17, 57	803-148C	9, 11, 13, 51
0.263.2004.00	43	312-075D	7	331-498A	17	803-168C	13
0.263.3002.00	43	312-082D	7	334-443L	17, 57	803-169C	9
0.263.5001.00	43	312-089D	7	334-574M	57	803-170C	7
0.265.0300.00	43	312-602D	11	35141-2397	35	803-198C	11, 25, 27, 29, 31
0.265.1501.00	43	312-808D	7	491668	47	803-209C	13, 17, 57
0.265.5203.00	43	318-008H	15	491670	49	803-215C	11
0.267.7500.00	43	318-018H	51	492218	47	803-255C	9, 17, 57
0.289.7102.02	39, 41	318-106D	25	492220	49	803-258C	13
0.709.7500.00	43	318-336D	25	492650	47, 49	803-263C	35
02-222	45	318-337D	25	492699	47	803-265C	15
02-223	45	318-401H	9	492852	49	803-299C	15
03-10326	35	318-478D	27	494273	47, 49	803-310C	23
03-15450	35	318-586A	7	8.0.9.01049	39, 41	804-007C	9, 17, 57
03-180	45	326-535D	27	8.1.1.00449	43	804-009C	9, 11
03-181	45	326-993D	25, 29	8.1.1.00501	39, 41	804-010C	9, 11
04-112	45	326-994D	25, 29	8.2.2.00515	39, 41	804-011C	13
04-136	45	330-291D	51	8.3.2.00409	39, 41	804-017C	51
05-049	45	330-294D	51	8.3.2.00531	39, 41	804-025C	15
05-050	45	330-301D	25	8.3.7.00140	43	804-028C	13
06-038	45	330-311D	13	8.4.7.00823	39, 41	804-029C	51
07-022	45	330-321D	29	8.5.1.00680	43	804-055C	23
07-025	45	330-599D	9	8.5.2.00030	43	804-147C	7
09-004	45	330-697H	9	8.5.2.00131	39, 41	804-157C	9
09-011	45	330-699K	25	8.5.2.00332	43	805-017C	47
1.135.7100.00	39, 41	330-708D	25	8.5.3.00955	39, 41	805-045C	15
11-20456	35	330-709D	25	8.5.3.01012	43	805-083C	15
130556	47, 49	330-710D	27	8.6.6.00201	39, 41, 43	805-088C	51
141.024.430.1	37	330-711D	27	8.6.7.00269	43	805-090C	47
141.024.757.1	33	330-720D	29	8.7.0.00744	39, 41	805-104C	51
142.240.5097421	37	330-721D	29	8.7.1.00152	39, 41	805-229C	51
146.241.056.1	33	330-724D	31	8.7.1.00748	39, 41	805-246C	23
148000	47, 49	330-725D	31	8.7.3.00331	43	807-023C	13
151.014.201	33, 37	330-726D	31	8.7.3.00398	43	807-271C	51
151.014.250.1	33	330-727D	31	800-001C	13, 19, 21	810-818C	53
151.014.756.1	33, 37	330-729K	29	800-060C	17, 57	810-865C	47, 53
151.015.424.1	33	330-735S	51	800-080C	23	810-886C	47, 49
155.140.642	33	330-778H	9	800-094C	53	810-908C	49, 53
165.000.501	33, 37	330-938K	19, 21, 23	802-005C	9	811-180C	53
165.000.622	33, 37	330-965D	17, 57	802-007C	9	811-356C	53
165.000.628	37	330-966D	17, 57	802-015C	17, 25, 27, 29, 31, 57	811-394C	53
17-042	45	330-967D	17, 57	802-017C	13	811-619C	53
17-043	45	330-984H	9	802-057C	9, 11	811-633C	53
17-044	45	330-986H	19	802-074C	13	811-857C	53
17-045	45	330-987K	15	802-079C	11	812-388C	51
17-046	45	330-988H	15	802-096C	13	8123.340.379.11	37
17-047	45	330-990H81	11	802-098C	13, 19, 21	8123.440.738.11	37
174136	49	330-992H	21	802-099C	19, 21	814-265C	59
18-120	45	330-993H81	11	802-106C	9	814-449C	59
180.014.022	33, 37	330-995H	21	802-116C	13	814-450C	59
180.014.625	33, 37	330-996L	11	802-155C	29	814-451C	59
180.015.021.1	33, 37	330-997H	11	802-212C	15	814-461C	59
180.015.377	33, 37	330-998H	13	802-223C	17, 57	8146.241.056.1	37
180.019.019	33, 37	331-001S	15	802-224C	17, 57	815-242C	23
186562	47, 49	331-068H	7	802-254C	51	815-243C	23
19-15134	35	331-087A	25	802-269C	51	815-401C	21
190.000.012	33	331-088A	27	802-277C	7	815-403C	19
190.000.020	33	331-089A	29	802-314C	9, 11	815-404C	19
190.000.098	37	331-090A	31	802-603C	11	815-435C	19
190.000.099	37	331-091K	25	802-715C	51	8151.015.424.1	37
190.000.902	37	331-092K	25	802-779C	23	816-481C	9
20-124	45	331-095K	27	802-967C	9	816-497C	23
200-001D	23	331-096K	27			816-682C	29



Part Number Index (continued)

Part Number	Page	Part Number	Page
816-764C	29	92-25452	35
816-765C	29	93-25452	35
816-766C	31	96-25452	35
816-767C	31	97-25452	35
817-259C	9	98-25452	35
818-045C	55	99-25452	35
818-130C	55	A.248.500	39, 41
818-142C	55	Dwg 18782	43
818-190C	55	Dwg 30643	35
818-229C	55	Dwg 33915	45
818-268C	55	Dwg 35118	7
818-276C	55	Dwg 35141	9
818-543C	55	Dwg 35142	11
818-556C	55	Dwg 35143	13
818-561C	55	Dwg 35144	15
818-564C	55	Dwg 35145	19
818-830C	55	Dwg 35146	21
818-840C	55	Dwg 35148	25
818-862C	55	Dwg 35149	27
8180.014.232	37	Dwg 35151	51
8180.014.233	37	Dwg 35152	53
8180.014.240	37	Dwg 35153	55
820-112C	7	Dwg 35156	39
820-137C	7	Dwg 35157	41
820-138C	7	Dwg 35494	47
822-020C	23	Dwg 35495	49
822-021C	23	Dwg 35822	29
822-033C	23	Dwg 35823	31
822-034C	23	Dwg 37503	33
822-166C	39, 41	Dwg 37504	37
822-167C	39, 41	Dwg 37671	17, 57
822-188C	43, 45	Dwg 37676	23
822-189C	43	Dwg 39060	59
822-190C	43	J-37-A	17, 57
822-191C	39, 41	J-37-R	17, 57
826-240C	11	J-AC1-15-B	17, 57
826-280C	9, 43, 45	N/A	7, 37, 47, 49
826-487C	39, 41		
826-491C	9, 11		
826-497C	9		
826-519C	9		
826-683C	9, 35		
826-764C	9, 11, 39		
826-765C	11, 41		
826-821C	9, 33		
826-822C	11, 37		
827-001C	51		
837-101C	9, 11		
838-094C	55		
838-588C	55		
838-614C	55		
838-615C	55		
840-273C	9, 11		
841-205C	53		
841-284C	53		
858-732C	55		
858-767C	55		
858-768C	55		
858-769C	55		
86810-1008	35		
890-118C	13		
890-175C	27		
890-341C	25, 27		
890-400C	25		
891-246C	13		
891-522C	17, 57		
891-523C	17, 57		
891-529C	17, 57		
891-530C	17, 57		
891-531C	17, 57		
891-532C	17, 57		



Great Plains Mfg., Inc.
1525 E. North Street
Salina, Kansas 67401 USA

www.greatplainsmfg.com
