



Installation Instructions Planter Hopper Lid Latch Kit

Used with Planter models:

- YP425A, YP425A3P
- YP625A, YP625A3P
- YP825A, YP825A3P



When you see this symbol, the subsequent instructions and warnings are serious - follow without exception. Your life and the lives of others depend on it!

General Information

Refer to Figure 1

These instructions explain how to install a Planter Hopper Lid Latch Kit. The kit adds a latch (12) to the rear of the hopper lid.

One kit updates one row unit:

Kit	Kit Description
403-620A	PLANTER HOPPER LID LATCH KIT

Tools Required

- basic hand tools
- drill and $\frac{9}{32}$ inch (7.1 mm, letter size K) drill bit
- die grinder or cutoff wheel
- safety glasses and gloves
- personal protective equipment (chemical dust)

Compatibility Check

Open one lid and inspect the hopper. This kit requires that the hopper be equipped with a stiffener (23). This part is standard on new planters, and is available as an Update for older models^a. If your planter lacks stiffeners, have your dealer consult Service Information Bulletin SIB-10-XX19-P.

WARNING

Possible Chemical Hazard:

Wear a dust mask and other personal protective equipment suitable for working with seed treatments and seed lubricants used with the hoppers. Wash the lids if a suitable location is available. The lids are likely to be coated with chemical or lubricant dust, which will become airborne during hole drilling. This dust could cause medical problems ranging from throat and lung irritation to severe illness or death.

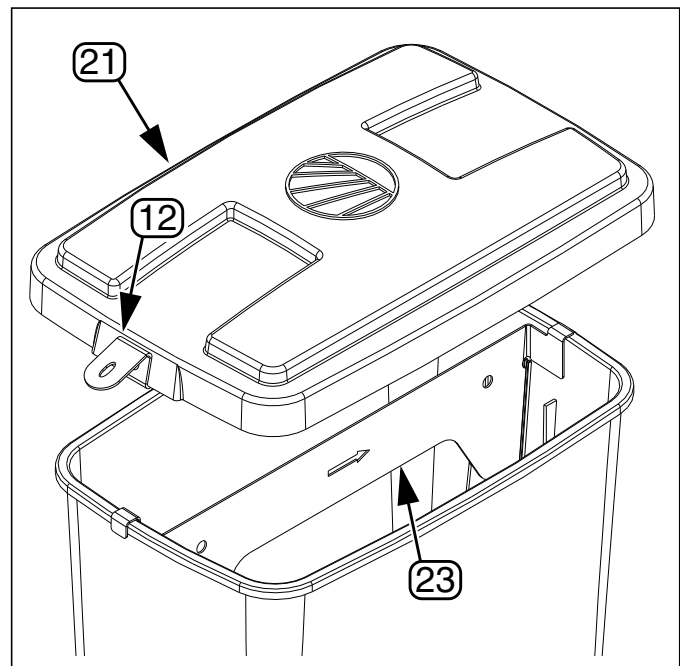


Figure 1
Latch on Compatible Hopper

34139

Notations and Conventions

Call-Outs

- ① to ⑨ Single-digit callouts identify components in the currently referenced Figure. These numbers may be reused for different items from page to page.
- ⑪ to ⑭ Two-digit callouts in the range 11 to 14 reference new parts from the list on page 3.
- ⑳ to ㉓ Two-digit callouts in the range 21 to 25 reference existing parts.

^a. Implements not listed under “Used with Planter models:” may not be compatible with this kit.

Remove Old Latch Tab

Refer to Figure 2

1. Remove a lid (21). Locate the latch end, which has a single molded center tab (1). The hinge end has two molded tabs.

NOTICE

Equipment Damage Risk:

Do not remove the hinge tabs, or the lid will become useless.

2. Using a cut-off wheel or die grinder, remove the molded latch tab (1), leaving a flush smooth surface on the inside of the lid rim.

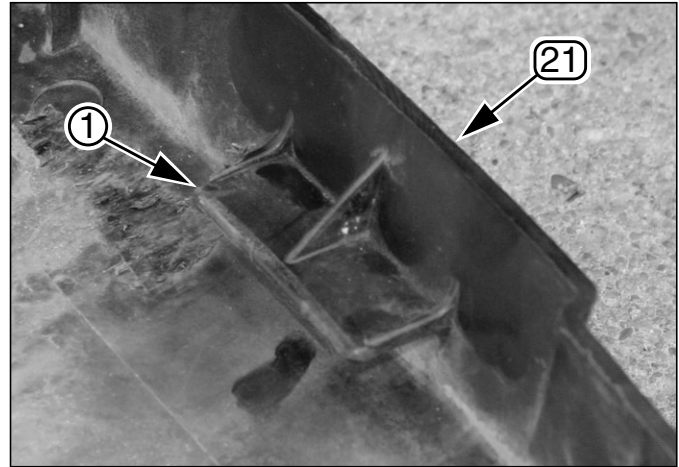


Figure 2
Remove Latch Tab

34142

Drill Mounting Hole

Refer to Figure 3

3. At the lid end where the latch tab was removed, mark a hole location on lid center-line, and 16.8 mm from the bottom edge of the lid rim.
4. Drill a 7.1 mm ($\frac{9}{32}$ inch, letter size K) hole at this location.

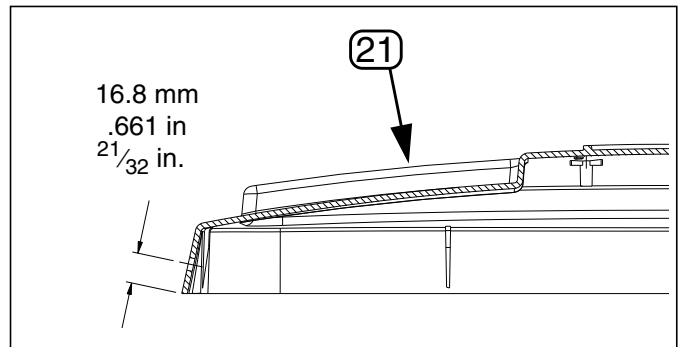


Figure 3
Latch Hole Location

34143

Install New Latch

Refer to Figure 4

5. Select one set new:
 - ⑫ 403-791D LID LATCH
 - ⑬ 802-633C RHSNB 1/4-20X5/8 PLT
 - ⑭ 803-088C NUT HEX LOCK 1/4-20 FLG

Align the square hole in the latch ⑫ with the new hole ② in the lid. Insert the square neck bolt ⑬ from the outside of the lid. Secure with flanged lock nut ⑭, tightened to 5.6 foot-pounds (7.4 N-m).

6. Re-install the lid on the hopper.

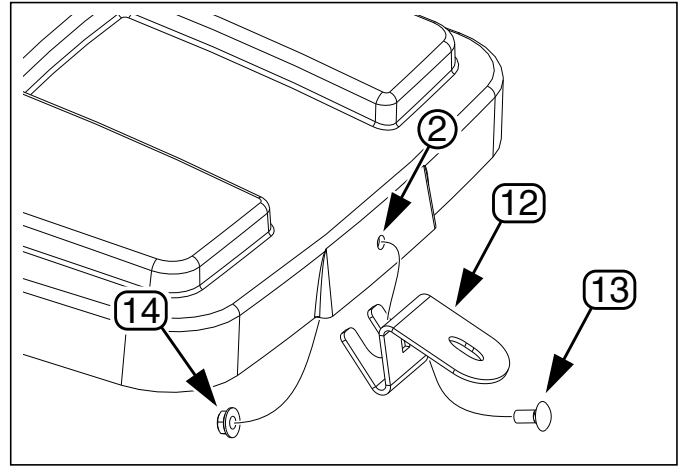


Figure 4
Install New Latch

34141

Appendix

Part Lists

New Parts

The part call-out numbers in this list match all Figures in these installation instructions. Part descriptions match those in your updated Parts Manual.

Quantities are units ("ea").

Kit Contents

403-620A PLANTER HOPPER LID LATCH KIT

Callout	Quantity	Part Number	Part Description
11	1	403-621M	MANUAL LID LATCH KIT
12	1	403-791D	LID LATCH
13	1	802-633C	RHSNB 1/4-20X5/8 PLT
14	1	803-088C	NUT HEX LOCK 1/4-20 FLG

Great Plains Manufacturing, Inc.

Corporate Office P.O. Box 5060
Salina, Kansas 67402-5060 USA