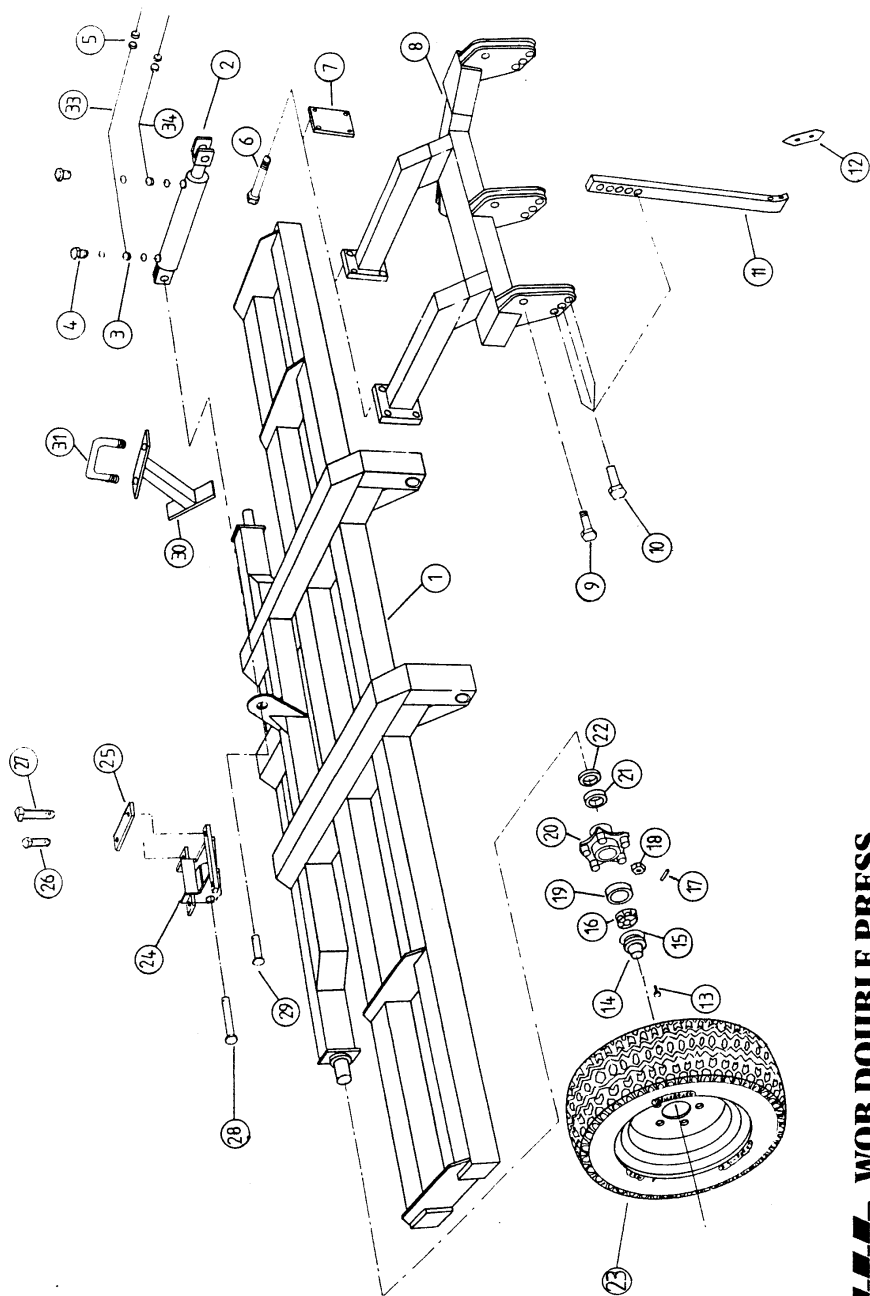


**WOB  
DOUBLE PRESS**

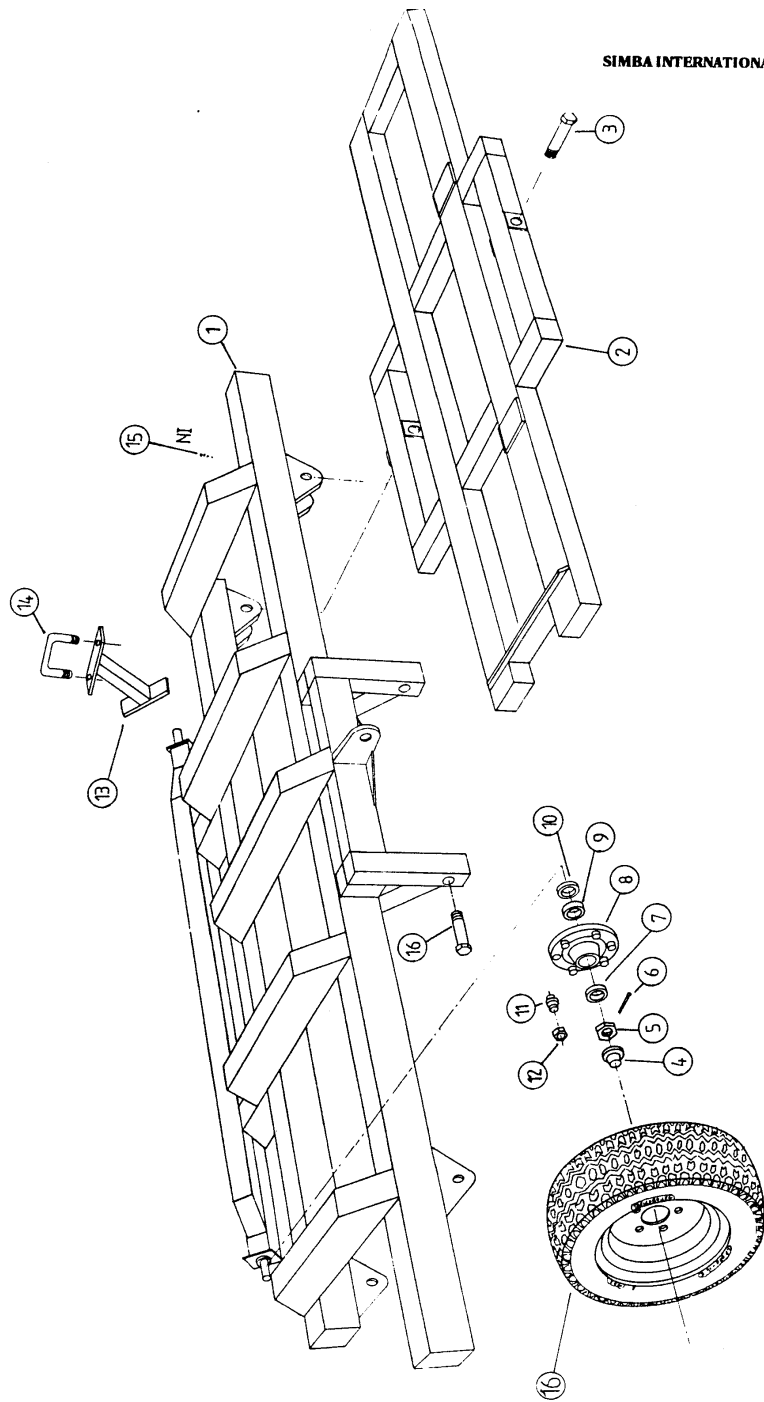


**WOB DOUBLE PRESS  
3.3M-4.6M MAINFRAME**



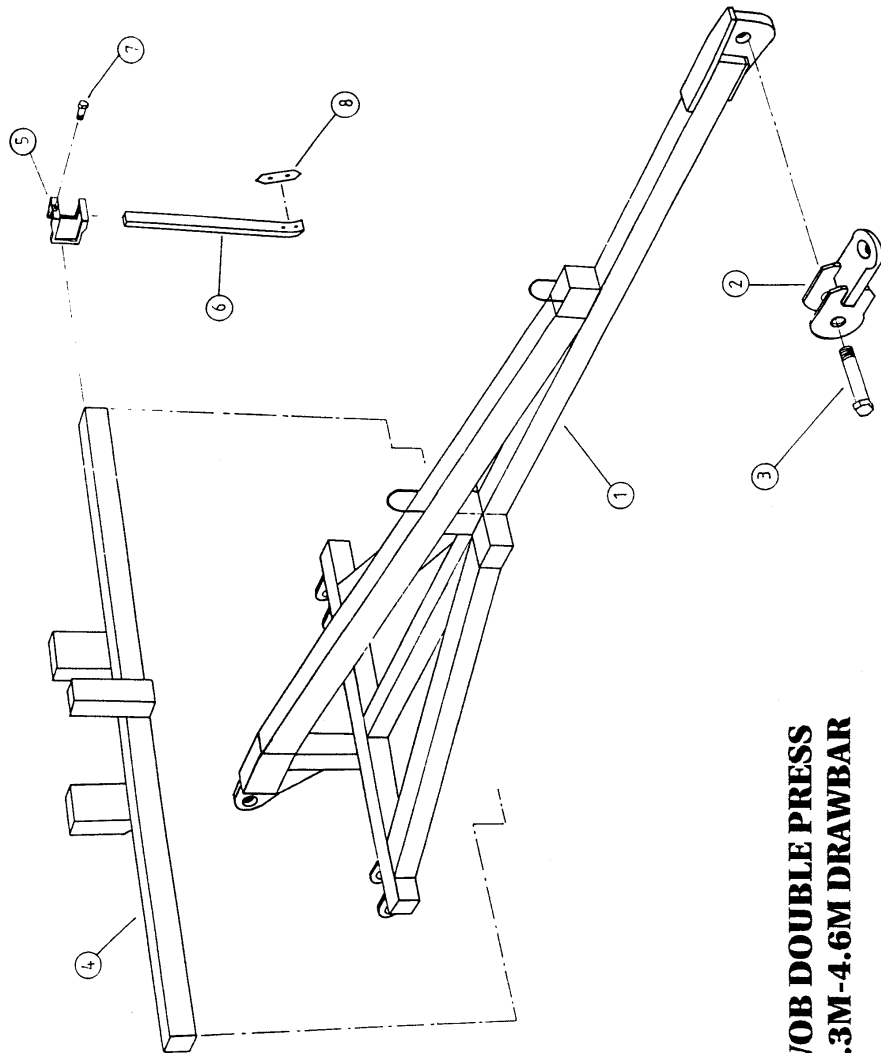
**WHEELS OVER THE BACK MAINFRAME 3.3M - 4.6M**

<u>ITEM NO.</u>	<u>PT. NO.</u>	<u>DESCRIPTION</u>
1	-----	MAINFRAME
2	0164	100x400 DRAWBAR CYLINDER
3	0200	BANJO BLOCK
	2263	BONDED WASHER
4	0201	BANJO BOLT
5	0203	MALE-MALE ADAPTOR
	0205	MALE QR
6	2655	CLAMP BOLT 20x240
7	4685	CLAMP
8	-----	LEADING TINE FRAME
9	1901	LEG RETAINING BOLT
10	5103	SHEAR BOLT M16x90
11	4472	LEG
12	3017	POINT
	3448	RETAINING BOLTS 7/16" x 75
13	0446	HUB CAP BOLT
14	0445	HUB CAP
15	0444	HUB CAP GASKET
16	0443	CASTLE NUT
17	2488	SPLIT PIN
18	0448	WHEEL NUT R/H
19	0440	OUTER BEARING
20	0438	HUB CASTING
21	0440	INNER BEARING
22	0439	GREASE SEAL
	0436	5 STUD HUB COMPLETE LH
23	0140	5 STUD RIM
	1072	10.00/75/15 TYRE
24	4384	REAR DRAWBAR
25	4386	REAR DRAWBAR CLAMP PLATES
26	1638	CLAMP BOLTS M20x160
	2009	NUT M20
	2603	FLAT WASHER M20
27	0012	CLAMP BOLTS M20x100
	2009	NUT M20
	2603	FLAT WASHER M20
28	-----	SHACKLE PIN (30MM)
29	1274	RAM PIN
30	3646	SCRAPER
31	1619	U BOLT M20 (2009 NUT M20)
	2603	FLAT WASHER M20
32	4899	MUD SCRAPER BLADE
	3087	M12x50 BOLT (2007 NUT M12)
	2601	M12 FLAT WASHER
33	0192	18 FT HYDRAULIC HOSE
34	0191	17 FT HYDRAULIC HOSE



**WHEELS OVER THE BACK 5.5M-6.6M FLOATING FRAME**

<u>ITEM NO</u>	<u>PT.NO.</u>	<u>DESCRIPTION</u>
1	----	MAINFRAME
2	----	FLOATING FRAME
3	0045	M36x200 PIVOT BOLT
	2012	NUT M36
	2609	FLAT WASHER M36
4	0370	HUB CAP
5	0369	CASTLE NUT
6	2488	SPLIT PIN
7	0367	OUTER BEARING
8	0462	HUB CASTING 6 STUB
9	0366	INNER BEARING
10	0365	GREASE SEAL
11	0709	WHEEL STUD R/H
12	0471	WHEEL NUT R/H
	0641	6 STUD COMPLETE R/H (4-12)
13	3646	SCRAPER
14	1619	SCRAPER U BOLT M20
	2009	NUT M20
	2603	FLAT WASHER M20
	4899	SCRAPER BLADE (NI)
	3087	M12x50 BOLT
	2007	M12 NUT
	2601	M12 FLAT WASHER
15	0941	M30x90 PITCH CONTROL BOLTS NI
16	0146	6 HOLE RIM
	0143	12.5/80-15 TYRE

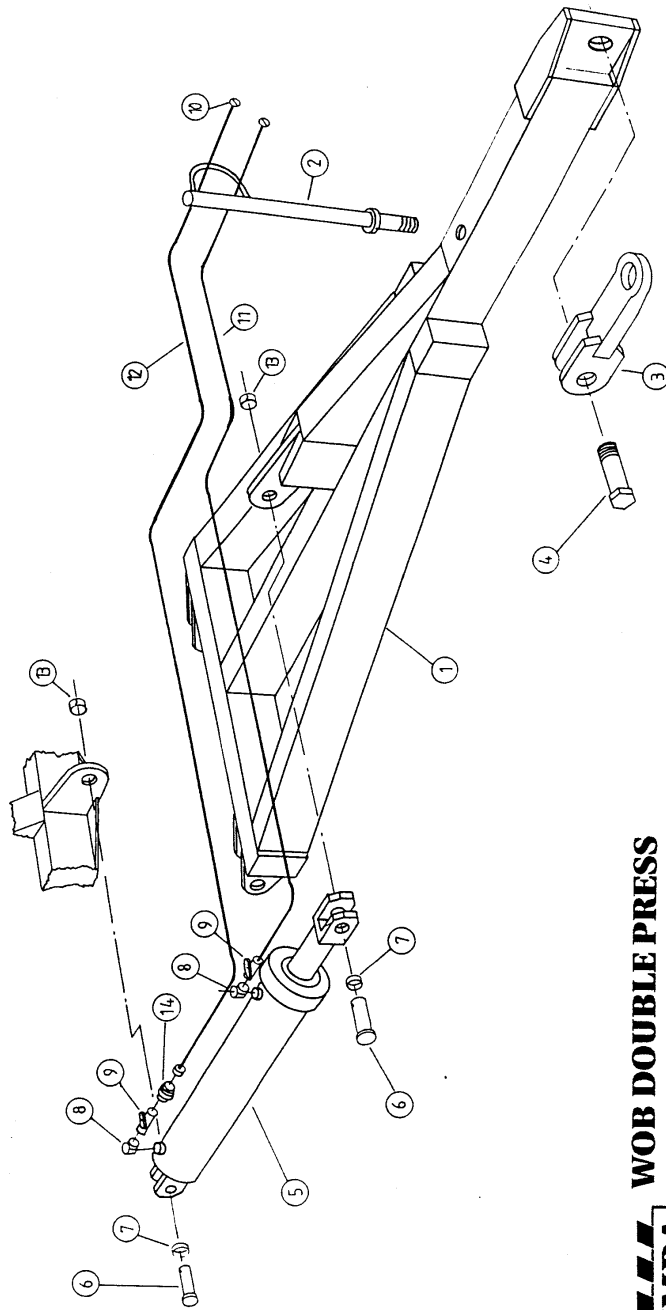


**WOB DOUBLE PRESS  
3.3M-4.6M DRAWBAR**



### **3.3M- 4.6M DRAWBAR**

<b><u>ITEM NO</u></b>	<b><u>PT.NO.</u></b>	<b><u>DESCRIPTION</u></b>
1	4311	DRAWBAR
2	3618	SHACKLE
3	0983	SHACKLE BOLT M30x150
4	4239	ERADICATOR TINE BEAM
5	4240	TINE CLAMP
6	2723	1" SQ ERADICATOR TINE
7	3066	TINE CLAMP BOLT M20x40
8	1927	POINT
	2726	POINT BOLT AND NUT
9	0036	DRAWBAR PIVOT BOLT



**WOB DOUBLE PRESS  
5.5M-6.6M DRAWBAR**



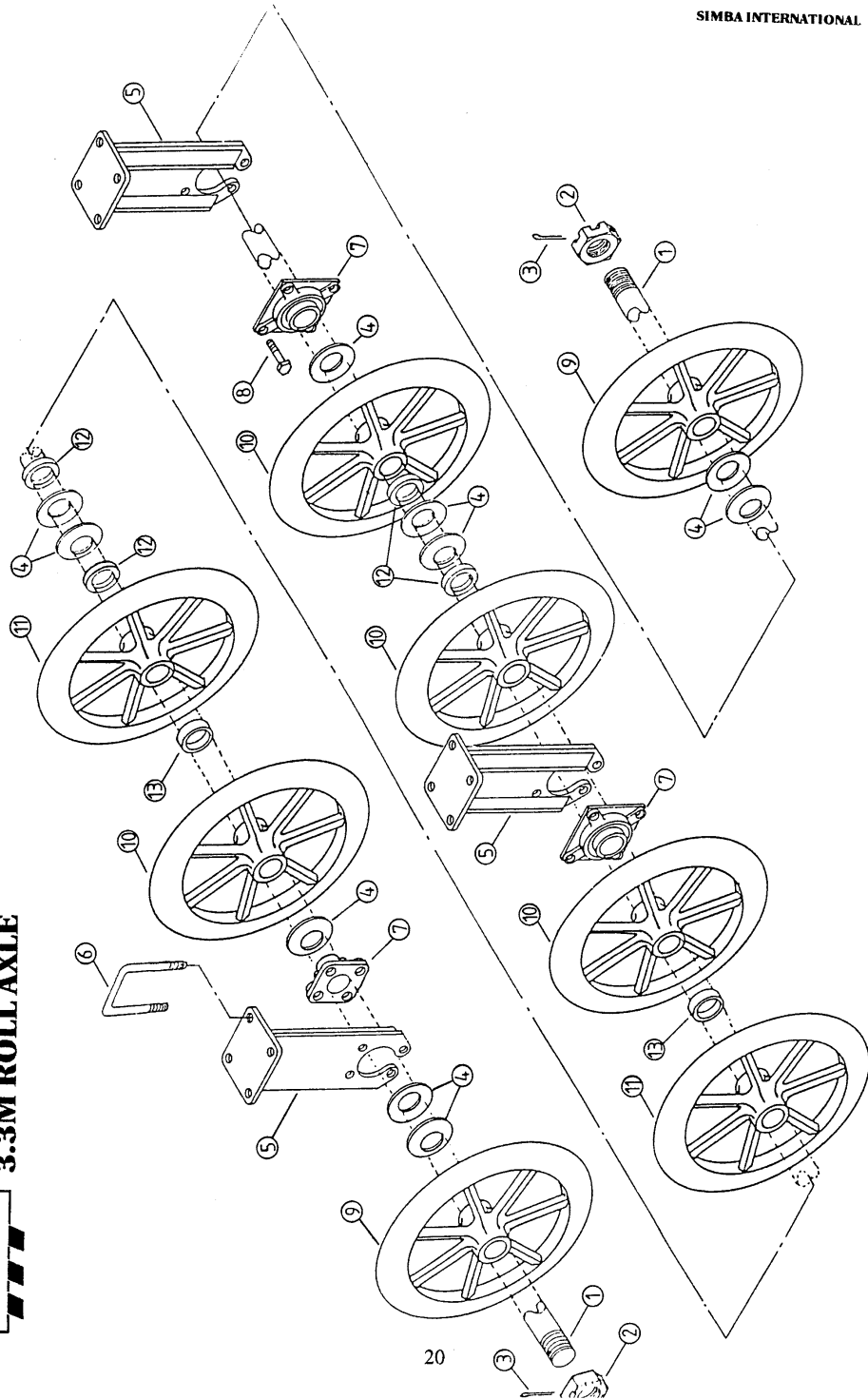
**5.5M - 6.6M DRAWBAR**

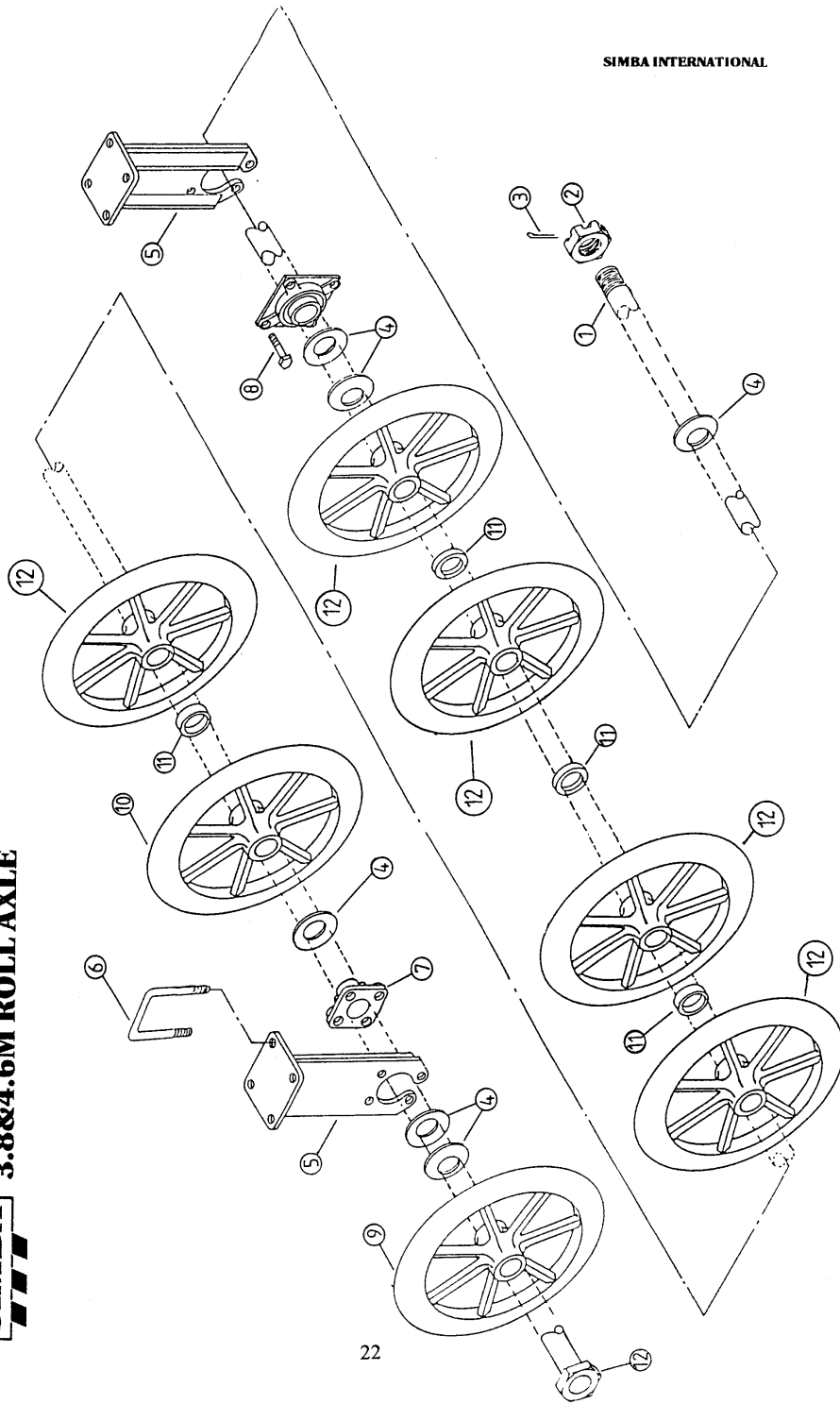
<u>ITEM NO.</u>	<u>PT.NO</u>	<u>DESCRIPTION</u>
1	4277	DRAWBAR
2	0985	HOSE MAST
3	2331	SHACKLE
4	0983	SHACKLE BOLT
5	1055	DRAWBAR CYLINDER
6	0389	PIN
7	4127	SPRUNG BUSH
8	0200	BANJO BLOCK
	0201	BANJO BOLT
	2263	BONDED WASHER
9	0774	SHUT OFF TAP
10	0203	MALE-MALE ADAPTOR
	0205	MALE QR
11	0185	11FT HOSE
12	0187	13FT HOSE
13	1646	SPRUNG BUSH

**ROLL AXLE 3.3M**

<b><u>ITEM NO</u></b>	<b><u>PT.NO</u></b>	<b><u>DESCRIPTION</u></b>
1	----	AXLE (SEE PAGE 27)
2	1698	CASTLE NUT
3	2754	SPLIT PIN
4	1514	BELLEVILLE WASHER
5	6592	BEARING PILLAR
6	1619	U BOLT
	2009	NUT
	2603	FLAT WASHER
7	5431	BEARING
8	1102	BEARING BOLT
	2008	NUT
	2602	FLAT WASHER
9	1519	110MM BOSS ROLL RING
10	1520	130MM BOSS ROLL RING
11	1515	150MM BOSS ROLL RING
12	4349	10MM SPACER
13	2806B	30MM SPACER

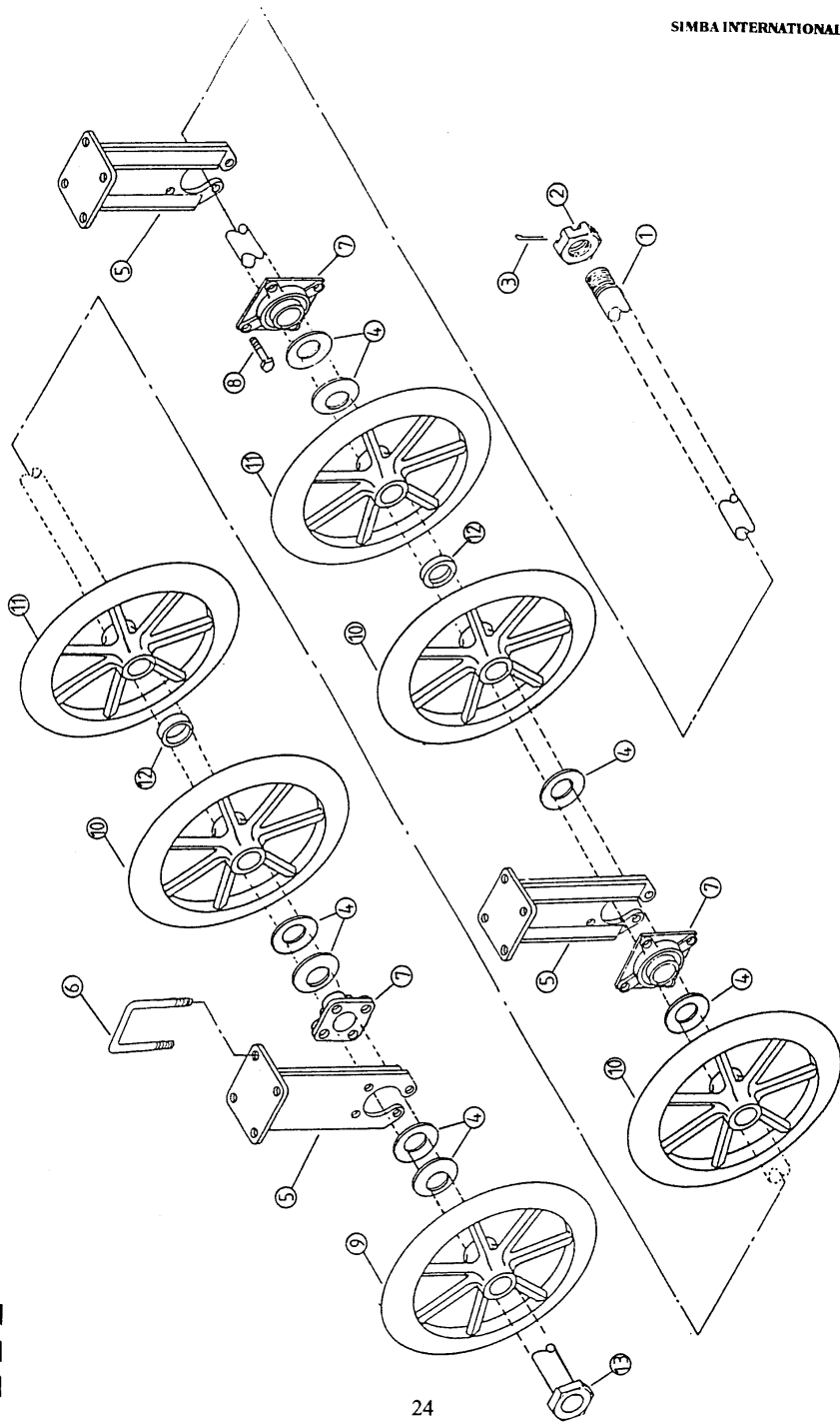
**SIMBA**  
**WOB DOUBLE PRESS**  
**3.3M ROLL AXLE**





**ROLL AXLE 3.8M & 4.6M**

<b><u>ITEM NO</u></b>	<b><u>PT.NO</u></b>	<b><u>DESCRIPTION</u></b>
1	----	AXLE (SEE PAGE 27)
2	1698	CASTLE NUT
3	2754	SPLIT PIN
4	1514	BELLEVILLE WASHER
5	6592	BEARING PILLAR
6	1619	U BOLT
	2009	NUT
	2603	FLAT WASHER
7	5431	BEARING
8	1102	BEARING BOLT
	2008	NUT
	2602	FLAT WASHER
9	1519	110MM BOSS PRESS ROLL RING
10	1520	130MM BOSS PRESS ROLL RING
11	2806B	SPACER (30MM)
12	1515	150MM BOSS PRESS ROLL RING

**ROLL AXLE 5.5M & 6.6M FLOATING FRAME**

<u>ITEM NO</u>	<u>PT. NO</u>	<u>DESCRIPTION</u>
1	----	AXLE (SEE PAGE 27)
2	1698	CASTLE NUT
3	2754	SPLIT PIN
4	1514	BELLEVILLE WASHER
5	6592	BEARING PILLAR
6	1619	U BOLT
	2009	NUT
	2603	FLAT WASHER
7	5431	BEARING
8	1102	BEARING BOLT
	2008	NUT
	2602	FLAT WASHER
9	1519	110MM BOSS PRESS ROLLRING
10	1520	130MM BOSS PRESS ROLL RING
11	1515	150MM BOSS PRESS ROLL RING
12	2806B	30MM SPACER



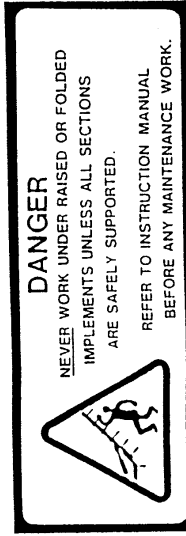
①

# SIMBA

## DOUBLE PRESS



②



③

26

**PRESS ROLL/  
CAMBRIDGE ROLL**

### MAINTENANCE

**DAILY SERVICES**

- 1) DO NOT GREASE ROLL AXLE BEARINGS.
- 2) GREASE ALL PIVOT POINTS UNTIL GREASE IS VISIBLE.
- 3) CHECK ROLL RINGS FOR DAMAGE.
- 4) CHECK HYDRAULIC CONNECTIONS FOR LEAKS.

5) CHECK WING GANG PIVOT BOLTS ARE TIGHT. USE OPERATORS MANUAL.

**END OF SEASON SERVICE**

SEE OPERATORS MANUAL FOR INSTRUCTIONS.

**OPERATION**

- 1) FULLY CLOSE DRAWBAR FLAT PIN IS
- 2) FULLY CLOSE DRAWBAR CYLINDER
- 3) CLOSE BOTH CYLINDER TAPS
- 4) EXTEND WING CYLINDER UNTIL FRAME IS PARALLEL TO MAIN FRAME
- 5) CLOSE WING CYLINDER TAP

④

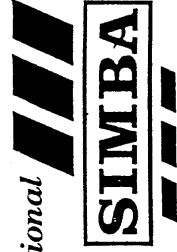
# SIMBA

⑤

Stichta International Ltd.  
Woodstock Park, Woodstock,  
Oxfordshire, Ox12 7JN, UK  
Tel: 029 86556. Fax: 029 87458

**Simba International Ltd.**  
Manufacturers of Cultivation,  
Land Development and Earth  
Moving Equipment  
Made Great in Britain

⑦



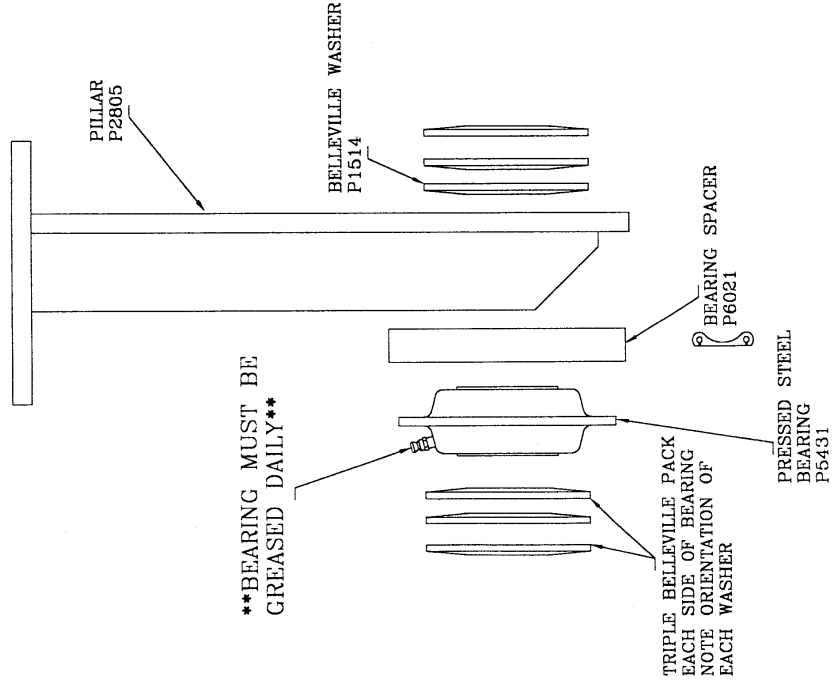
⑥

### STICKERS

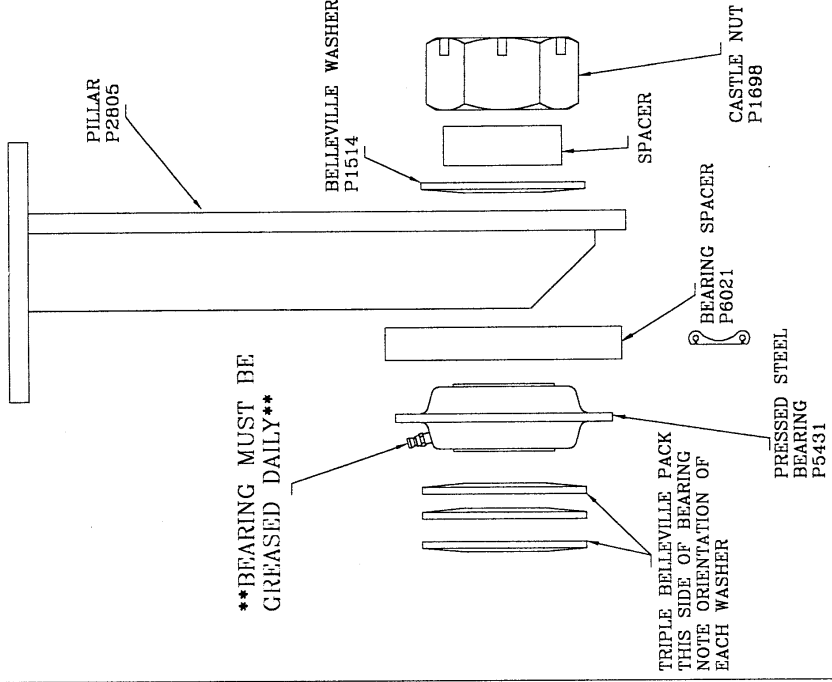
ITEM NO	PT NO	DESCRIPTION
1	4196	DOUBLE PRESS
2	2912	SIMBA "S"- (SMALL)
3	2918	DANGER RAISED SECTIONS*
4	4147	MAINTENANCE*
5	2906	SIMBA-(SMALL)
	2907	SIMBA-(MEDIUM)
	2908	SIMBA-(LARGE)
6	2911	UNION JACK (BRITISH MANUFACTURED)
7	2909	SIMBA ADDRESS
8	4435	OPERATORS MANUAL AND SPARE PARTS BOOK

\*NOTE - REPLACE IF WORN TO ENSURE SAFE USE AND CORRECT MAINTENANCE .

PRESS ROLL PRESSED STEEL BEARING LAYOUT



TRIPLE BELLEVILLE PACK -- CENTRE PILLAR LAYOUT



TRIPLE BELLEVILLE PACK -- END PILLAR LAYOUT