

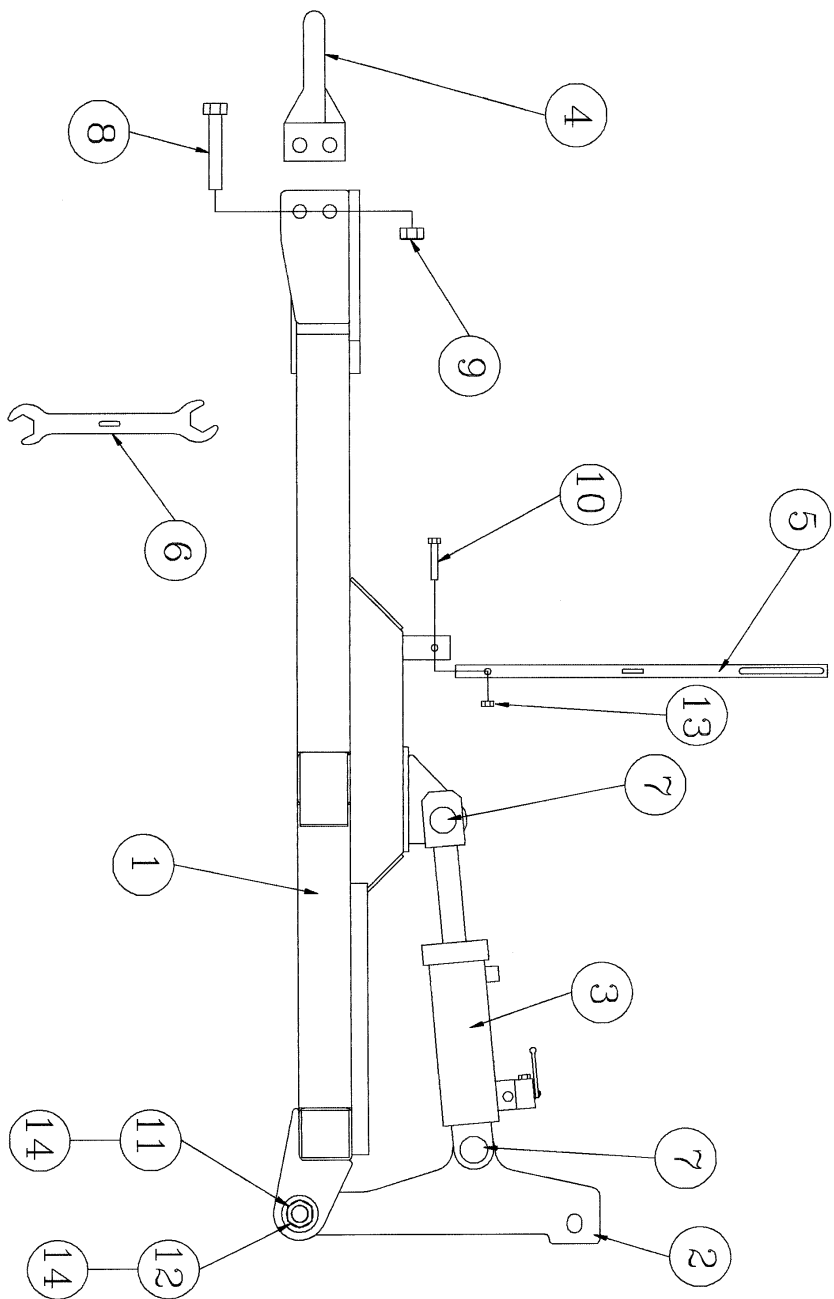
3+4m Rigid Freeflow
Parts List
2002 Spec.



Rigid Freeflow Drawbar

SP1174

Ref. No.	Part No.	Description	Qty.
1	P10337	DRAWBAR	1
2	P10345	RAMPOST	1
3	P08137	3.75" x 210 CYLINDER	1
4	P08997	PERFECT HITCH CAT3	1
5	P08658	HOSE MAST	1
6	P05640	SPANNER	1
7	P01274	PIN Ø25x115	2
8	P08458	UNF BOLT 1"x7"	2
9	P05492	UNF LOCK Nut 1"	2
10	P03090	BOLT M12x70	1
11	P00036	BOLT M30x180	2
12	P00983	BOLT M30x150 (RAMPOST BOLT)	1
13	P02007	M12 LOCK NUT	1
14	P02011	M30 LOCK NUT	3



RIGID FREEFLOW - DRAWBAR

DRAWN
26/07/00

PART NUMBER

FROM SERIAL NO. TO SERIAL NO.

ISSUE

DRAWING NO.
SP1174

FREEFLOW - LEADING TINE ASSEMBLY

DRAWN
28/02/02
UPDATED

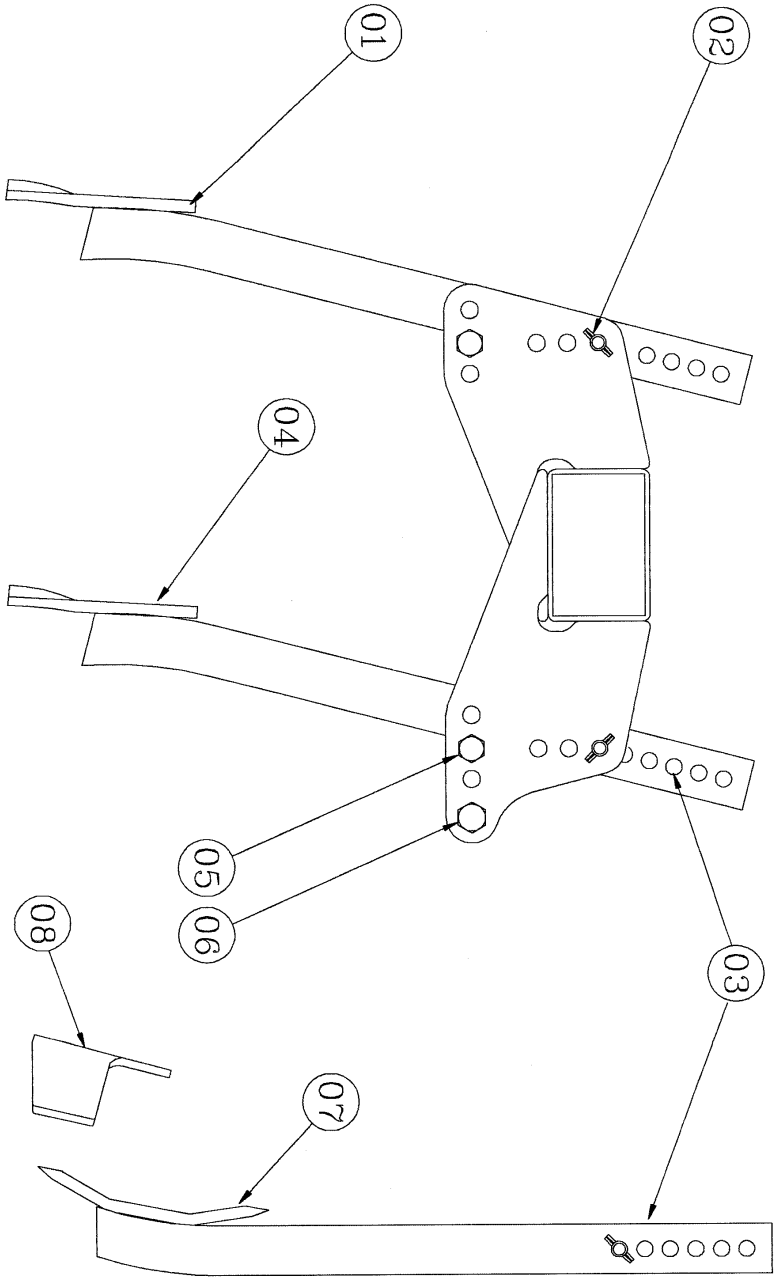
PART NUMBER


FROM SERIAL NO.

TO SERIAL NO.

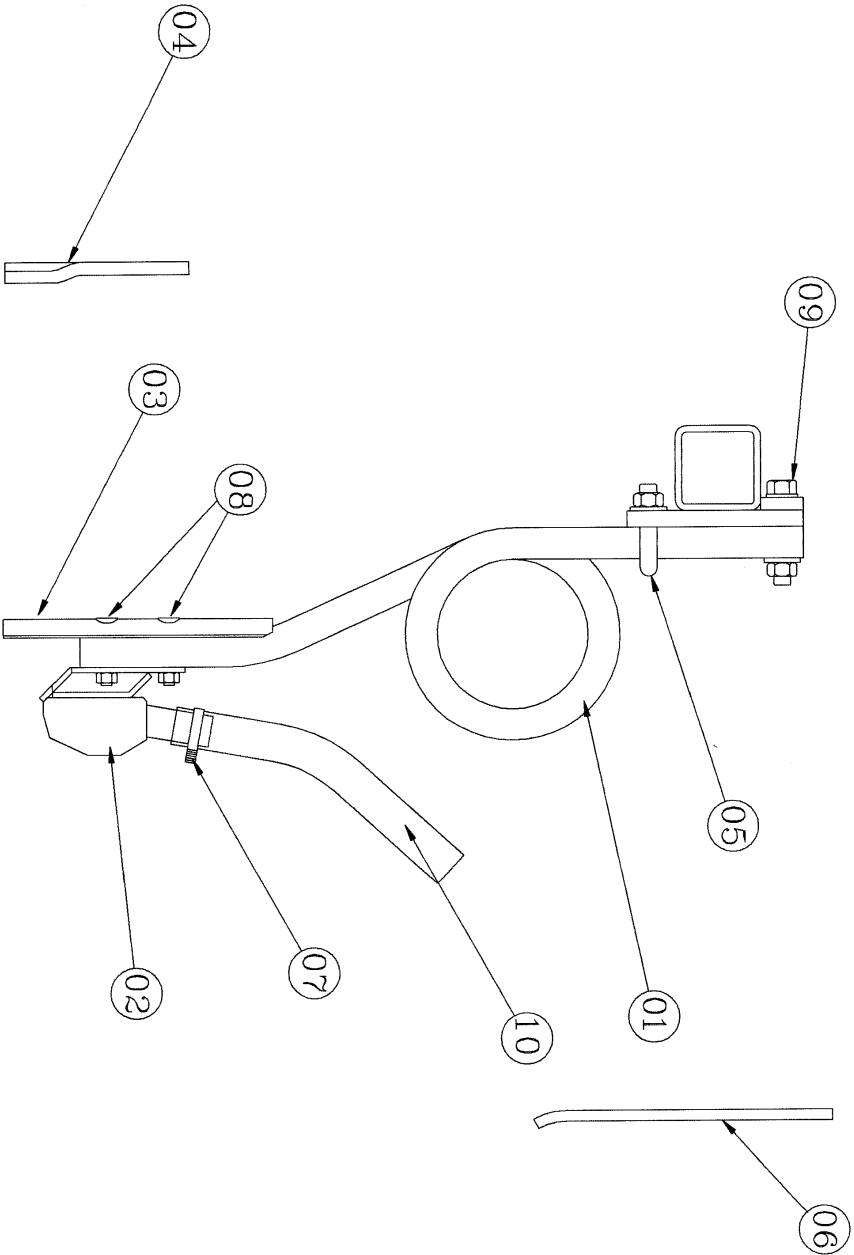
ISSUE

DRAWING NO.
SP0015



SP0015		Leading Tine Assembly	
Ref. No.	Part No.	Description	
1	P05860	STANDARD POINT	
2	P05207	Ø16 PIN	
	P02485	R CLIP	
3	P05533	2"x1" TINE	
4	P03448	7/16"x75 CSK BOLT	
	P07131	7/16" LOCK NUT	
5	P05103	M16 NOTCHED SHEAR BOLT	
	P02038	M16 SPRING WASHER	
	P01358	M16 PLAIN NUT	
6	P10499	M20x90 BOLT WITH 55mm SHANK	
	P02603	M20 WASHER	
	P02009	M20 LOCK NUT	
7	P03017	1 ½" REVERSIBLE POINT	
8	P07965	LEVELLING POINT	

COULTER TINE ASSEMBLY




DRAWN
28/2/97
UPDATED

PART NUMBER

FROM SERIAL NO. TO SERIAL NO.

ISSUE

DRAWING NO.
SP0008

SP0008		Coulter Tine Assembly	
Ref. No.	Part No.	Description	
1	P09514	COULTER TINE R/H	
	P09515	COULTER TINE L/H	
2	P08835	COULTER	
3	P09575	STANDARD REVERSIBLE POINT	
4	P05860	BROAD POINT	
5	P03744	M16 REF 19 U BOLT	
	P02602B	M16 FLAT WASHER	
	P02008	M16 LOCK NUT	
6	P08014	HELPER SPRING	
7	P05798	HERBIE CLIP SIZE Q	
8	P03095	7/16" UNCx60 BOLT	
	P07131	7/16" LOCK NUT	
9	P05263	M16 ECCENTRIC BOLT	
	P02602B	M16 FLAT WASHER	
	P02008	M16 LOCK NUT	
10	P09674	SEED HOSE (PER METRE)	

RIGID FREEFLOW PRE-EMERGENCE MARKERS

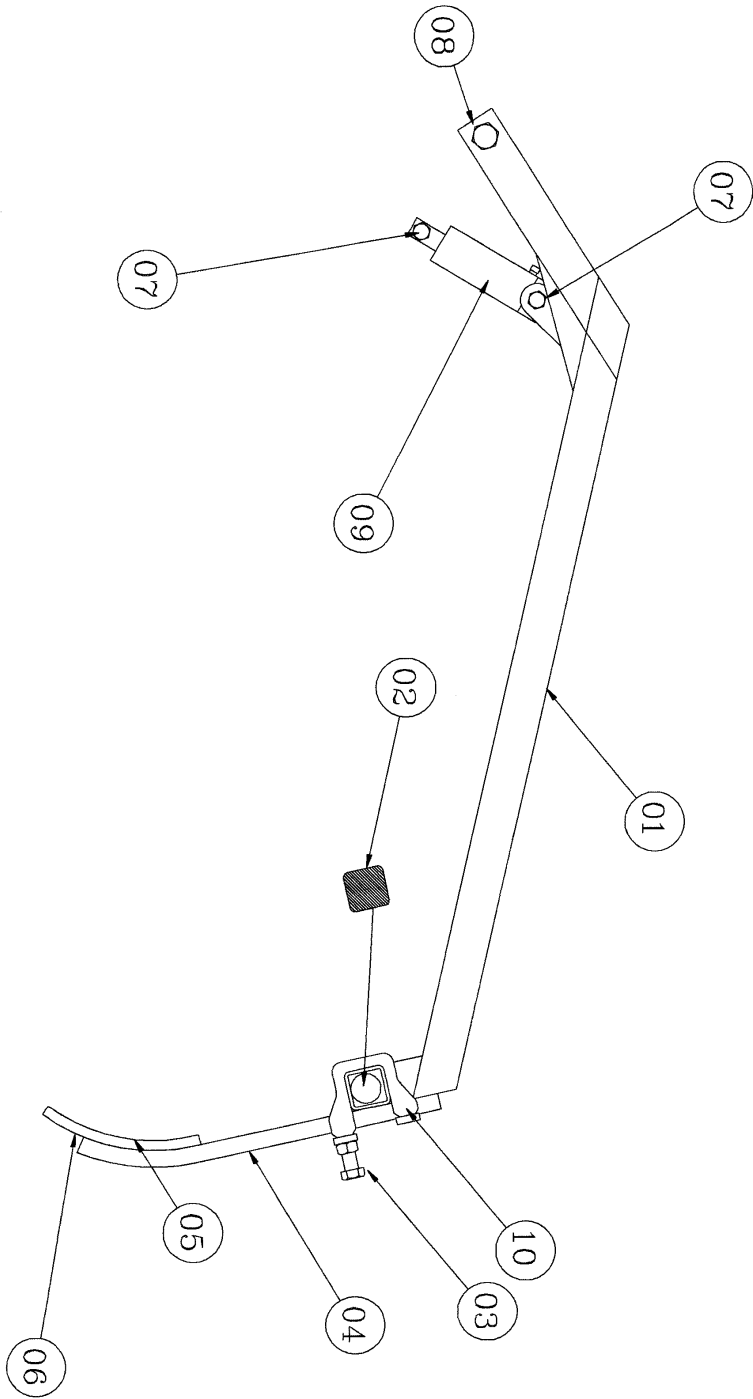
UPDATED
30/10/97


FROM SERIAL NO.

TO SERIAL NO.

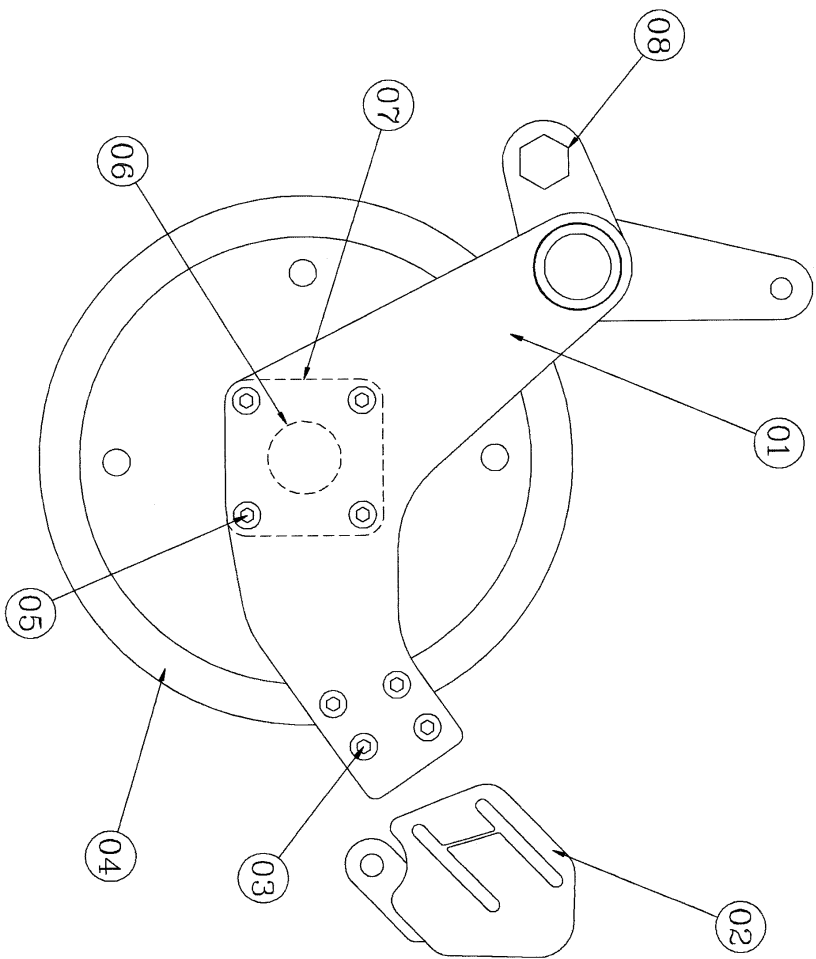
ISSUE

DRAWING NO.
SP0158



SP0158		3+4m Rigid Pre-emergence Markers	
Ref. No.	Part No.	Description	
1	P06832	MARKER ARM	
2	P07545	PLASTIC END CAP	
3	P03115	M20x60 BOLT	
	P01172	M20 PLAIN NUT	
4	P02723	1"x1" SQUARE TINE	
5	P00338	7/16"UNCx55 BOLT	
	P07131	7/16" LOCK NUT	
6	P04335	TWISTED POINT L/H	
	P04336	TWISTED POINT R/H	
7	P02318	M16x120 BOLT	
	P02602	M16 WASHER	
	P02008	M16 LOCK NUT	
8	P04536	M24x130 BOLT	
	P02604	M24 WASHER	
	P02010	M24 LOCK NUT	
9	P05260	HYDRAULIC CYLINDER	
10	P03018	CLAMP	

FREEFLOW 2000 - FRONT RUBBER ROLL



DRAWN
08/05/00

PART NUMBER

FROM SERIAL NO. TO SERIAL NO.

ISSUE

DRAWING NO.
SP0721

SP0721

3+4m Rigid Front Rubber Roll



Ref. No.	Part No.	Description
1	P11350	SIDE PLATE R/H
	P11351	SIDE PLATE L/H
2	-	SCRAPER RAIL - SEE <i>WIRE ROPE ASSEMBLY</i> FOR PART Nos
3	P05030	M12x55 CSK BOLT
	P02004	M12 FLAT WASHER
	P02007	M12 LOCK NUT
4	P07069	3m 18" RUBBER ROLL (TYRE - P07232)
	P07070	4m 18" RUBBER ROLL (TYRE - P07232)
5	-	SEE ITEM #3
6	P05026	NYLON SPACER
7	P04204	SCJ 50 BEARING
	P04202	CASTING
8	P00036	M30x180 BOLT
	P02608B	M30 FLAT WASHER
	P02011	M30 LOCK NUT

FREEFLOW 2000 - FRONT 20" OTICO ROLL

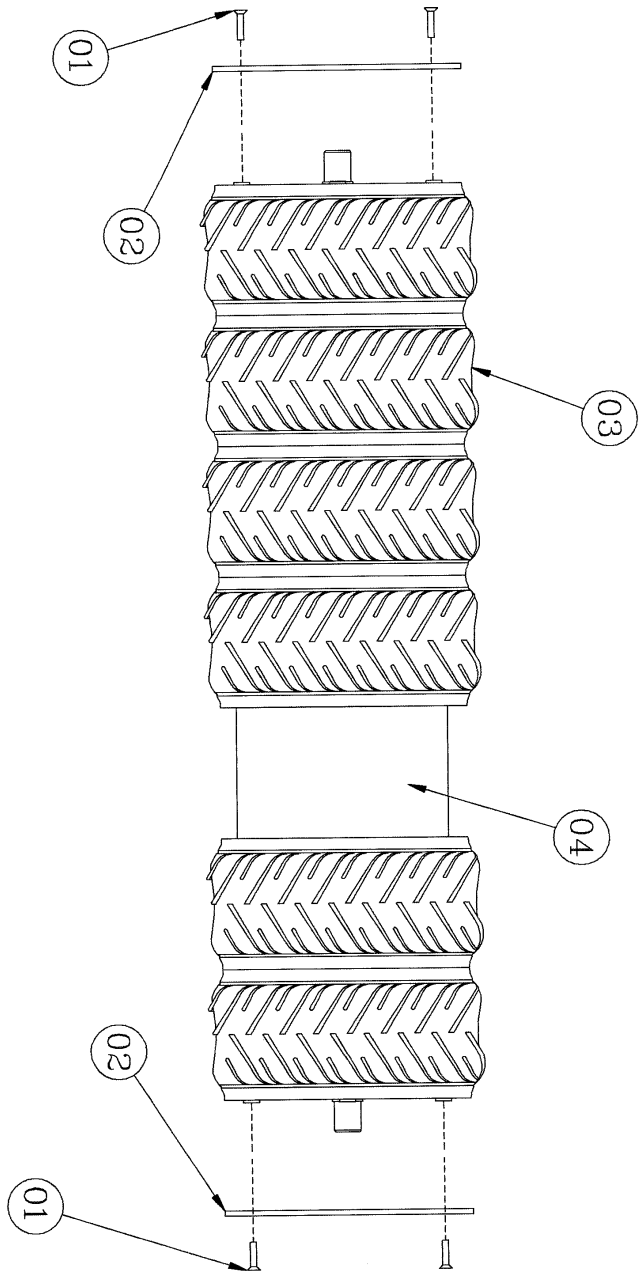
DRAWN
08/05/00
UPDATED

PART NUMBER

FROM SERIAL NO. TO SERIAL NO.

ISSUE

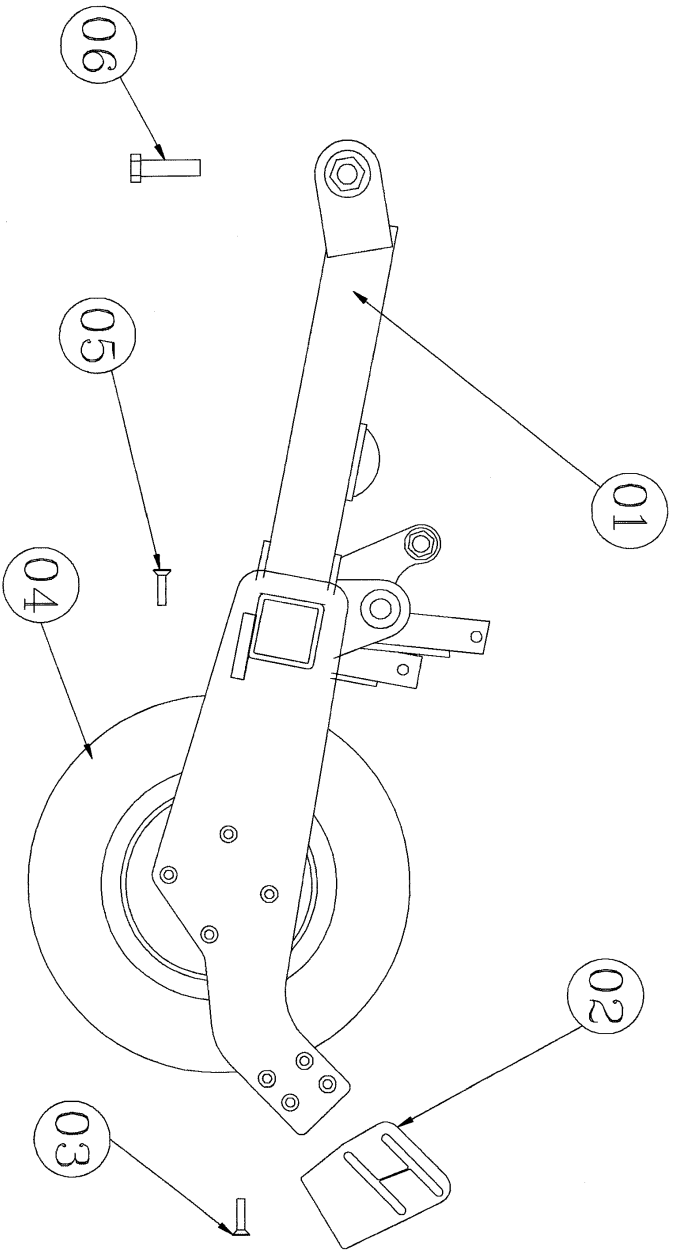
DRAWING NO.
SP0726




SP0726		3+4m Rigid Front 20" Otico Roll	
Ref. No.	Part No.	Description	
1	P05030	M12x55 SOCKET SCREW	
2	P09619	TYRE RETAINING RING	
3	P07860	OTICO TYRE - STEEL BANDED	
4	-	ROLL	

	TYRE QTY.	ROLL PART No.
3m RIGID FREEFLOW	12	P09701
4m RIGID FREEFLOW	16	P09707

3+4M RIGID FREEFLOW REAR ROLL ASSEMBLY



DRAWN 19/12/00
 PART NUMBER
 FROM SERIAL NO. TO SERIAL NO.
 ISSUE
 DRAWING NO. SP1183

SP1183		3+4m Rigid Rear Roll	
Ref. No.	Part No.	Description	
1	P10370	3m ROLL AXLE	
	P10371	4m ROLL AXLE	
2	-	SCRAPER RAIL - SEE <i>WIRE ROPE ASSEMBLY</i> FOR PART NUMBERS	
3	P05030	M12x55 CSK BOLT	
	P02004	M12 FLAT WASHER	
	P02007	M12 LOCK NUT	
4	-	ROLL	
5	P05030	M12x55 CSK BOLT	
	P02004	M12 FLAT WASHER	
	P02007	M12 LOCK NUT	
6	P04025	M24x90 BOLT	
	P02604	M24 FLAT WASHER	
	P02010	M24 LOCK NUT	
N/I	P04204	SCJ 50 BEARING	
	P04202	CASTING	

FREEFLOW WIRE ROPE SCRAPERS

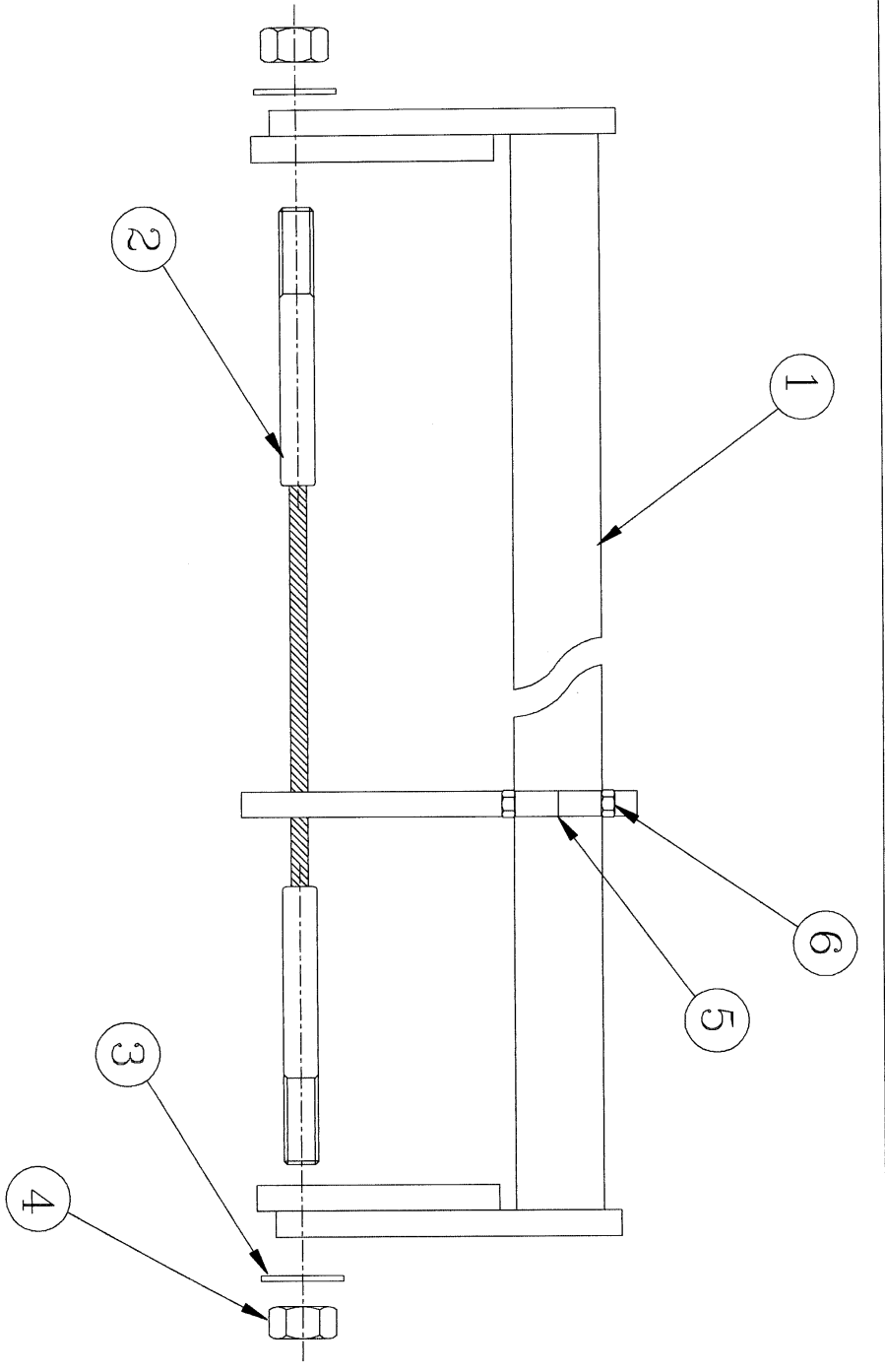
DRAWN
20/03/02
UPDATED


PART NUMBER

FROM SERIAL NO. TO SERIAL NO.

ISSUE

DRAWING NO.
SP1157



SP1157		3+4m Rigid Wire Rope Scrapers			
Ref. No.	Part No.	Description	3M Qty.	4M Qty.	
1	P10637	3m FRONT SCRAPER RAIL	1	-	
	P10701	3m REAR SCRAPER RAIL	1	-	
	P10640	4m FRONT SCRAPER RAIL	-	1	
	P10702	4m REAR SCRAPER RAIL	-	1	
2	P10457	3m WIRE ROPE - FRONT & REAR	2	-	
	P10458	4m WIRE ROPE - FRONT & REAR	-	2	
3	P02603B	M20 FLAT WASHER	4	4	
4	P02009	M20 LOCK NUT	4	4	
5	P10711	FRONT WIRE ROPE SUPPORT	2	2	
	P10712	REAR WIRE ROPE SUPPORT	2	2	
6	P04754	M8x60 BOLT	8	8	
	P04753	M8 LOCK NUT	8	8	

FREEFLOW SPRUNG LEAF COVERER ASSEMBLY

DRAWN
1/4/08
UPDATED

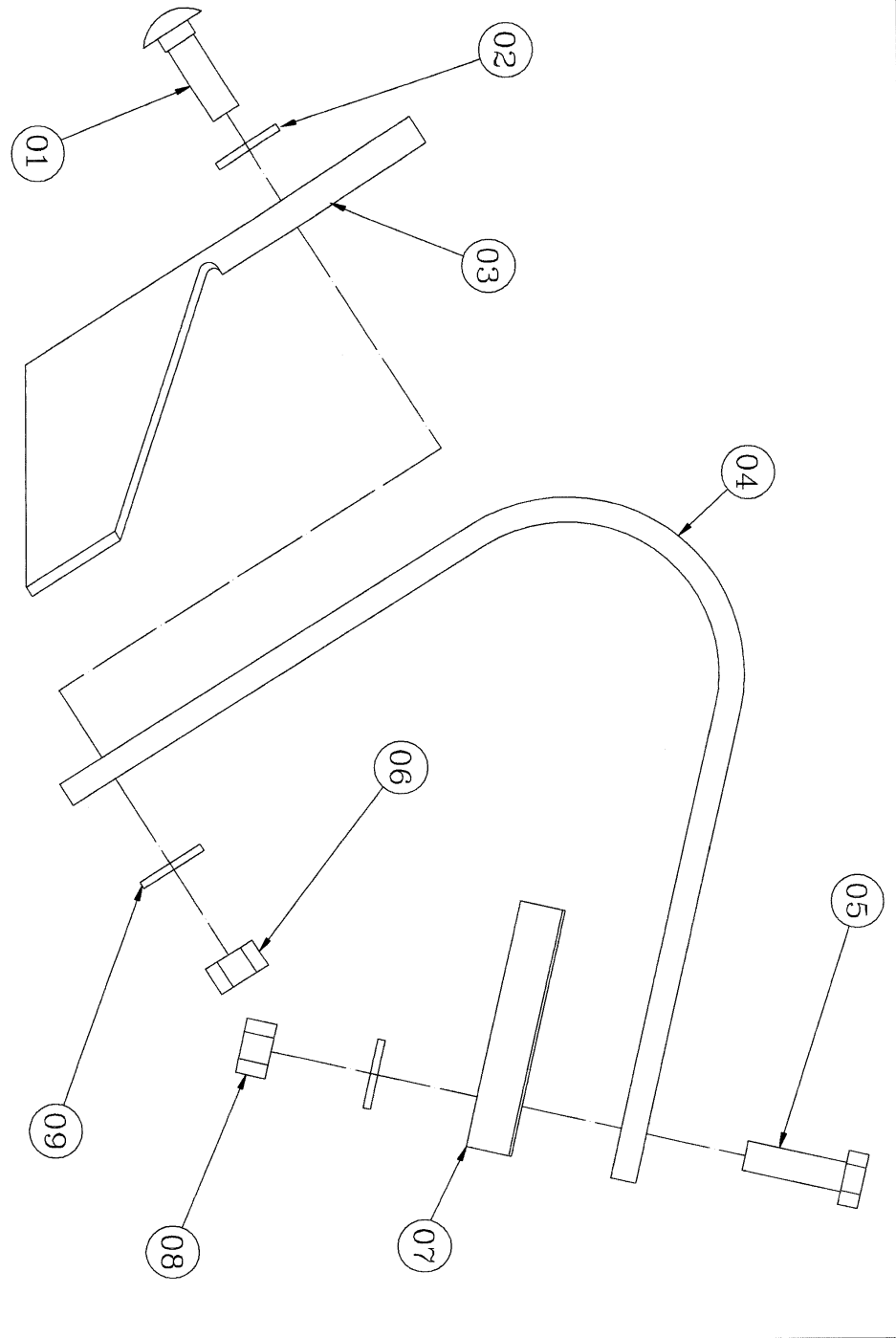
PART NUMBER


FROM SERIAL NO.

TO SERIAL NO.

ISSUE

DRAWING NO.
SP0509



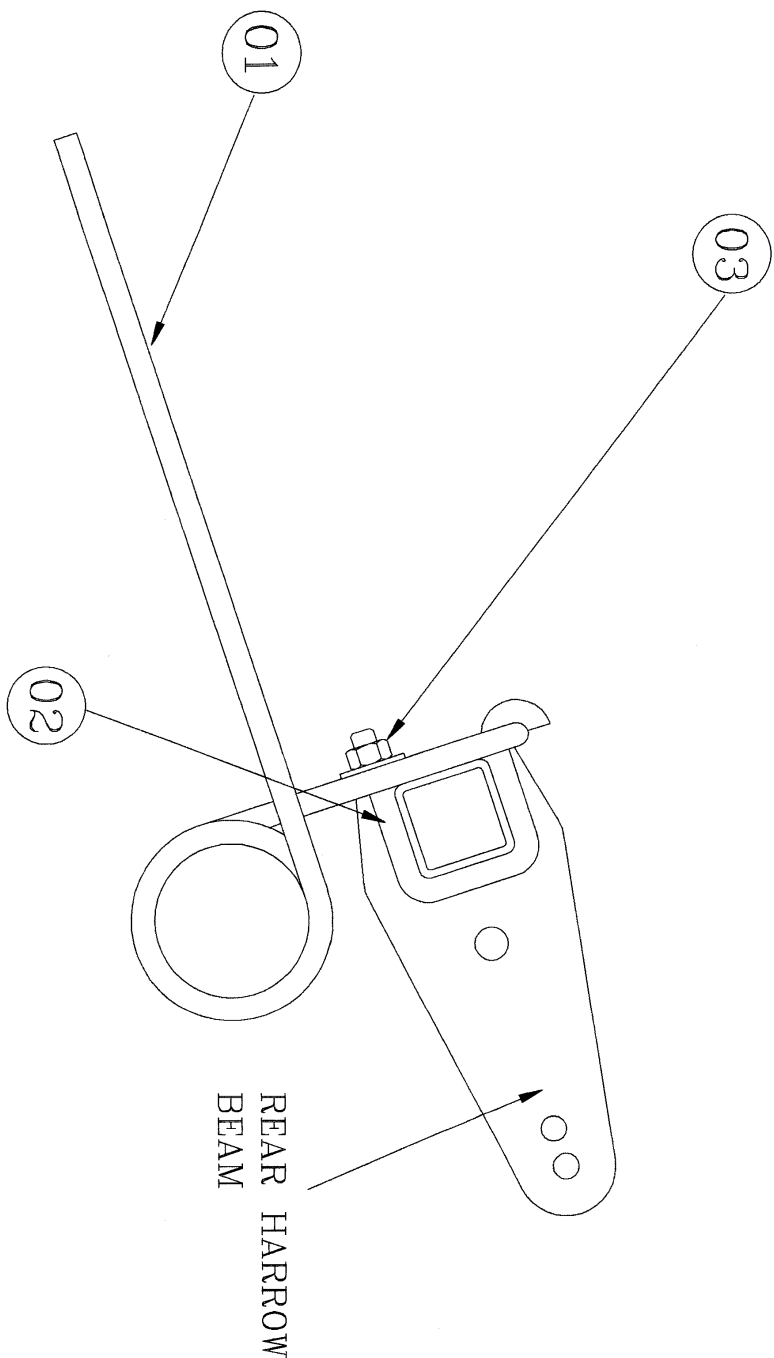
SP0509		Sprung Leaf Coverer Assembly (P08896)	
Ref. No.	Part No.	Description	
1	P01737	M12x30 DOME BOLT	
2	P02602	M16 FLAT WASHER	
3	P08410	COVERER POINT	
4	P08409	SPRUNG LEAF	
5	P00003	M12x40 BOLT	
6	P02004	M12 PLAIN NUT	
7	P08435	MOUNTING	
8	P02007	M12 LOCK NUT	
9	P04179	M12 FLAT WASHER	



Weeder Tine Assembly

SP0133

Ref. No.	Part No.	Description
1	P01705	REAR WEEDER
2	P03923	M12 U BOLT COMPLETE WITH WASHER
3	P02007	M12 LOCK NUT



REAR HARROW WEEDER TINE ARRANGEMENT

DRAWN
02/03/02
UPDATED

PART NUMBER

FROM SERIAL NO. TO SERIAL NO.
7070

ISSUE

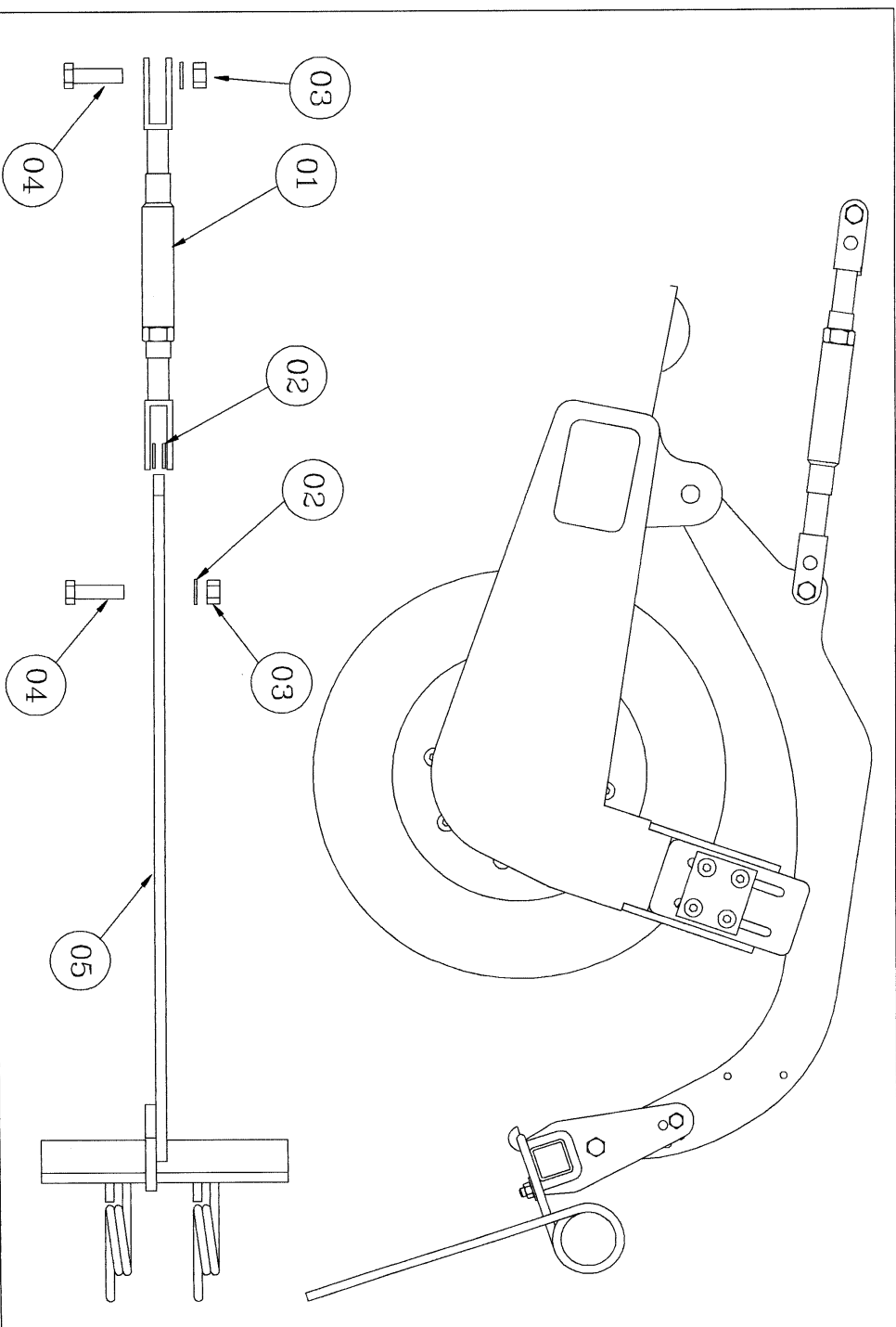
DRAWING NO.
SP0133



Rear Harrow Toplink Mounting

SP0162

Ref. No.	Part No.	Description
1	P01845	CAT 1 TOPLINK
2	P02603	M20 WASHER
3	P02009	M20 LOCK NUT
4	P00874	M20x70 BOLT
5	P06836	REAR HARROW ARM



FREEFLOW - REAR HARROW TOPLINK MTG

UPDATED
05/03/02

FROM SERIAL NO.

TO SERIAL NO.

ISSUE

DRAWING NO.
SP0162

FREEFLOW BOUTMARKER DISC ARM

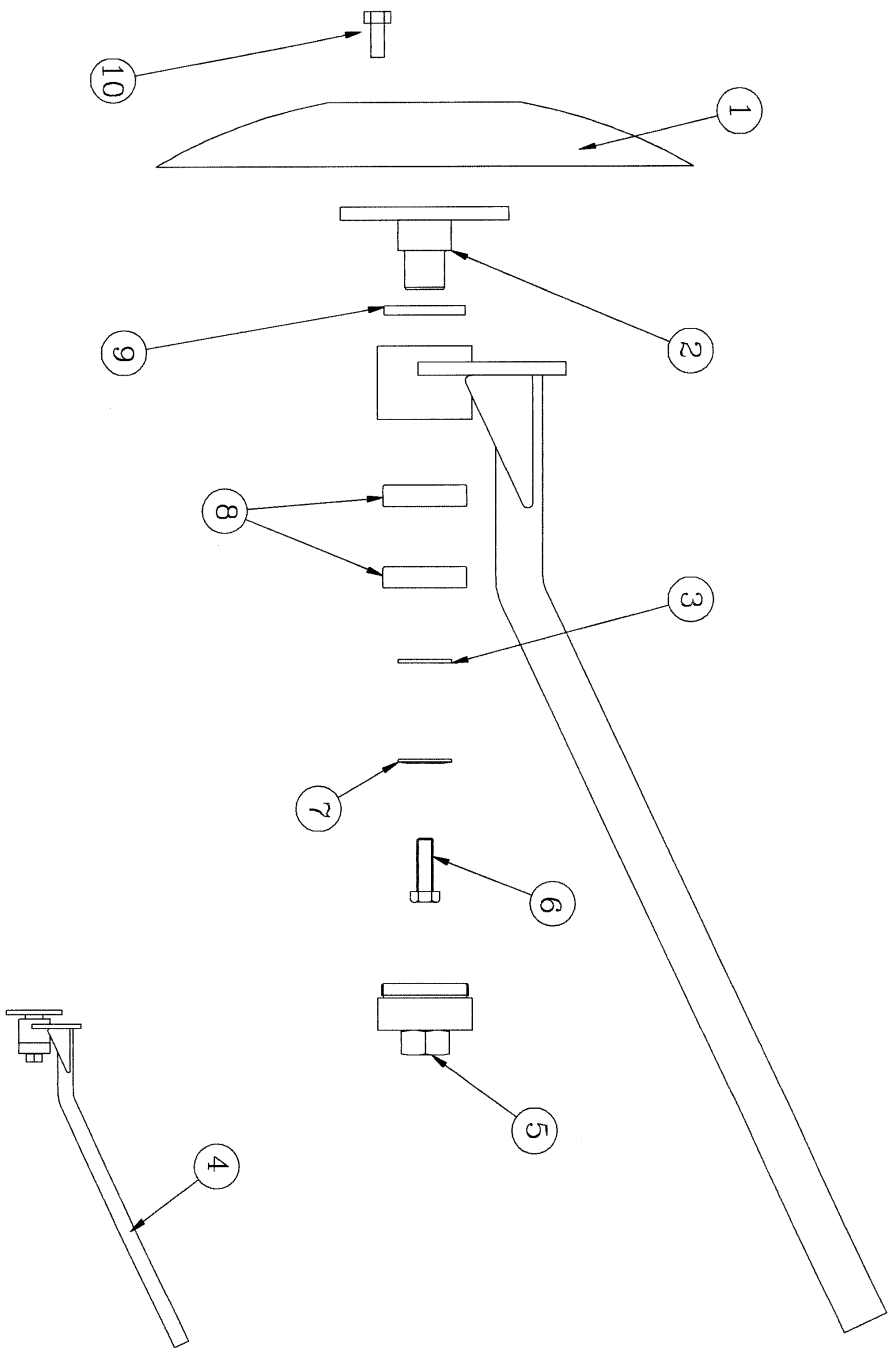
UPDATED
26/07/00


FROM SERIAL NO.

TO SERIAL NO.

ISSUE

DRAWING NO.
SP0177



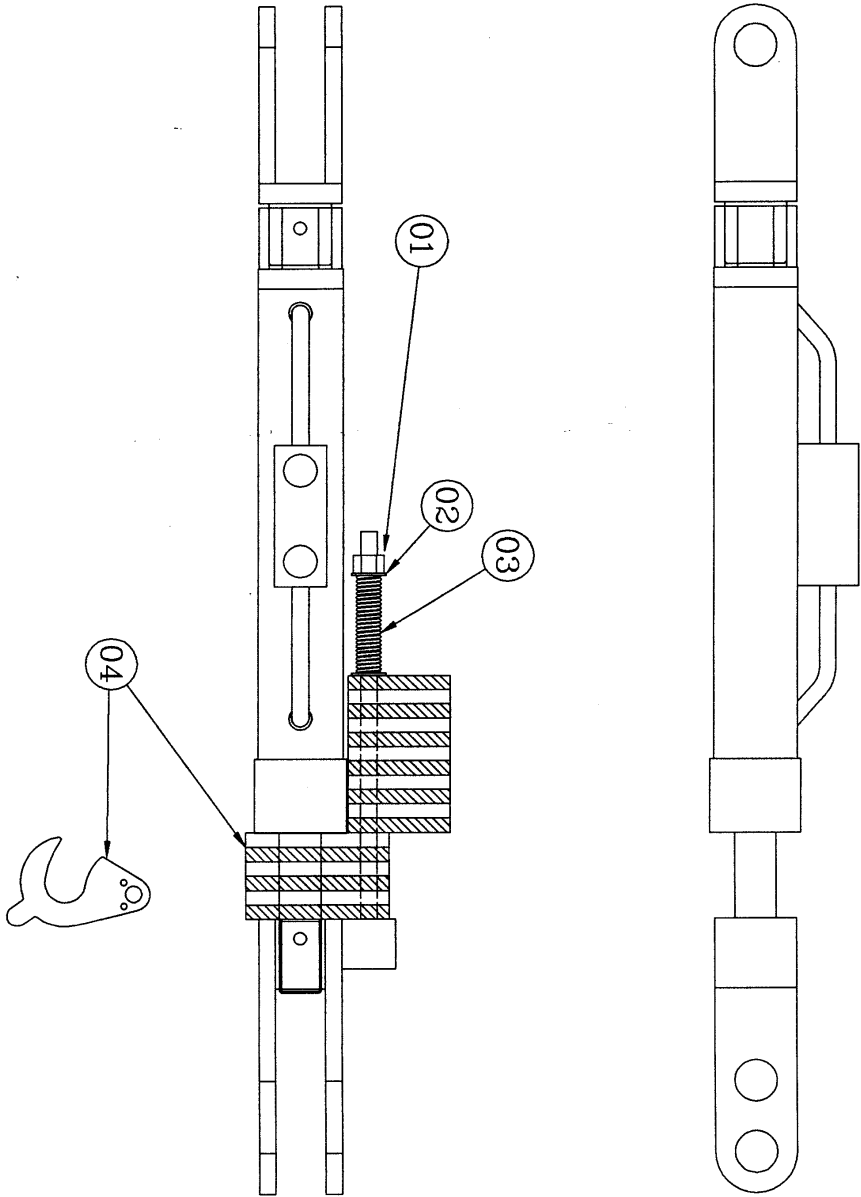
SP0177		Freeflow Boutmarker Arm	
Ref. No.	Part No.	Description	
1	P05452	MARKER DISC	
2	P06468	HUB SPINDLE	
3	P02601	M12 FLAT WASHER	
4	P05356	DISC ARM COMPLETE (NOT INC. DISC)	
5	P06469	HUB CAP	
6	P06471	M12 SET SCREW	
7	P06472	BELLEVILLE WASHER	
8	P06845	BEARING	
9	P06470	SEAL	
10	P06651	M10 DISC BOLT	



Hydraulic Depth Adjuster

SP1159

Ref. No.	Part No.	Description	Qty.
1	P05534	M10 NYLOC NUT	1
2	P02600	M10 FLAT WASHER	1
3	P08803	SPRING	1
4	P08775	YELLOW SHIM	8
	P08776	BLACK SHIM	9



HYDRAULIC DEPTH ADJUSTER

DATE
10/04/02
UPDATED

PART NUMBER
P8136

FROM SERIAL NO. TO SERIAL NO.

ISSUE

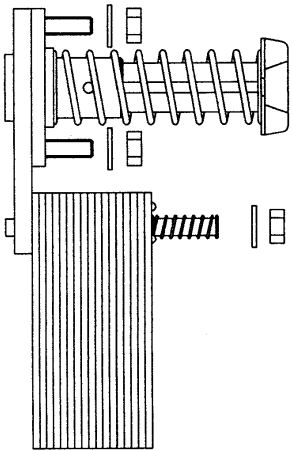
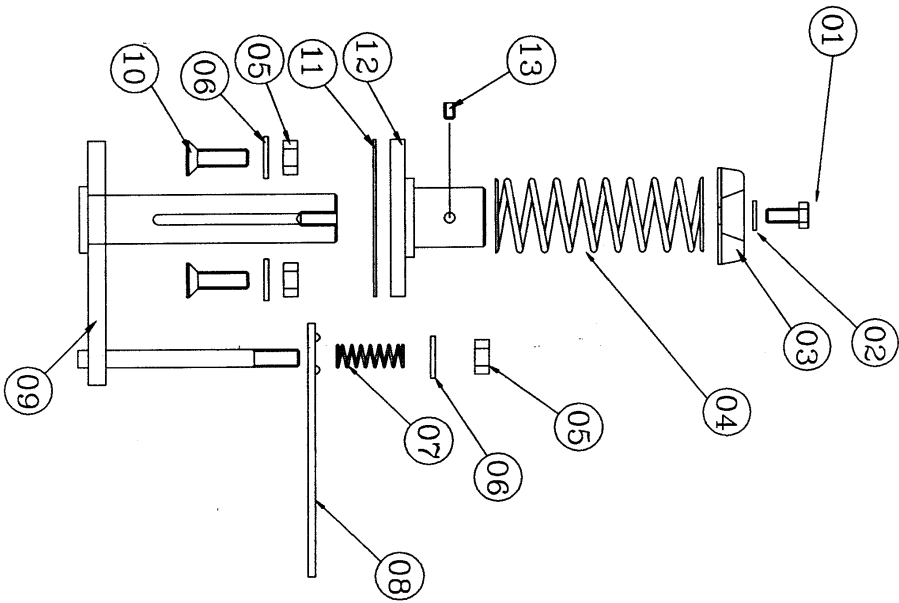
DRAWING NO.
SP1159



Rear Depth Control Bolt Assembly

SP0597

Ref. No.	Part No.	Description	Qty.
1	P02789	M8x20 BOLT	1
2	P08817	M8 SPRING WASHER	1
3	P08689	RUBBER PAD	1
4	P08688	SPRING	1
5	P05534	M10 LOCK NUT	3
6	P02600	M10 FLAT WASHER	3
7	P08803	SPRING	1
8	P08679	SHIM - YELLOW	8
9	P08680	SHIM - BLACK	9
9	P08686	SHIM CARRIER	1
10	P08816	M10x35 CSK BOLT	2
11	P08807	PACKING SHIM	1
12	P08687	MOUNTING UNIT	1
13	P08818	M6x8 GRUBSCREW	1



FREEFLOW REAR DEPTH CONTROL BOLT ASSY.

DRAWN
11/2/99
UPDATED

PART NUMBER

FROM SERIAL NO.

TO SERIAL NO.

ISSUE

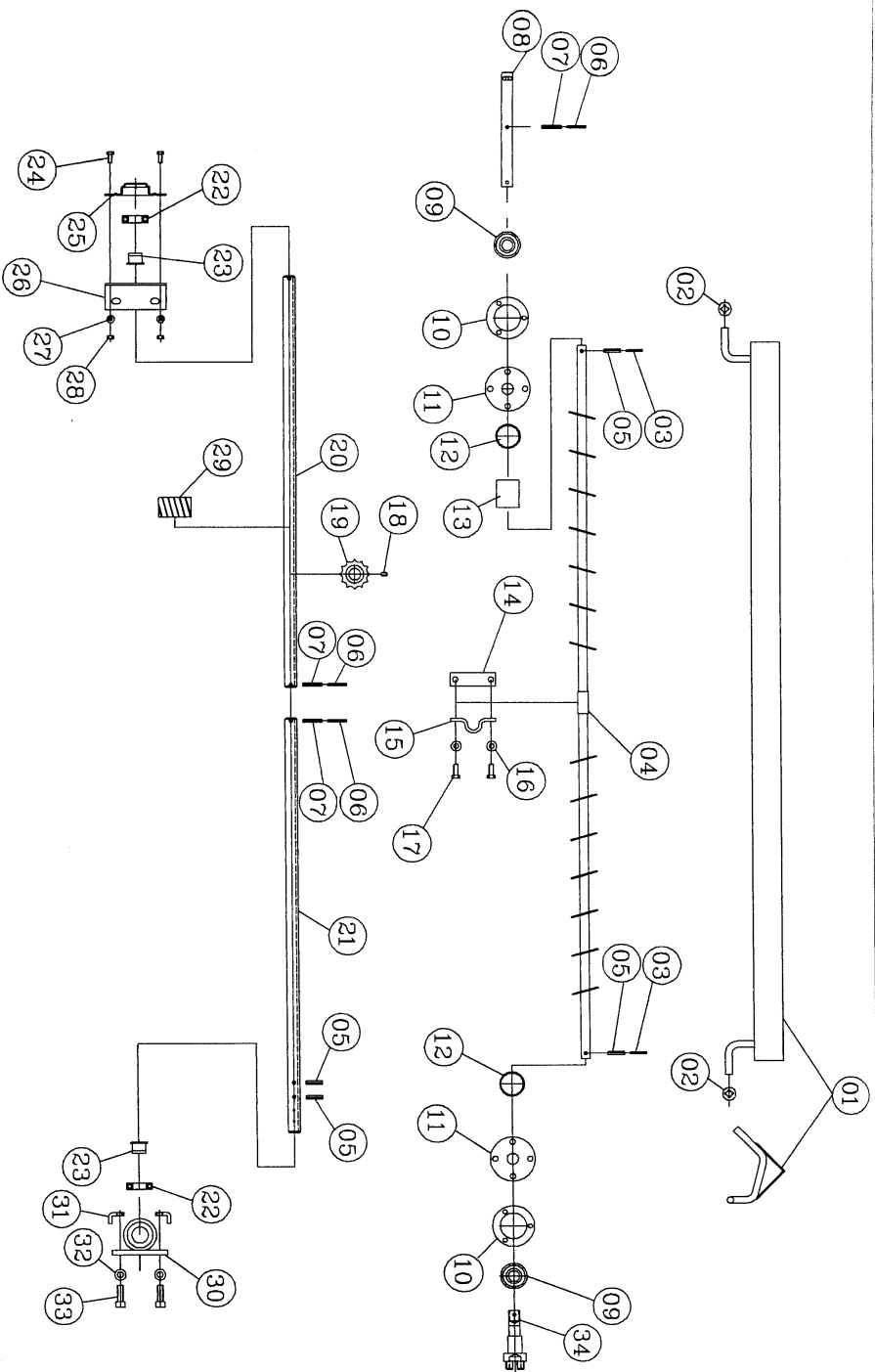
DRAWING NO.
SP0579



SP1154

3+4M Distribution Assembly

Ref. No.	Part No.	Description
1	P11444	AGITATOR COVER
2	P11445	GRIP WASHER
3	P08876	ROLL PIN 3.5x30
4	P09131	AGITATOR SHAFT
5	P08877	ROLL PIN 6x30
6	P11443	ROLL PIN 3.5x35
7	P11442	ROLL PIN 6x35
8	P08551	AGITATOR DRIVESHAFT
9	P11447	BEARING
10	P08575	MOUNTING COLLAR
11	P11448	INTERNAL BEARING
12	P11916	RING
13	P11449	SHAFT COUPLER
14	P11495	SHAFT CENTRE MOUNTING PLATE
15	P11500	SHAFT CENTRE RETAINING PLATE
16	P05535B	M8 WASHER
17	P02789	M8x20 BOLT
18	-	GRUB SCREW (PART OF P08616)
19	P08616	TRAMLINE FEED ROLLER
20	P11501	KEYED SHAFT L/H
21	P11502	KEYED SHAFT R/H
22	P08349	BEARING
23	P11310	BEARING SLEEVE
24	P11433	M6x16 BOLT
25	P11503	BEARING HOUSING
26	P11504	RETAINING PLATE
27	P05400	M6 WASHER
28	P07981	M6 LOCK NUT
29	P08870	KEYED FEED ROLLER
30	P11309	BEARING HOUSING
31	P11505	MOUNTING BRACKET
32	P02600	M10 WASHER
33	P08681	M10x20 BOLT
34	P11506	DRIVE COUPLING



3+4m Agitator Shaft Assembly

DRAWN
18/03/02
UPDATED

PART NUMBER

FROM SERIAL NO.

TO SERIAL NO.

ISSUE

DRAWING NO.
SP1154

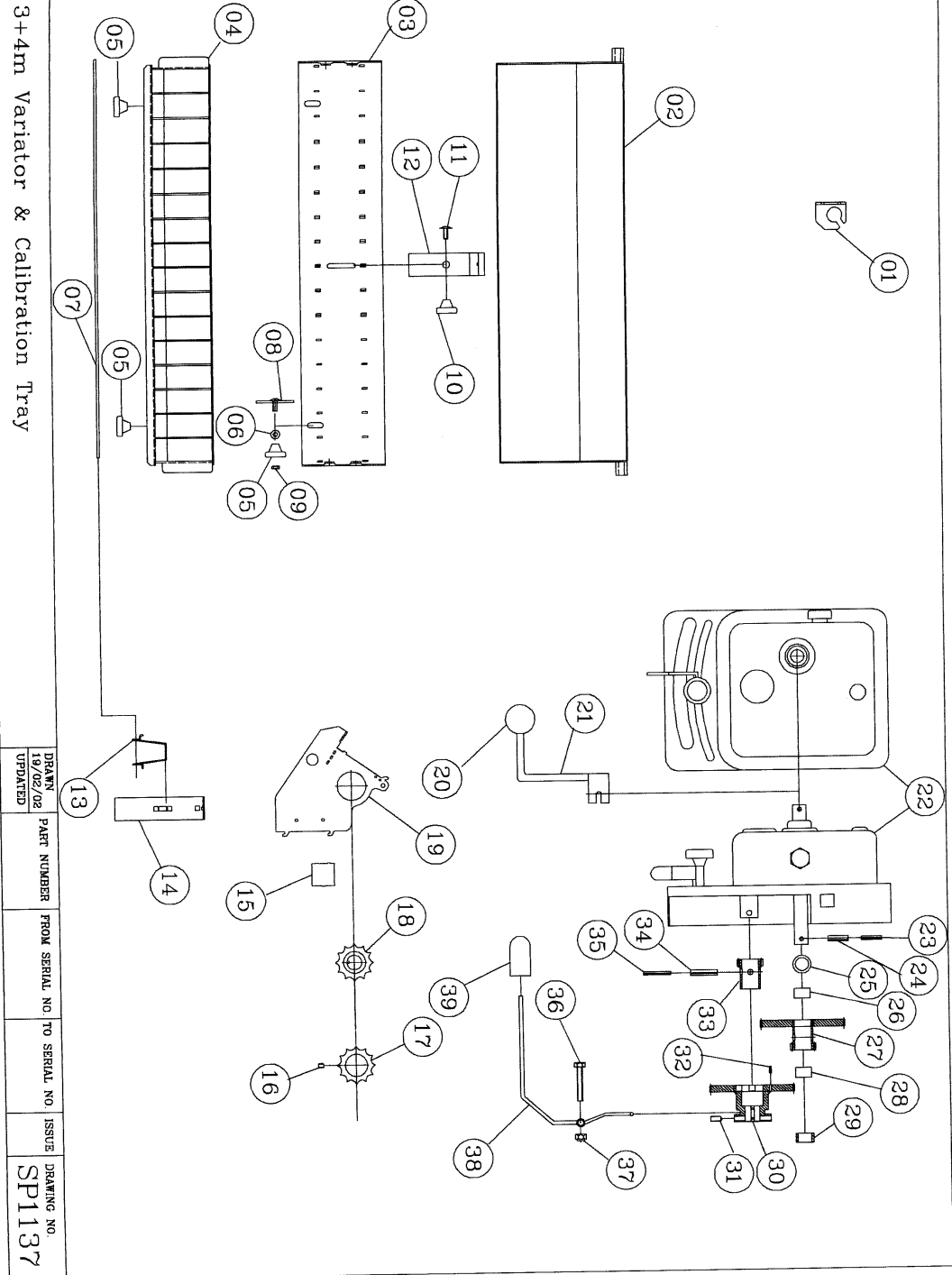


3+4m Rigid Calibration

SP1137

Ref. No.	Part No.	Description
1	P11326	CALIBRATION TRAY HANGER L/H
	P11327	CALIBRATION TRAY HANGER R/H
2	P08343	CALIBRATION TRAY
3	P11328	FACE PLATE
4	P08345	AIR DRAWER
5	P11329	KNOB
6	P05400	M6 WASHER
7	P11333	FOAM SEAL
8	P11332	AIR DRAWER LOCK PLATE
9	P07981	M6 NUT
10	P11329	KNOB
11	P11433	M6x16 BOLT
12	P11334	CALIBRATION TRAY LOCK
13	P08351	SPRING
14	P08350	SHUT OFF SLIDE
15	P11335	DIVIDER SPACER
16	-	GRUB SCREW (PART OF P08616)
17	P08616	TRAMLIN FEED ROLLER
18	P08870	KEYED FEED ROLLER
19	P11336	DIVIDER
20*	P11337	CALIBRATION HANDLE KNOB
21*	P07198	CALIBRATION HANDLE
22*	P09962	VARIATOR
23	P08877	ROLL PIN 6x30
24	P11340	ROLL PIN 8x30
25	P11341	SPACER
26	P11342	SPACER
27	P11343	LAY SHAFT PINION
28	P11342	SPACER
29	P11345	SPACER
30	P11346	HI/LO SELECTOR PINION
31	P11347	DÉTENTE ADJUSTER
32	P11348	ROLL PIN 3x15
33	P11349	DRIVE COLLAR
34	P11344	ROLL PIN 8x40
35	P11432	ROLL PIN 6x40
36	P03482	M8x50 BOLT
37	P05213	M8 NUT
38	P11434	HI/LO SELECTOR HANDLE
39	P11435	HI/LO SELECTOR HANDLE KNOB

* NOTE:- On Electric Drive models a gearbox (P11647) replaces these parts.



3+4m Variator & Calibration Tray

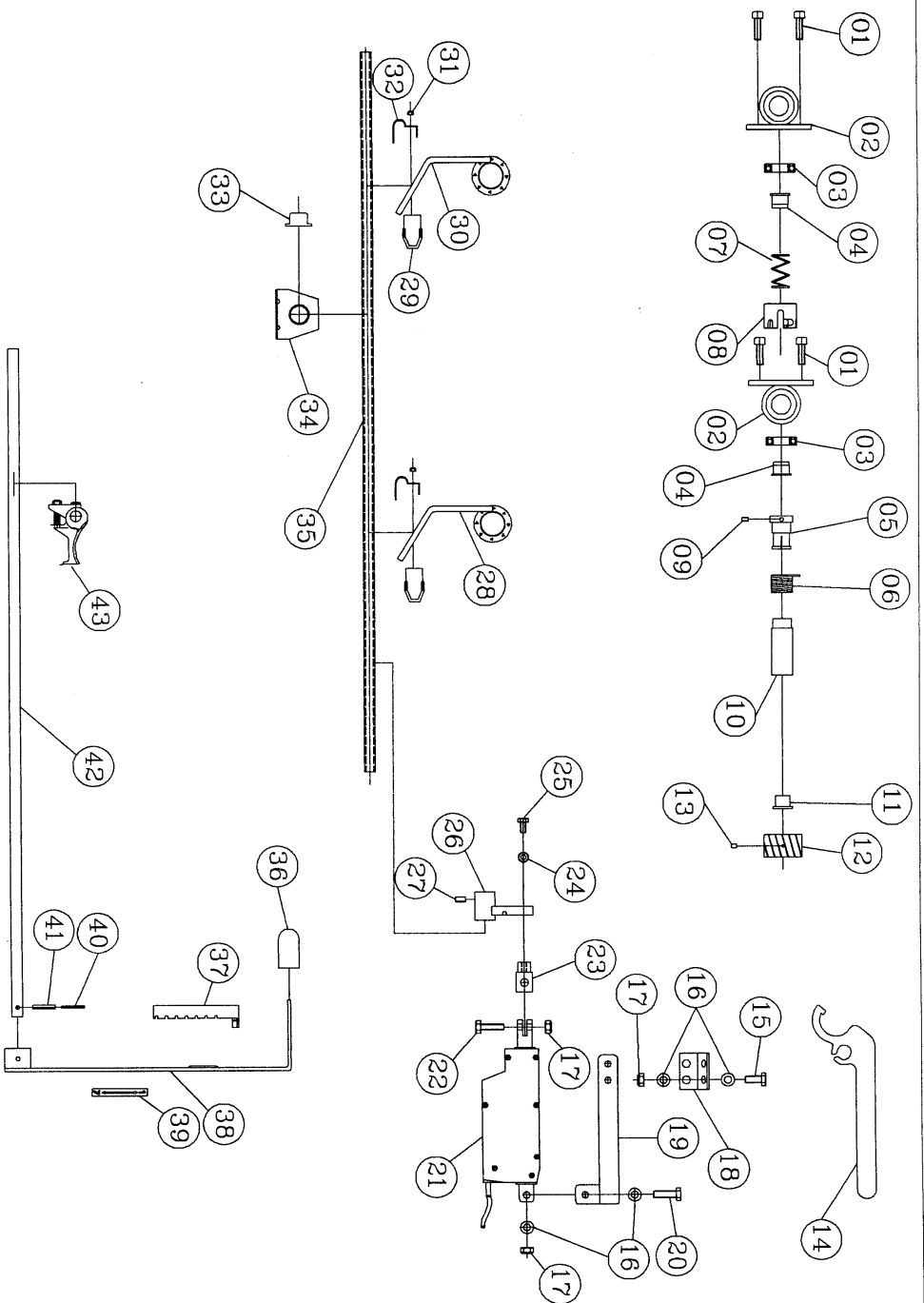
DRAWING NO. SP1137
 ISSUE
 TO SERIAL NO.
 FROM SERIAL NO.
 PART NUMBER
 DRAWN 19/02/02
 UPDATED



3+4m Tramlining Parts

SP1140

Ref. No.	Part No.	Description
1	P06403	BOLT M10x20
2	P11309	BEARING HOUSING
3	P08349	BEARING
4	P11310	BEARING SLEEVE
5	P08780	TRAMLINE SPRING SLEEVE
6	P11311	TRAMLINE SPRING
7	P07115	TRAMLINE SPRING
8	P11312	HALF WIDTH DRIVE COLLAR
9	P09513	GRUB SCREW M6x10
10	P11313	TRAMLINE ROLLER SLEEVE
11	P08574	TRAMLINE ROLLER SLEEVE INTERNAL COLLAR
12	P08616	TRAMLINE FEED ROLLER
13	-	GRUB SCREW (PART OF P08616)
14	P11314	SPANNER
15	P11436	BOLT M14x25
16	P02600	M10 WASHER
17	P05534	M10 NUT
18	P11315	HOPPER MOUNTING BRACKET
19	P11316	LINEAR ACTUATOR BRACKET
20	P00003	BOLT M12x40
21	P07691	LINEAR ACTUATOR
22	P11437	BOLT M10x35
23	P11317	LINEAR ACTUATOR BRACKET ADAPTOR
24	P05535	M8 WASHER
25	P11438	BOLT M8x16
26	P09152	BRACKET
27	P09153	SCREW
28	P11318	TRAMLINE CONTROL LEVER
29	P11330	TRAMLINE CONTROL LEVER RETAINING CLIP
30	P11318	TRAMLINE CONTROL LEVER
31	P11439	M5 NUT
32	P11331	TRAMLINE CONTROL LEVER RETAINING CLIP
33	P11440	PLAIN BEARING
34	P11441	ACTUATOR ROD SUPPORT
35	P11319	KEYED DRIVE SHAFT
36	P11320	ADJUSTER LEVER KNOB
37	P11321	METERING FLAP POSITIONER
38	P11322	ADJUSTER LEVER
39	P11323	1-7 STICKER
40	P11443	ROLL PIN 3.5x35
41	P11442	ROLL PIN 6x35
42	P11324	METERING SHAFT
43	P11325	METERING ROLLER FLAP



3+4m Rigid Freeflow Tramlining Parts

DRAWN
12/02/02
UNPAIRED

PART NUMBER

FROM SERIAL NO.

TO SERIAL NO.

ISSUE

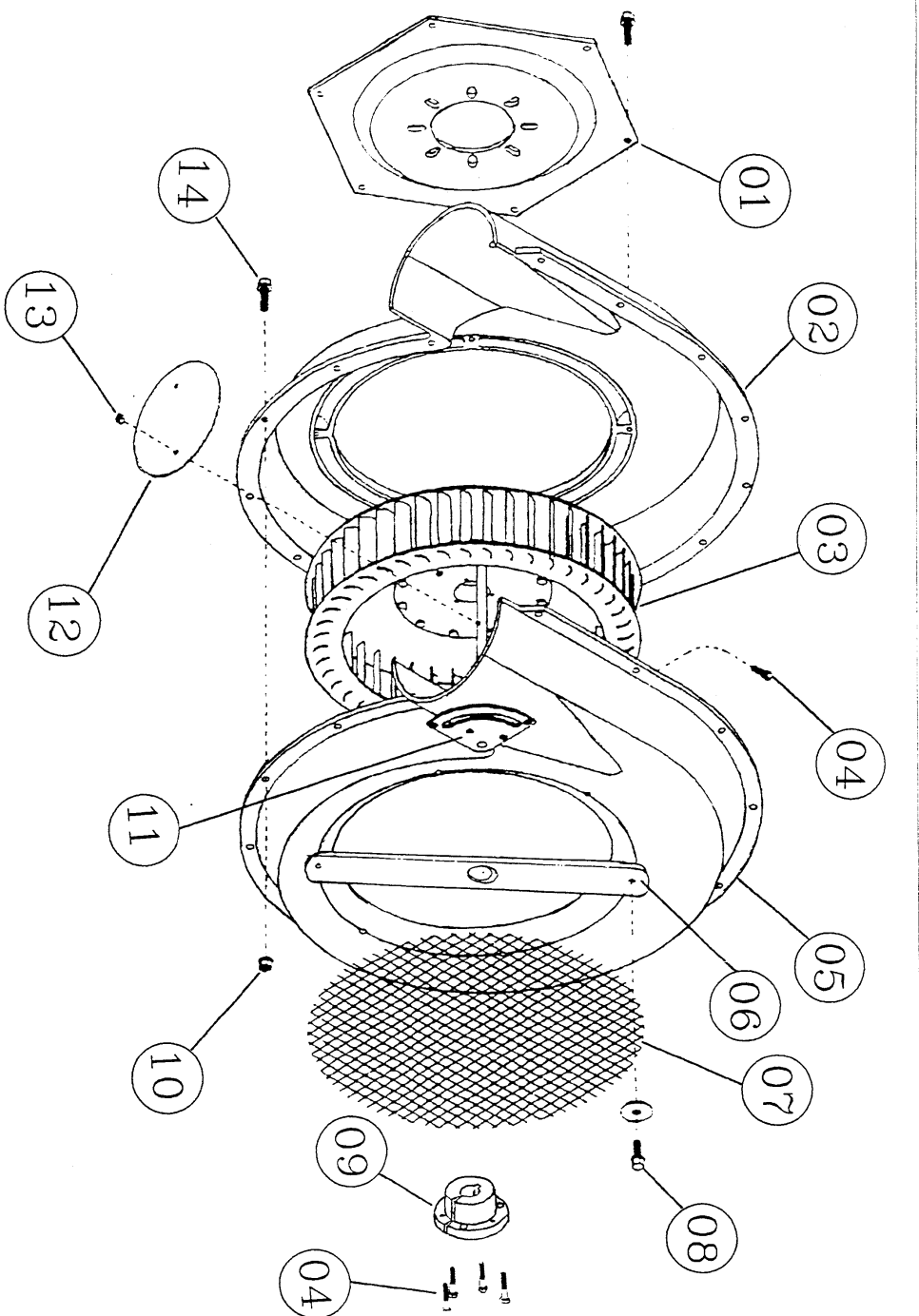
DRAWING NO.
SP1140



Crary Fan

SP1136

Ref. No.	Part No.	Description
1	P11522	MOTOR MOUNT
2	P11523	REAR FAN COWLING
3	P11524	IMPELLER
4	P11525	BOLT 10-24x1"
5	P11526	FRONT FAN COWLING
6	P11527	FAN SPEED SENSOR MOUNTING BRACKET
7	P11528	SCREEN
8	P11529	M6x20 SELF TAP BOLT
9	P11530	MAGNET MOUNT
10	P07981	M6 LOCK NUT
11	P11531	BUTTERFLY CONTROL ARM
12	P11532	BUTTERFLY
13	P11533	NUT 10-24
14	P10293	M6x20 BOLT



CRARY FAN ASSEMBLY

DRAWN
06/09/02
UPDATED

PART NUMBER

FROM SERIAL NO. TO SERIAL NO. ISSUE

DRAWING NO.
SP1136

Hydraulic Cylinders

Part No.	Description	Location
P03008	Ø85x400	FOLD CIRCUIT
P07637	2"x1.125"	BOUTMARKER CIRCUIT
P08137	3.75"x200	LIFT CIRCUIT
P08136	HYDRAULIC DEPTH ADJUSTER	DEPTH CONTROL

Manual Seed Drive Sensors

Part No.	Description	Location
P06575	METAL REED TYPE SENSOR	BOUTMARKER/FAN
P07637	BARREL TYPE SENSOR	HOPPER
P07431	JOYSTICK TYPE SENSOR	HOPPER

Manual Seed Drive Magnets

Part No.	Description	Location
P06682	STRIP MAGNET	PRE-2000 BOUTMARKER
P06695	RING MAGNET	BLACK FAN MOTOR
P08357	CAM MAGNET	AGITATOR SHAFT
P08358	8 MAGNET RING	FLUTED ROLLER SHAFT
P09197	FAN MAGNET	CRARY FAN MOTOR
P10388	PLASTIC COATED MAGNET	2000 BOUTMARKER